

93 Ohm Flexible RG62 Coax Cable Single Shielded with Black PVC Jacket

TECHNICAL DATA SHEET

RG62A/U

93 Ohm Flexible RG62 Coax Cable Single Shielded with Black PVC Jacket

Configuration

Inner Conductor Material and Plating	Copper Clad Steel
Dielectric Type	PE (AS)
Shield Materials	Copper Braid
Jacket Material and Color	PVC, Black

Electrical Specifications

Impedance, Ohms	93
Velocity of Propagation, %	83
Maximum Operating Frequency, MHz	1000
RF Shielding, dB	45
Capacitance, pF/ft [pF/m]	14.5 [47.57]

Electrical Specifications by Frequency

Frequency 1

Frequency, MHz	10
Attenuation, dB/100ft [dB/100m]	0.9 [2.95]

Frequency 2

Frequency, MHz	200
Attenuation, dB/100ft [dB/100m]	3.8 [12.47]

Frequency 3

Frequency, MHz	1000
Attenuation, dB/100ft [dB/100m]	8.7 [28.54]

Mechanical Specifications

Temperature

Operating Range, deg C	-40 to +80
------------------------	------------

Inner Conductor

Number of Strands	1
Material	Copper Clad Steel
Diameter, in [mm]	0.025 [0.64]

Dielectric:

Type	PE (AS)
Diameter, in [mm]	0.146 [3.71]

Click the following link (or enter part number in "SEARCH" on website) to obtain additional part information including price, inventory and certifications: [93 Ohm Flexible RG62 Coax Cable Single Shielded with Black PVC Jacket RG62A/U](#)

The information contained in this document is accurate to the best of our knowledge and representative of the part described herein. It may be necessary to make modifications to the part and/or the documentation of the part, in order to implement improvements. Pasternack reserves the right to make such changes as required. Unless otherwise stated, all specifications are nominal.

93 Ohm Flexible RG62 Coax Cable Single
Shielded with Black PVC Jacket

TECHNICAL DATA SHEET

RG62A/U

Shield:

Number of	1
Material 1	Copper Braid

Jacket:

Material	PVC
Diameter, in [mm]	0.242 [6.15]
Color	Black
One Time Minimum Bend Radius, in [mm]	2.5 [63.5]
Weight, lbs/ft [Kg/m]	0.038 [0.06]

Compliance Certifications (visit www.Pasternack.com for current document)

Plotted and Other Data

Notes: Values at 25 °C, sea level

93 Ohm Flexible RG62 Coax Cable Single Shielded with Black PVC Jacket from Pasternack Enterprises has same day shipment for domestic and International orders. Our RF, microwave and fiber optic products maintain a 99% availability and are part of the broadest selection in the industry.

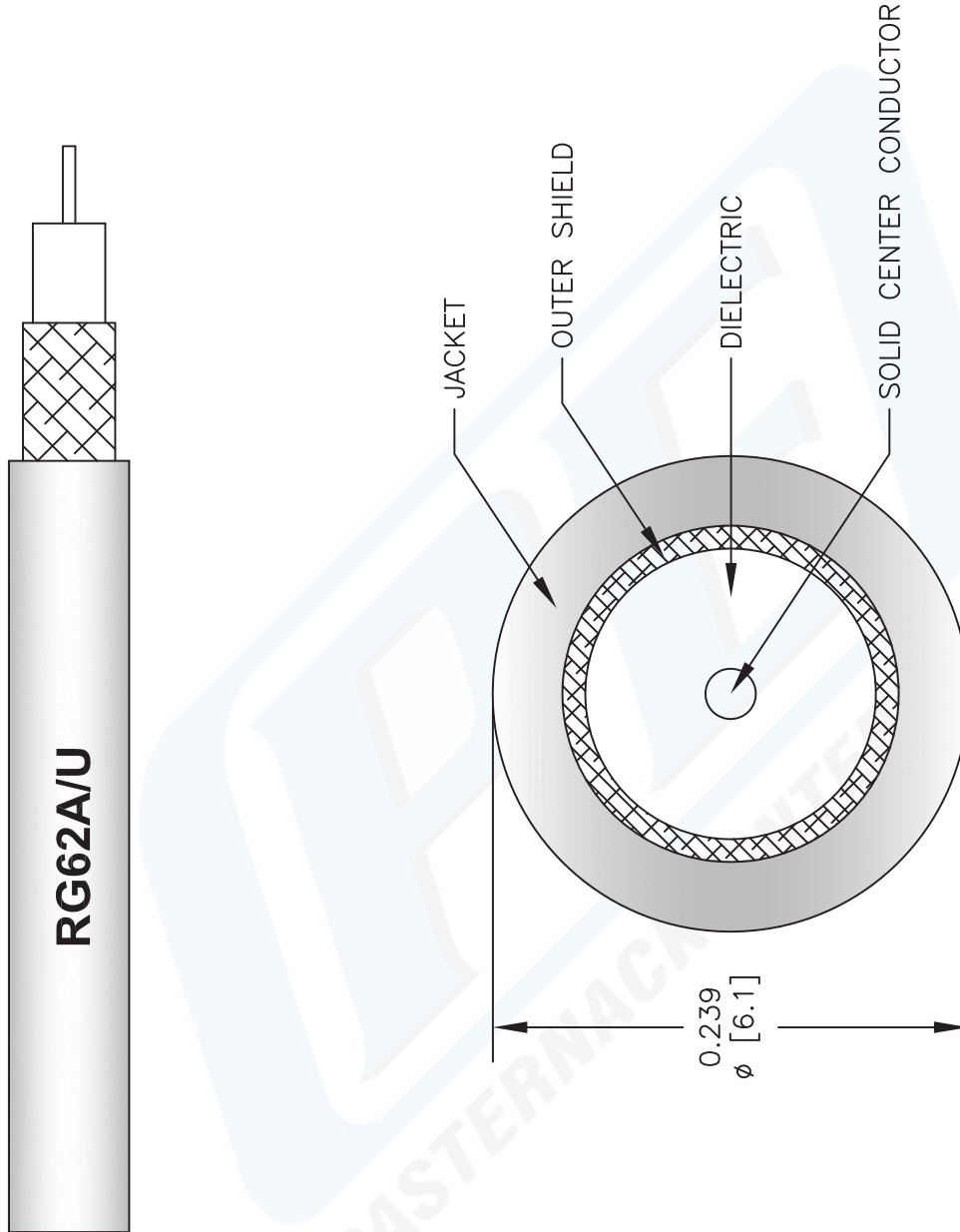
Click the following link (or enter part number in "SEARCH" on website) to obtain additional part information including price, inventory and certifications: [93 Ohm Flexible RG62 Coax Cable Single Shielded with Black PVC Jacket RG62A/U](#)

URL: <http://www.pasternack.com/flexible-0.242-rg62-93-ohm-coax-cable-pvc-jacket-rg62a-u-p.aspx>

The information contained in this document is accurate to the best of our knowledge and representative of the part described herein. It may be necessary to make modifications to the part and/or the documentation of the part, in order to implement improvements. Pasternack reserves the right to make such changes as required. Unless otherwise stated, all specifications are nominal.

RG62A/U CAD Drawing

93 Ohm Flexible RG62 Coax Cable Single Shielded with Black PVC Jacket



NOTES:
 1. UNLESS OTHERWISE SPECIFIED ALL DIMENSIONS ARE NOMINAL.
 2. ALL SPECIFICATIONS ARE SUBJECT TO CHANGE WITHOUT NOTICE AT ANY TIME.
 3. DIMENSIONS ARE IN INCHES [mm].

DWG TITLE
RG62A/U

FSCM NO. 53919

2233

SIZE A

SCALE N/A

CAD FILE 121912-B

PE PASTERNAK®
 Pasternack Enterprises, Inc.
 P.O. Box 16759 | Irvine | CA | 92623
Phone: (949) 261-1920 | **Fax:** (949) 261-7451
Website: www.pasternack.com | **E-Mail:** sales@pasternack.com