



WR-42, WR-34 Waveguide Electrically Conductive Gasket kit Square Cover, Choke Flange

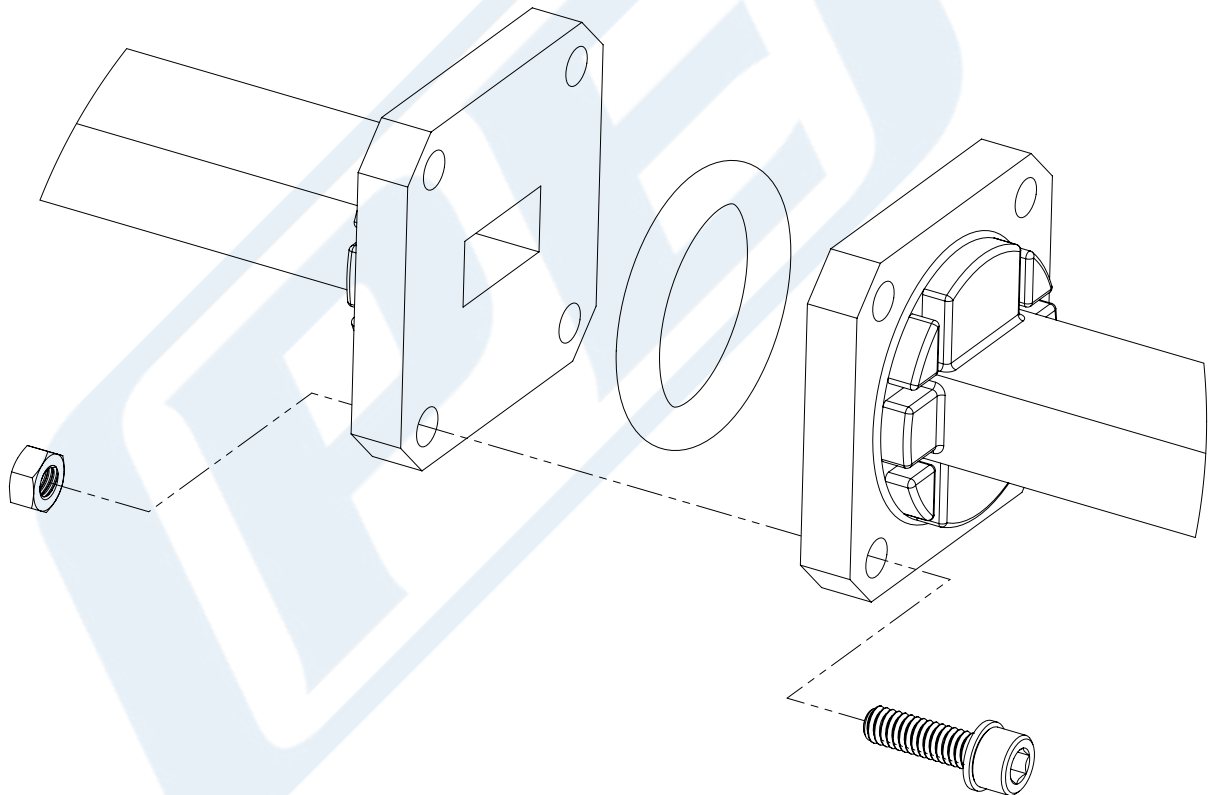
Waveguide Accessories Technical Data Sheet

PEWGK1015

Description

This is a gasket kit consisting of a conductive gasket, stainless steel screws, nuts, and washers to connect two waveguide flanges together. The PEWGK1015 is the kit made expressly for WR-34, WR-42 Square Cover/Choke waveguide flange. The gasket is made of Shore "A" 85 silver-plated copper impregnated silicone elastomer. The screws, nuts and washers are made of stainless steel.

Pasternack has waveguide gaskets (both conductive and non-conductive), screws and other accessories that you need for your waveguides. Often people can forget to order items like screws or waveguide supports. Pasternack has a full line of waveguide accessories available for same day shipment so that you do not have to wait for weeks to get your system working.

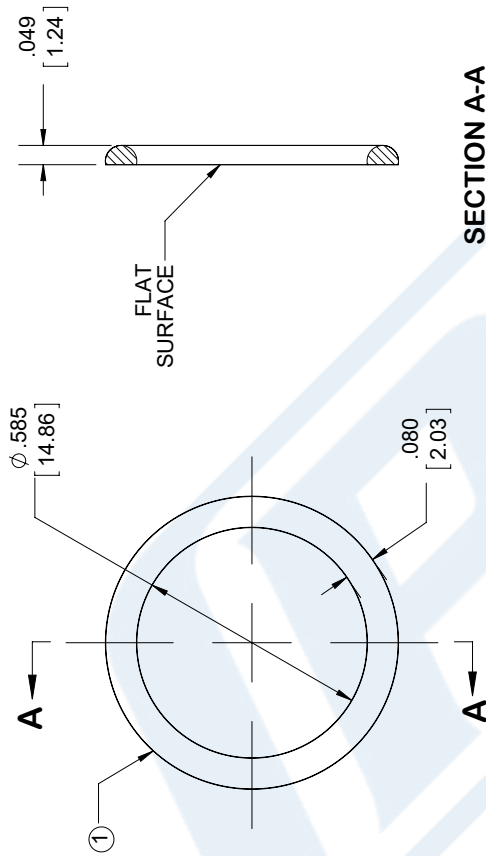


Click the following link (or enter part number in "SEARCH" on website) to obtain additional part information including price, inventory and certifications: [WR-42, WR-34 Waveguide Electrically Conductive Gasket kit Square Cover, Choke Flange PEWGK1015](#)

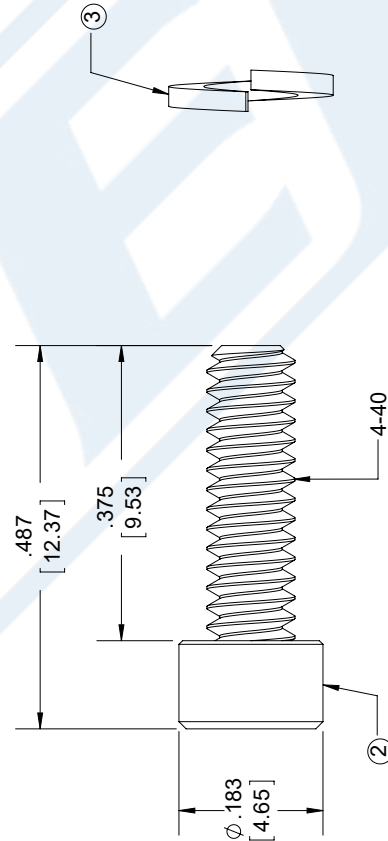
PEW GK1015 CAD Drawing

WR-42, WR-34 Waveguide Electrically Conductive Gasket kit Square Cover, Choke Flange

ITEM NO.	DESCRIPTION	QTY.
1	GASKET	1
2	4-40 X 3/8", SCREW	4
3	#4 SPLIT LOCK WASHER	4



SECTION A-A



STANDARD TOLERANCES

.X ± 0.2
 .XX ± 0.01
 .XXX ± 0.005

*STANDARD TOLERANCES APPLY ONLY TO DIMENSIONS IN INCHES



Pasternack Enterprises, Inc.
 P.O. Box 16759 | Irvine | CA | 92623
 Phone: (949) 261-1920 | Fax: (949) 261-7451
 Website: www.pasternack.com | E-Mail: sales@pasternack.com

DWG TITLE

PEW GK1015

CAGE CODE 53919

NOTES:
 1. UNLESS OTHERWISE SPECIFIED ALL DIMENSIONS ARE NOMINAL.
 2. ALL SPECIFICATIONS ARE SUBJECT TO CHANGE WITHOUT NOTICE AT ANY TIME
 3. DIMENSIONS ARE IN INCHES [mm].

CAD FILE 073117

SCALE N/A

SIZE A

9999