



WR-42 UG-597/U Square Cover Flange to 2.92mm Female Waveguide to Coax Adapter Operating from 18 GHz to 26.5 GHz

Waveguide to Coax Adapters Technical Data Sheet

PEWCA1019

Features

- K Band, 18 to 26.5 GHz Frequency Range
- WR-42 Waveguide Interface with UG-597/U Flange
- 2.92mm Female RF Interface
- Comprehensive waveguide offerings also include E-Bends, H-Bends, Sections, Filters, Terminations, Couplers, and more.

Description

The PEWCA1019 is a waveguide to coaxial adapter operating in the K Band with a 18 to 26.5 GHz frequency range. This adapter offers a WR-42 waveguide interface size coupled with a precision tolerance UG-597/U flange. The PEWCA1019 is constructed of aluminum to ensure durability and repeatable RF performance. The 2.92mm Female connector offered by this adapter is mechanically compatible with commercially available SMA and 3.5mm connectors.

Configuration

Waveguide Size	WR-42
Flange	UG-597/U Square Cover
RF Connector	2.92mm Female
Impedance	50 Ohms
Body Geometry	Right Angle

Electrical Specifications

Description	Minimum	Typical	Maximum	Units
Frequency Range	18		26.5	GHz
VSWR			1.25:1	
Insertion Loss			0.75	dB

Mechanical Specifications

Size	
Length	0.94 in [23.88 mm]
Width	0.88 in [22.35 mm]
Height	0.62 in [15.75 mm]
Weight	0.023 lbs [10.43 g]
RF Connector	
Connector Type	2.92mm Female
Waveguide Interface	
Waveguide Type	WR-42
Flange Type	Square Cover
Flange Designation	UG-597/U
Body Material and Plating	Copper Alloy, Chem Film

Click the following link (or enter part number in "SEARCH" on website) to obtain additional part information including price, inventory and certifications: [WR-42 UG-597/U Square Cover Flange to 2.92mm Female Waveguide to Coax Adapter Operating from 18 GHz to 26.5 GHz PEWCA1019](#)



WR-42 UG-597/U Square Cover Flange to 2.92mm Female
Waveguide to Coax Adapter Operating from 18 GHz to 26.5 GHz

Waveguide to Coax Adapters Technical Data Sheet

PEWCA1019

Plating Specification

MIL-DTL-5541

Environmental Specifications

Temperature

Operating Range

-55 to +120 deg C

Compliance Certifications (see [product page](#) for current document)

Plotted and Other Data

Notes:

- Values at +25 °C, sea level unless stated otherwise

WR-42 UG-597/U Square Cover Flange to 2.92mm Female Waveguide to Coax Adapter Operating from 18 GHz to 26.5 GHz from Pasternack Enterprises has same day shipment for domestic and International orders. Our RF, microwave and millimeter wave products maintain a 99.4% availability and are part of the broadest selection in the industry.

Click the following link (or enter part number in "SEARCH" on website) to obtain additional part information including price, inventory and certifications: [WR-42 UG-597/U Square Cover Flange to 2.92mm Female Waveguide to Coax Adapter Operating from 18 GHz to 26.5 GHz PEWCA1019](#)

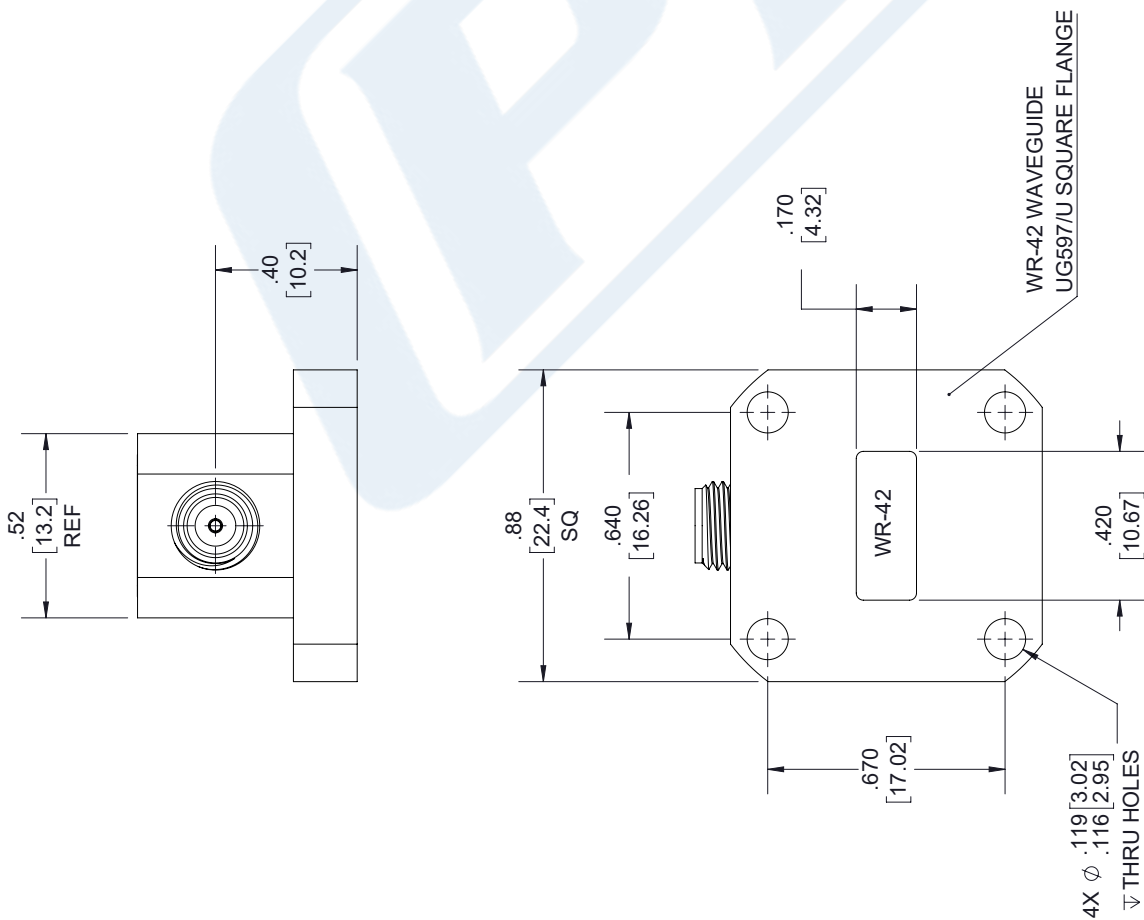
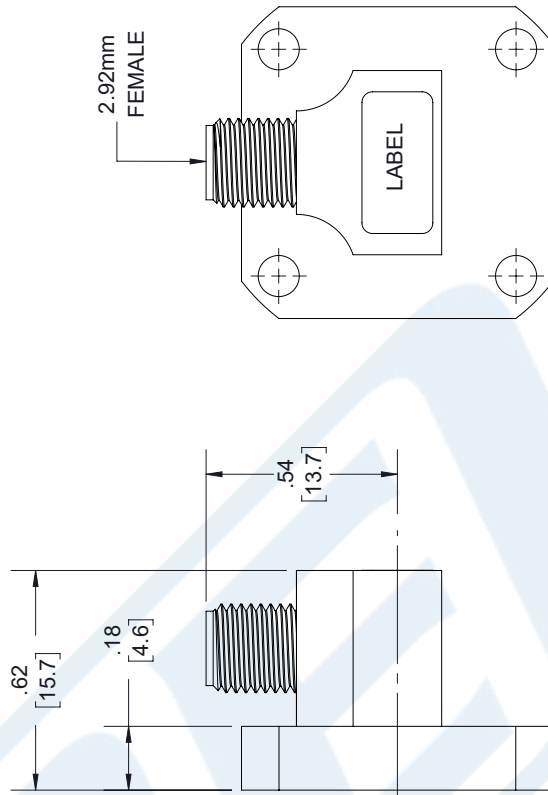
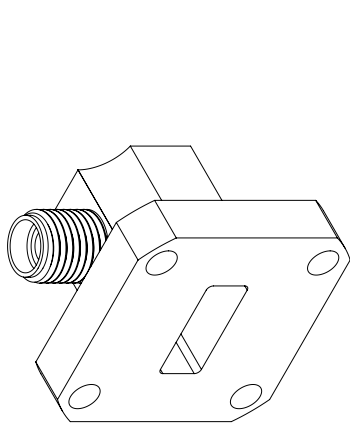
URL: <https://www.pasternack.com/wr42-ug597-square-flange-to-2.92mm-female-waveguide-coax-adapter-26.5-ghz-pewca1019-p.aspx>

The information contained in this document is accurate to the best of our knowledge and representative of the part described herein. It may be necessary to make modifications to the part and/or the documentation of the part, in order to implement improvements. Pasternack reserves the right to make such changes as required. Unless otherwise stated, all specifications are nominal. Pasternack does not make any representation or warranty regarding the suitability of the part described herein for any particular purpose, and Pasternack does not assume any liability arising out of the use of any part or documentation.

PEWCA1019 CAD Drawing

WR-42 UG-597/U Square Cover Flange to 2.92mm Female Waveguide to Coax Adapter Operating from 18 GHz to 26.5 GHz

REVISIONS			
REV.	DESCRIPTION	DATE	APPROVED
A	INITIAL RELEASE	08/08/19	J.GARCIA



<p>UNLESS OTHERWISE SPECIFIED LEADING DIMENSIONS ARE INCHES DIMENSIONS IN [] ARE MILLIMETERS</p> <p>TOLERANCES:</p> <table border="0"> <tr> <td>X±.2</td> <td>[5.08]</td> <td>FRACTIONS</td> </tr> <tr> <td>.XX±.01</td> <td>[.25]</td> <td>±.132</td> </tr> <tr> <td>.XXX±.005</td> <td>[.13]</td> <td>ANGLES ± 1°</td> </tr> </table> <p>ALL DIMENSIONS SHOWN ARE FOR REFERENCE ONLY.</p> <p>THIRD-ANGLE PROJECTION</p>	X±.2	[5.08]	FRACTIONS	.XX±.01	[.25]	±.132	.XXX±.005	[.13]	ANGLES ± 1°	<p>PE PASTERNAK an INFINITO brand</p> <p>Pasternack Enterprises, Inc. P.O. Box 16759, Irvine, CA 92623. Phone: 1.949.261.1920 1.866.727.8376 Fax: 1.949.261.7451 www.pasternack.com e-mail: sales@pasternack.com</p>	<p>THE INFORMATION AND DESIGN IN THIS DOCUMENT IS THE PROPERTY OF PASTERNAK CORPORATION. ALL RIGHTS RESERVED.</p>
	X±.2	[5.08]	FRACTIONS								
.XX±.01	[.25]	±.132									
.XXX±.005	[.13]	ANGLES ± 1°									
<p>SIZE [CAGE] DRAWN BY PART NUMBER REV</p> <p>A 53919 K.DANG PEWCA1019 A</p>	<p>SHEET 1 OF 1</p> <p>SCALE N/A</p>										

PEWCA1019
D/C: YYWW

THESE COMMODITIES, TECHNOLOGY OR SOFTWARE WERE EXPORTED FROM THE UNITED STATES IN ACCORDANCE WITH THE EXPORT ADMINISTRATION REGULATIONS. DIVERSION CONTRARY TO U.S. LAW PROHIBITED.