



WR-51 Square Cover Flange to SMA Female Waveguide to Coax Adapter Operating from 15 GHz to 22 GHz

Waveguide to Coax Adapters Technical Data Sheet

PEWCA1002A

Features

- N Band
- 15 to 22 GHz Frequency Range
- WR-51 Waveguide
- Square Cover Flange
- SMA Female RF Interface

Applications

- Test Benches
- Radar
- Satellite
- Microwave Radio Systems
- Military and Space
- Communication Systems

Description

The PEWCA1002A is a waveguide to coaxial adapter operating in the N Band with a 15 to 22 GHz frequency range. This adapter offers a WR-51 waveguide interface size using a standard Square Cover Flange. The PEWCA1002A is constructed of Copper Alloy and painted to ensure durability. The coaxial connector offered by this adapter uses a SMA Female Nickel Plated Brass Connector.

Configuration

Waveguide Size	WR-51
Flange	Square Cover
RF Connector	SMA Female
Impedance	50 Ohms
Body Geometry	Right Angle

Electrical Specifications

Description	Minimum	Typical	Maximum	Units
Frequency Range	15		22	GHz
VSWR		1.25:1		

Mechanical Specifications

Weight	0.172 lbs [78.02 g]
RF Connector	
Connector Type	SMA Female
Body Material and Plating	Brass, Nickel
Waveguide Interface	
Waveguide Type	WR-51
Flange Type	Square Cover
Body Material and Plating	Copper, Paint

Click the following link (or enter part number in "SEARCH" on website) to obtain additional part information including price, inventory and certifications: [WR-51 Square Cover Flange to SMA Female Waveguide to Coax Adapter Operating from 15 GHz to 22 GHz PEWCA1002A](#)



WR-51 Square Cover Flange to SMA Female Waveguide to Coax Adapter Operating from 15 GHz to 22 GHz

Waveguide to Coax Adapters Technical Data Sheet

PEWCA1002A

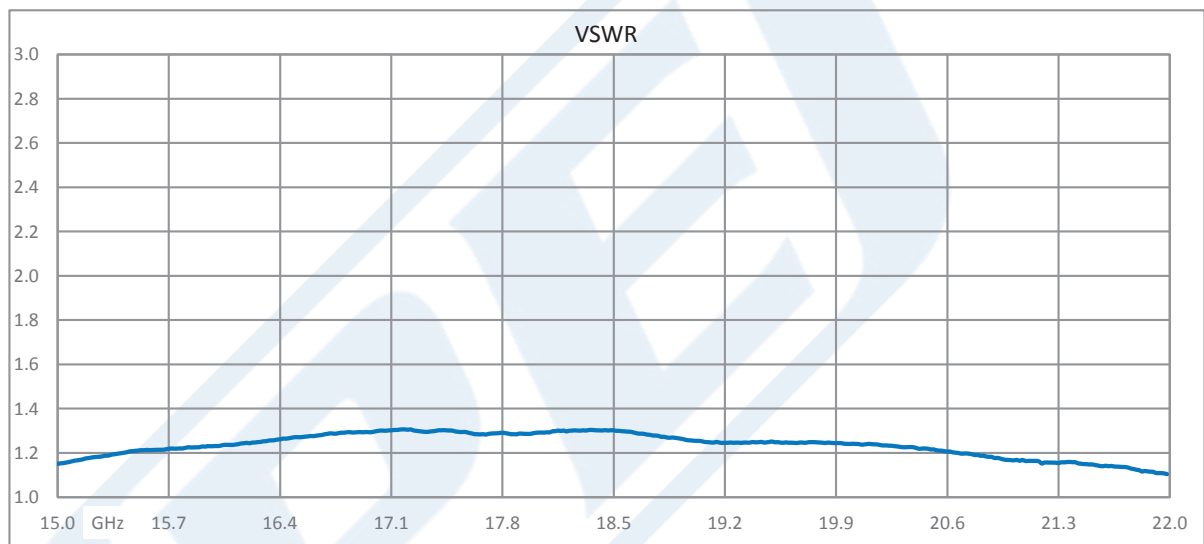
Compliance Certifications (see [product page](#) for current document)

Plotted and Other Data

Notes:

- Values at +25 °C, sea level unless stated otherwise

Typical Performance Data



WR-51 Square Cover Flange to SMA Female Waveguide to Coax Adapter Operating from 15 GHz to 22 GHz from Pasternack Enterprises has same day shipment for domestic and International orders. Our RF, microwave and millimeter wave products maintain a 99.4% availability and are part of the broadest selection in the industry.

Click the following link (or enter part number in "SEARCH" on website) to obtain additional part information including price, inventory and certifications: [WR-51 Square Cover Flange to SMA Female Waveguide to Coax Adapter Operating from 15 GHz to 22 GHz PEWCA1002A](#)

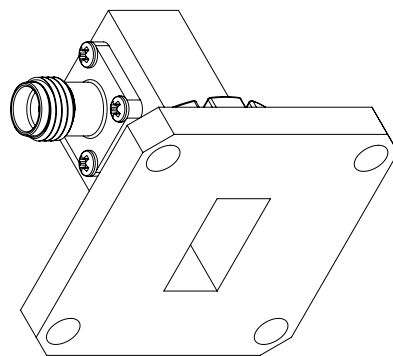
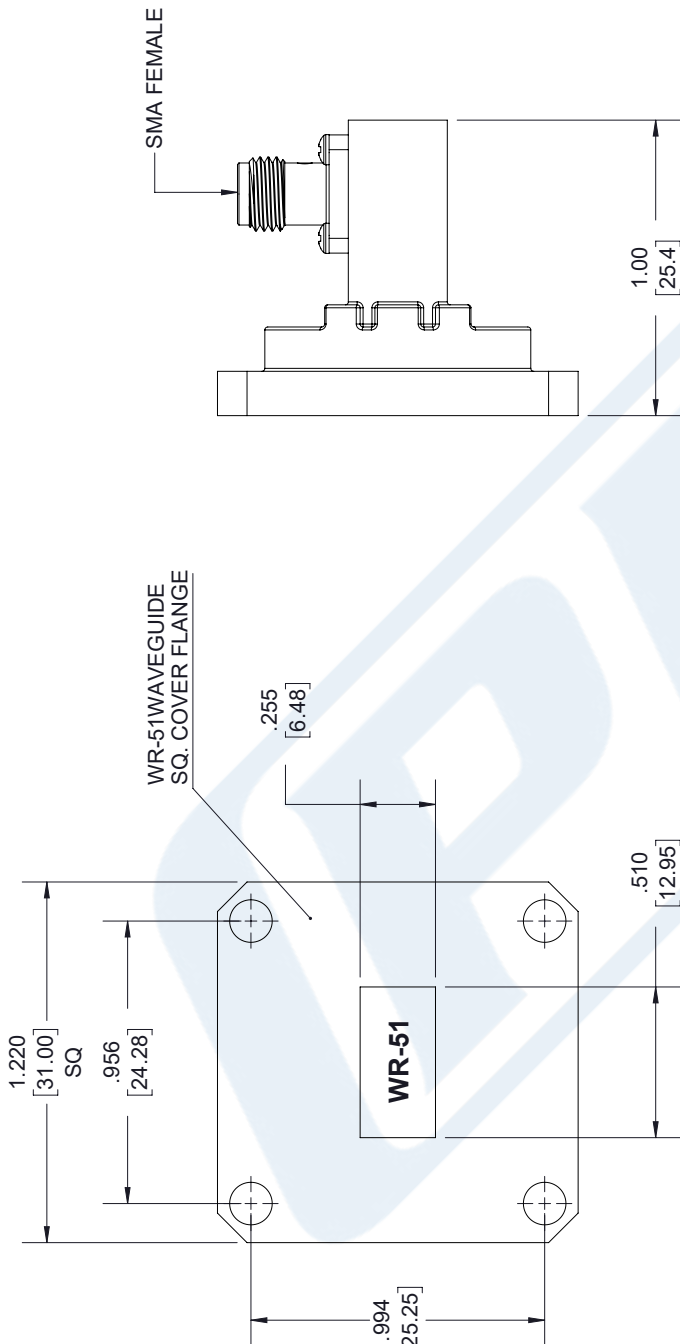
URL: <https://www.pasternack.com/wr51-square-flange-to-sma-female-waveguide-coax-adapter-22-ghz-pewca1002a-p.aspx>

The information contained in this document is accurate to the best of our knowledge and representative of the part described herein. It may be necessary to make modifications to the part and/or the documentation of the part, in order to implement improvements. Pasternack reserves the right to make such changes as required. Unless otherwise stated, all specifications are nominal. Pasternack does not make any representation or warranty regarding the suitability of the part described herein for any particular purpose, and Pasternack does not assume any liability arising out of the use of any part or documentation.

PEWCA1002A CAD Drawing

WR-51 Square Cover Flange to SMA Female Waveguide to Coax Adapter Operating from 15 GHz to 22 GHz

REV.	DESCRIPTION	DATE	APPROVED
A	INITIAL RELEASE	11/14/19	S.PONG



UNLESS OTHERWISE SPECIFIED LEADING DIMENSIONS ARE INCHES DIMENSIONS IN [] ARE MILLIMETERS

TOLERANCES:
 .X = ±.2 [5.08] | FRACTIONS ± 1/32
 .XX = ±.02 [.51] | ANGLES ± 1°
 .XXX = ±.005 [.13]
 CABLE LENGTH (L) TOLERANCES:
 L ≤ 12 [305] = +1 [25] / -0
 12 [305] < L ≤ 60 [1524] = +2 [51] / -0
 60 [1524] < L ≤ 120 [3048] = +4 [102] / -0
 120 [3048] < L ≤ 300 [7620] = +6 [152] / -0
 300 [7620] < L = +5% / L / -0

ALL DIMENSIONS SHOWN ARE FOR REFERENCE ONLY.

PE PASTERNAK
 an INFINIT brand

Pasternack Enterprises, Inc.
 P. O. Box 16759, Irvine, CA 92623.
 Phone: 1.949.261.1920 | 1.866.727.8376
 Fax: 1.949.261.7451
 Website: www.pasternack.com
 E-mail: sales@pasternack.com

SIZE | CAGE CODE | DRAWN BY | PART NUMBER
 A | 53919 | K.DANG | PEWCA1002A

THIRD-ANGLE PROJECTION

THE INFORMATION AND DESIGN IN THIS DOCUMENT IS THE PROPERTY OF PASTERNAK CORPORATION. ALL RIGHTS RESERVED.

SHEET 1 OF 1
 SCALE N/A

REV A