



WR-10 Waveguide Standard Gain Horn Antenna
 Operating from 75 GHz to 110 GHz with a Nominal 15 dBi
 Gain with UG-387/U-Mod Round Cover Flange

Gain Horns Technical Data Sheet

PEWAN1018

Features

- Rectangular Waveguide Interface
- 75 GHz to 110 GHz
- 15 dBi Nominal Gain
- UG-387/U-Mod Round Cover Flange

Applications

- Antenna Measurements
- Wireless Communication
- Laboratory Use
- Microwave Radio Systems

Description

Waveguide standard gain horn antennas are used in a wide variety of applications due to their high power handling capability, low loss, high directivity, and near constant electrical performance across a broad bandwidth. Pasternack's PEWAN1018 WR-10 waveguide standard gain horn antenna operating from 75 GHz to 110 GHz with a nominal 15 dBi gain is part of our full line of RF components available for same-day shipping. This Pasternack pyramidal horn antenna has a gold plated brass body and a precision tolerance UG-387/U-Mod round cover flange. The PEWAN1018 WR-10 waveguide standard gain horn antenna offers low gain variation across its operating frequency range.

Configuration

Design: WR-10 Standard Gain Horn
 Pattern: Directional
 Polarization: Linear

Electrical Specifications

Description	Minimum	Typical	Maximum	Units
Frequency Range	75		110	GHz
Nominal Gain		15		dBi
Horizontal Half Power Beam Width		32		Degrees
Vertical Half Power Beam Width		32		Degrees
VSWR		1.15:1		

Mechanical Specifications

Size
 Length: 1.31 in [33.27 mm]
 Width: 0.75 in [19.05 mm]
 Height: 0.75 in [19.05 mm]
 Weight: 0.045 lbs [20.41 g]

Waveguide Interface

Waveguide Size: WR-10
 Flange Type: Round Cover
 Flange Designation: UG-387/U-Mod

Click the following link (or enter part number in "SEARCH" on website) to obtain additional part information including price, inventory and certifications: [WR-10 Waveguide Standard Gain Horn Antenna Operating from 75 GHz to 110 GHz with a Nominal 15 dBi Gain with UG-387/U-Mod Round Cover Flange PEWAN1018](#)



WR-10 Waveguide Standard Gain Horn Antenna
Operating from 75 GHz to 110 GHz with a Nominal 15 dBi
Gain with UG-387/U-Mod Round Cover Flange

Gain Horns Technical Data Sheet

PEWAN1018

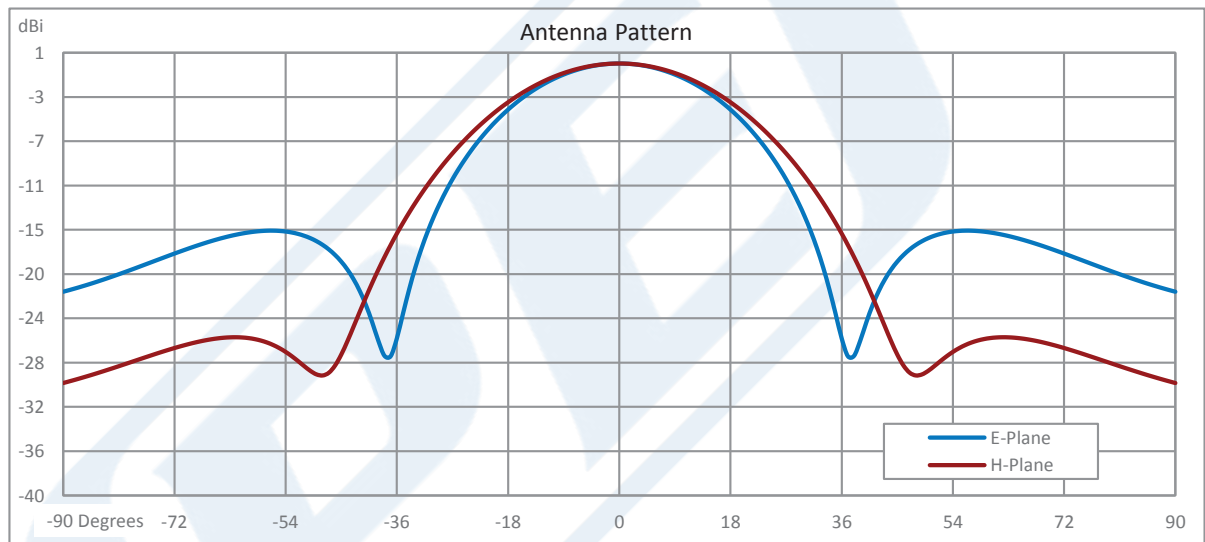
Body Material and Plating

Brass, Gold

Compliance Certifications (see [product page](#) for current document)

Plotted and Other Data

Typical Performance Data



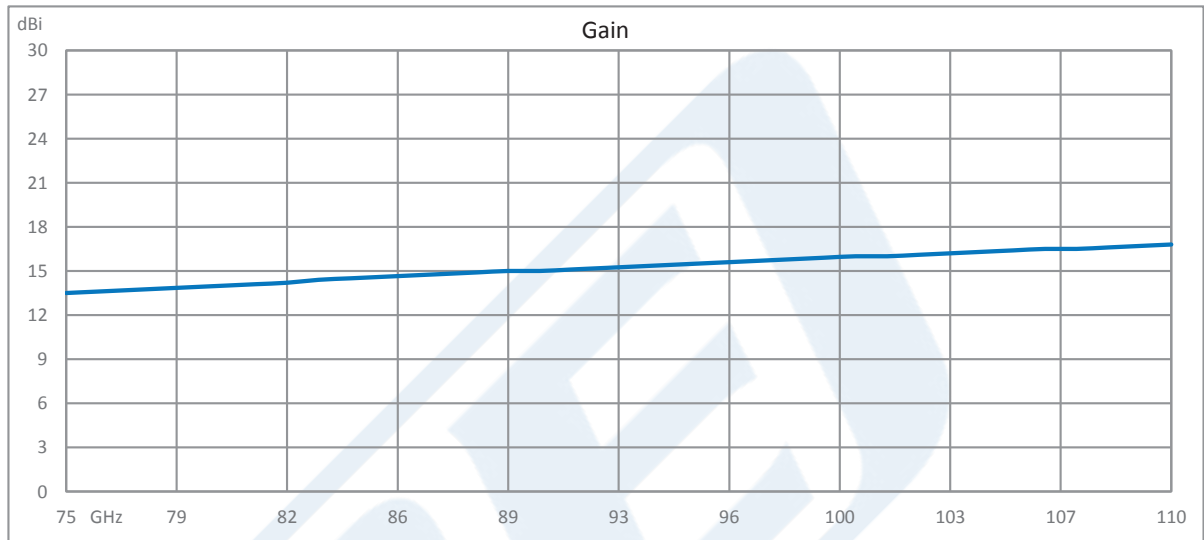
Click the following link (or enter part number in "SEARCH" on website) to obtain additional part information including price, inventory and certifications: [WR-10 Waveguide Standard Gain Horn Antenna Operating from 75 GHz to 110 GHz with a Nominal 15 dBi Gain with UG-387/U-Mod Round Cover Flange PEWAN1018](#)



WR-10 Waveguide Standard Gain Horn Antenna
Operating from 75 GHz to 110 GHz with a Nominal 15 dBi
Gain with UG-387/U-Mod Round Cover Flange

Gain Horns Technical Data Sheet

PEWAN1018



WR-10 Waveguide Standard Gain Horn Antenna Operating from 75 GHz to 110 GHz with a Nominal 15 dBi Gain with UG-387/U-Mod Round Cover Flange from Pasternack Enterprises has same day shipment for domestic and International orders. Our RF, microwave and millimeter wave products maintain a 99.4% availability and are part of the broadest selection in the industry.

Click the following link (or enter part number in "SEARCH" on website) to obtain additional part information including price, inventory and certifications: [WR-10 Waveguide Standard Gain Horn Antenna Operating from 75 GHz to 110 GHz with a Nominal 15 dBi Gain with UG-387/U-Mod Round Cover Flange PEWAN1018](https://www.pasternack.com/wr-10-waveguide-gain-horn-antenna-15dbi-ug-387-mod-round-flange-pewan1018-p.aspx)

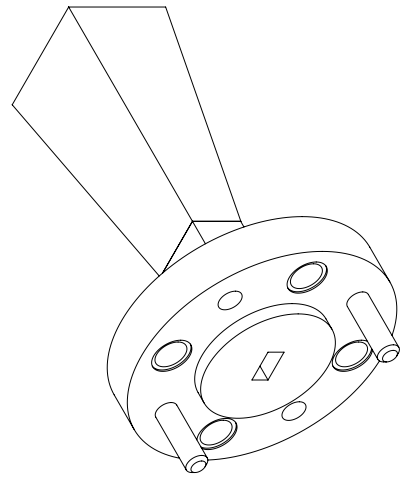
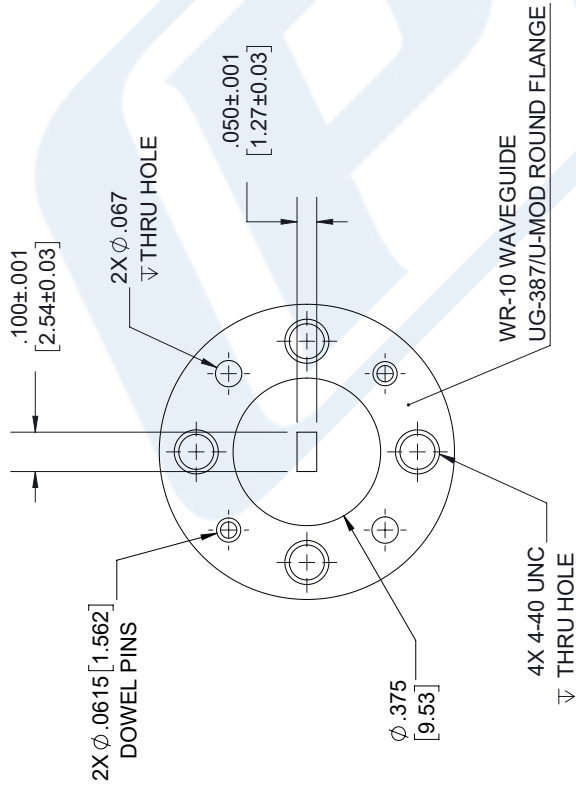
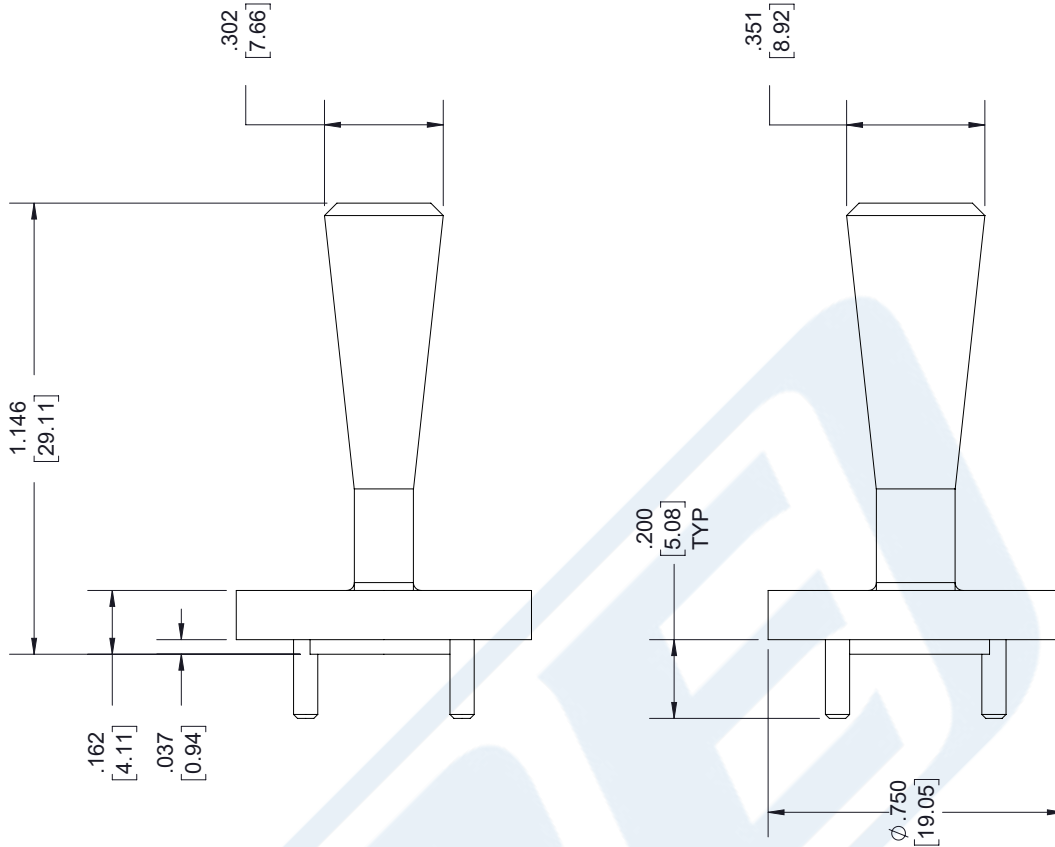
URL: <https://www.pasternack.com/wr-10-waveguide-gain-horn-antenna-15dbi-ug-387-mod-round-flange-pewan1018-p.aspx>

The information contained in this document is accurate to the best of our knowledge and representative of the part described herein. It may be necessary to make modifications to the part and/or the documentation of the part, in order to implement improvements. Pasternack reserves the right to make such changes as required. Unless otherwise stated, all specifications are nominal. Pasternack does not make any representation or warranty regarding the suitability of the part described herein for any particular purpose, and Pasternack does not assume any liability arising out of the use of any part or documentation.

PEWAN1018 CAD Drawing

WR-10 Waveguide Standard Gain Horn Antenna Operating from 75 GHz to 110 GHz with a Nominal 15 dBi Gain with UG-387/U-Mod Round Cover Flange

REVISIONS			
REV.	DESCRIPTION	DATE	APPROVED
A	INITIAL RELEASE	02/21/19	M.MILLER



UNLESS OTHERWISE SPECIFIED LEADING DIMENSIONS ARE INCHES DIMENSIONS IN [] ARE MILLIMETERS	
TOLERANCES:	FRACTIONS
X±.2 [5.08]	±.132
XX±.01 [0.25]	±.132
XXX±.005 [0.13]	±.132
ALL DIMENSIONS SHOWN ARE FOR REFERENCE ONLY.	
THIRD-ANGLE PROJECTION	

	
an INFINITO brand Pasternack Enterprises, Inc. P.O. Box 16759, Irvine, CA 92623. Phone: 1,949,261,1920 1,866,727,8376 Fax: 1,949,261,7451 www.pasternack.com e-mail: sales@pasternack.com	
SIZE	A
CAGE	53919
DRAWN BY	K.DANG
PART NUMBER	PEWAN1018
REV	A

THE INFORMATION AND DESIGN IN THIS DOCUMENT IS THE PROPERTY OF PASTERNAK CORPORATION. ALL RIGHTS RESERVED.	
SHEET	1 OF 1
SCALE	N/A

THESE COMMODITIES, TECHNOLOGY OR SOFTWARE WERE EXPORTED FROM THE UNITED STATES IN ACCORDANCE WITH THE EXPORT ADMINISTRATION REGULATIONS. DIVERSION CONTRARY TO U.S. LAW PROHIBITED.