



WR-19 Waveguide Standard Gain Horn Antenna  
 Operating from 40 GHz to 60 GHz with a Nominal 25 dBi  
 Gain with UG-383/U-Mod Round Cover Flange

Gain Horns Technical Data Sheet

PEWAN1008

**Features**

- Rectangular Waveguide Interface
- 40 GHz to 60 GHz
- 25 dBi Nominal Gain
- UG-383/U-Mod Round Cover Flange

**Applications**

- Antenna Measurements
- Wireless Communication
- Laboratory Use
- Microwave Radio Systems

**Description**

Waveguide standard gain horn antennas are used in a wide variety of applications due to their high power handling capability, low loss, high directivity, and near constant electrical performance across a broad bandwidth. Pasternack's PEWAN1008 WR-19 waveguide standard gain horn antenna operating from 40 GHz to 60 GHz with a nominal 25 dBi gain is part of our full line of RF components available for same-day shipping. This Pasternack pyramidal horn antenna has a gold plated brass body and a precision tolerance UG-383/U-Mod round cover flange. The PEWAN1008 WR-19 waveguide standard gain horn antenna offers low gain variation across its operating frequency range.

**Configuration**

Design: WR-19 Standard Gain Horn  
 Pattern: Directional  
 Polarization: Linear

**Electrical Specifications**

Description	Minimum	Typical	Maximum	Units
Frequency Range	40		60	GHz
Nominal Gain		25		dBi
Gain	23.5		26	dBi
Horizontal Half Power Beam Width		10		Degrees
Vertical Half Power Beam Width		9		Degrees
VSWR		1.15:1		

**Mechanical Specifications**

**Size**

Length: 4.86 in [123.44 mm]  
 Width: 1.94 in [49.28 mm]  
 Height: 1.507 in [38.28 mm]  
 Weight: 0.17 lbs [77.11 g]

**Waveguide Interface**

Waveguide Size: WR-19  
 Flange Type: Round Cover

Click the following link (or enter part number in "SEARCH" on website) to obtain additional part information including price, inventory and certifications: [WR-19 Waveguide Standard Gain Horn Antenna Operating from 40 GHz to 60 GHz with a Nominal 25 dBi Gain with UG-383/U-Mod Round Cover Flange PEWAN1008](#)



WR-19 Waveguide Standard Gain Horn Antenna  
Operating from 40 GHz to 60 GHz with a Nominal 25 dBi  
Gain with UG-383/U-Mod Round Cover Flange

Gain Horns Technical Data Sheet

PEWAN1008

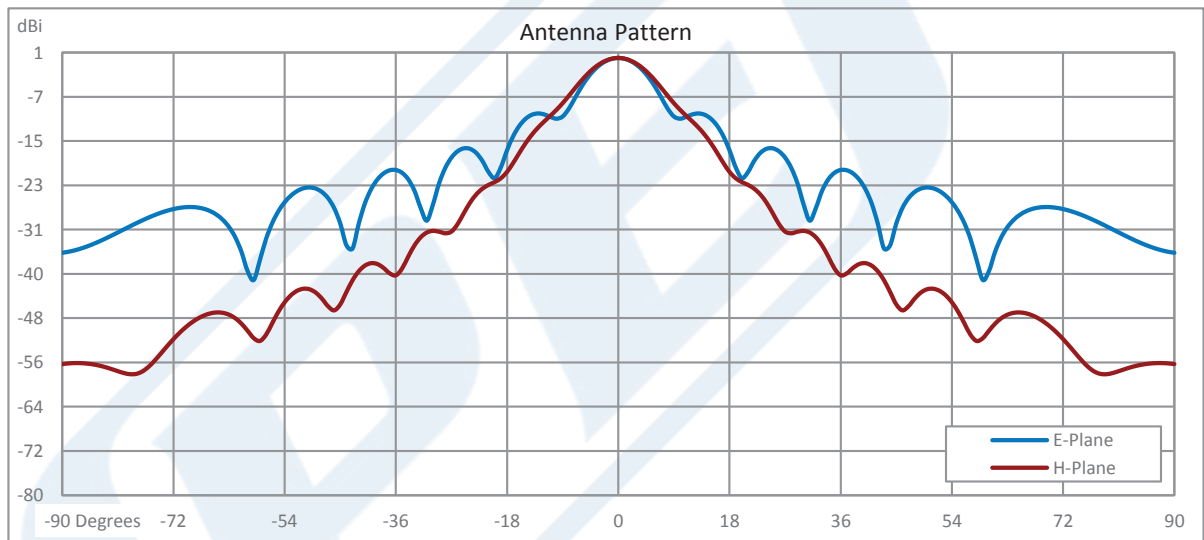
Flange Designation  
Body Material and Plating

UG-383/U-Mod  
Brass, Gold

**Compliance Certifications** (see [product page](#) for current document)

**Plotted and Other Data**

**Typical Performance Data**



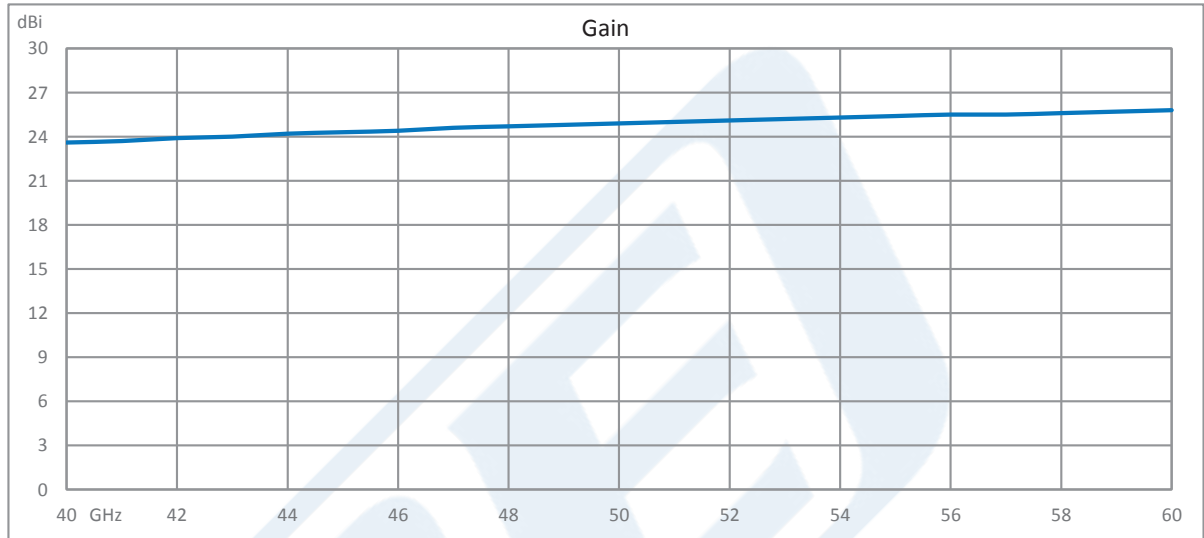
Click the following link (or enter part number in "SEARCH" on website) to obtain additional part information including price, inventory and certifications: [WR-19 Waveguide Standard Gain Horn Antenna Operating from 40 GHz to 60 GHz with a Nominal 25 dBi Gain with UG-383/U-Mod Round Cover Flange PEWAN1008](#)



WR-19 Waveguide Standard Gain Horn Antenna  
Operating from 40 GHz to 60 GHz with a Nominal 25 dBi  
Gain with UG-383/U-Mod Round Cover Flange

Gain Horns Technical Data Sheet

PEWAN1008



WR-19 Waveguide Standard Gain Horn Antenna Operating from 40 GHz to 60 GHz with a Nominal 25 dBi Gain with UG-383/U-Mod Round Cover Flange from Pasternack Enterprises has same day shipment for domestic and International orders. Our RF, microwave and millimeter wave products maintain a 99.4% availability and are part of the broadest selection in the industry.

Click the following link (or enter part number in "SEARCH" on website) to obtain additional part information including price, inventory and certifications: [WR-19 Waveguide Standard Gain Horn Antenna Operating from 40 GHz to 60 GHz with a Nominal 25 dBi Gain with UG-383/U-Mod Round Cover Flange PEWAN1008](https://www.pasternack.com/wr-19-waveguide-gain-horn-antenna-25dbi-ug-383-mod-round-flange-pewan1008-p.aspx)

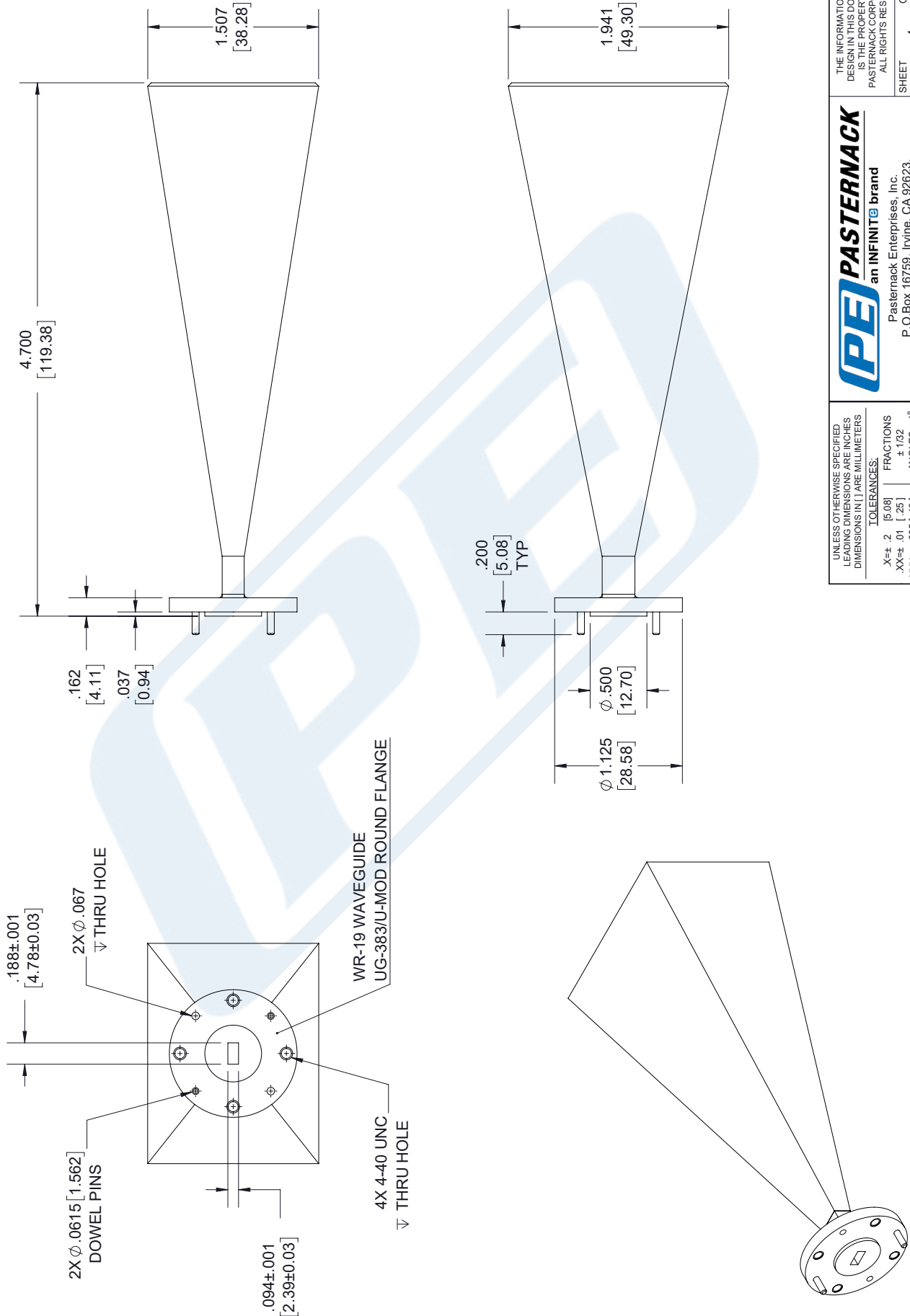
URL: <https://www.pasternack.com/wr-19-waveguide-gain-horn-antenna-25dbi-ug-383-mod-round-flange-pewan1008-p.aspx>

The information contained in this document is accurate to the best of our knowledge and representative of the part described herein. It may be necessary to make modifications to the part and/or the documentation of the part, in order to implement improvements. Pasternack reserves the right to make such changes as required. Unless otherwise stated, all specifications are nominal. Pasternack does not make any representation or warranty regarding the suitability of the part described herein for any particular purpose, and Pasternack does not assume any liability arising out of the use of any part or documentation.

# PEWAN1008 CAD Drawing

WR-19 Waveguide Standard Gain Horn Antenna Operating from 40 GHz to 60 GHz with a Nominal 25 dBi Gain with UG-383/U-Mod Round Cover Flange

REVISIONS			
REV.	DESCRIPTION	DATE	APPROVED
A	INITIAL RELEASE	02/21/19	M.MILLER



UNLESS OTHERWISE SPECIFIED LEADING DIMENSIONS ARE INCHES DIMENSIONS IN [ ] ARE MILLIMETERS

TOLERANCES:  
 X±.2 [5.08] FRACTIONS  
 XX±.01 [25] ±.132  
 .XXX±.005 [1.3] ANGLES ± 1°  
 ALL DIMENSIONS SHOWN ARE FOR REFERENCE ONLY.

THIRD-ANGLE PROJECTION

THE INFORMATION AND DESIGN IN THIS DOCUMENT IS THE PROPERTY OF PASTERNAK CORPORATION. ALL RIGHTS RESERVED.

**PE PASTERNAK**  
 an INFINITO brand  
 Pasternack Enterprises, Inc.  
 P.O. Box 16759, Irvine, CA 92623.  
 Phone: 1.949.261.1920 | 1.866.727.8376  
 Fax: 1.949.261.7451  
 www.pasternack.com | e-mail: sales@pasternack.com

SHEET 1 OF 1  
 SCALE N/A

SIZE A CAGE 53919 DRAWN BY K.DANG PART NUMBER PEWAN1008 REV A

THESE COMMODITIES, TECHNOLOGY OR SOFTWARE WERE EXPORTED FROM THE UNITED STATES IN ACCORDANCE WITH THE EXPORT ADMINISTRATION REGULATIONS. DIVERSION CONTRARY TO U.S. LAW PROHIBITED.