



WR-19 Waveguide Standard Gain Horn Antenna  
Operating from 40 GHz to 60 GHz with a Nominal 15 dBi  
Gain with UG-383/U-Mod Round Cover Flange

Gain Horns Technical Data Sheet

PEWAN1006

**Features**

- Rectangular Waveguide Interface
- 40 GHz to 60 GHz
- 15 dBi Nominal Gain
- UG-383/U-Mod Round Cover Flange

**Applications**

- Antenna Measurements
- Wireless Communication
- Laboratory Use
- Microwave Radio Systems

**Description**

Waveguide standard gain horn antennas are used in a wide variety of applications due to their high power handling capability, low loss, high directivity, and near constant electrical performance across a broad bandwidth. Pasternack's PEWAN1006 WR-19 waveguide standard gain horn antenna operating from 40 GHz to 60 GHz with a nominal 15 dBi gain is part of our full line of RF components available for same-day shipping. This Pasternack pyramidal horn antenna has a gold plated brass body and a precision tolerance UG-383/U-Mod round cover flange. The PEWAN1006 WR-19 waveguide standard gain horn antenna offers low gain variation across its operating frequency range.

**Configuration**

Design	WR-19 Standard Gain Horn
Pattern	Directional
Polarization	Linear

**Electrical Specifications**

Description	Minimum	Typical	Maximum	Units
Frequency Range	40		60	GHz
Nominal Gain		15		dBi
Horizontal Half Power Beam Width		32		Degrees
Vertical Half Power Beam Width		32		Degrees
VSWR		1.15:1		

**Mechanical Specifications**

<b>Size</b>	
Length	1.66 in [42.16 mm]
Width	1.125 in [28.58 mm]
Height	1.125 in [28.58 mm]
Weight	0.036 lbs [16.33 g]

**Waveguide Interface**

Waveguide Size	WR-19
Flange Type	Round Cover
Flange Designation	UG-383/U-Mod

Click the following link (or enter part number in "SEARCH" on website) to obtain additional part information including price, inventory and certifications: [WR-19 Waveguide Standard Gain Horn Antenna Operating from 40 GHz to 60 GHz with a Nominal 15 dBi Gain with UG-383/U-Mod Round Cover Flange PEWAN1006](#)



WR-19 Waveguide Standard Gain Horn Antenna  
Operating from 40 GHz to 60 GHz with a Nominal 15 dBi  
Gain with UG-383/U-Mod Round Cover Flange

## Gain Horns Technical Data Sheet

PEWAN1006

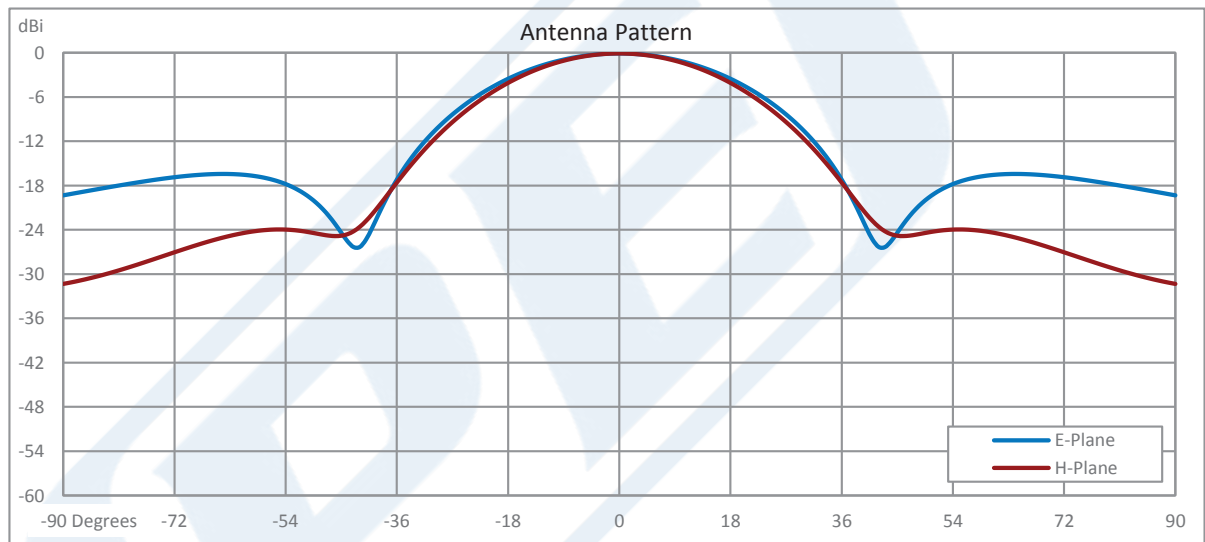
Body Material and Plating

Brass, Gold

**Compliance Certifications** (see [product page](#) for current document)

### Plotted and Other Data

#### Typical Performance Data



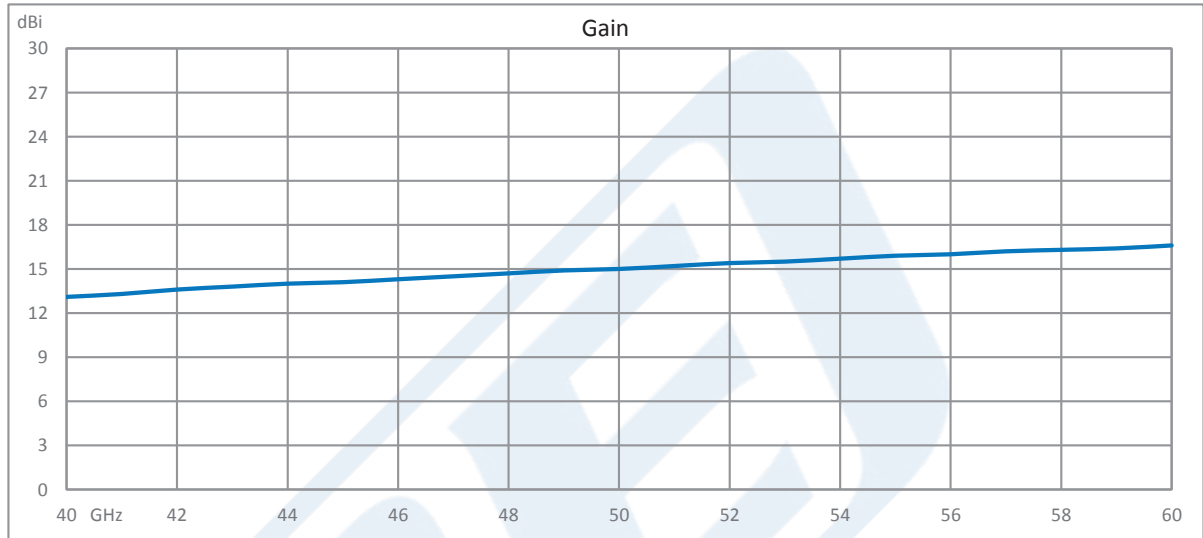
Click the following link (or enter part number in "SEARCH" on website) to obtain additional part information including price, inventory and certifications: [WR-19 Waveguide Standard Gain Horn Antenna Operating from 40 GHz to 60 GHz with a Nominal 15 dBi Gain with UG-383/U-Mod Round Cover Flange PEWAN1006](#)



WR-19 Waveguide Standard Gain Horn Antenna  
Operating from 40 GHz to 60 GHz with a Nominal 15 dBi  
Gain with UG-383/U-Mod Round Cover Flange

## Gain Horns Technical Data Sheet

PEWAN1006



WR-19 Waveguide Standard Gain Horn Antenna Operating from 40 GHz to 60 GHz with a Nominal 15 dBi Gain with UG-383/U-Mod Round Cover Flange from Pasternack Enterprises has same day shipment for domestic and International orders. Our RF, microwave and millimeter wave products maintain a 99.4% availability and are part of the broadest selection in the industry.

Click the following link (or enter part number in "SEARCH" on website) to obtain additional part information including price, inventory and certifications: [WR-19 Waveguide Standard Gain Horn Antenna Operating from 40 GHz to 60 GHz with a Nominal 15 dBi Gain with UG-383/U-Mod Round Cover Flange PEWAN1006](https://www.pasternack.com/wr-19-waveguide-gain-horn-antenna-15dbi-ug-383-mod-round-flange-pewan1006-p.aspx)

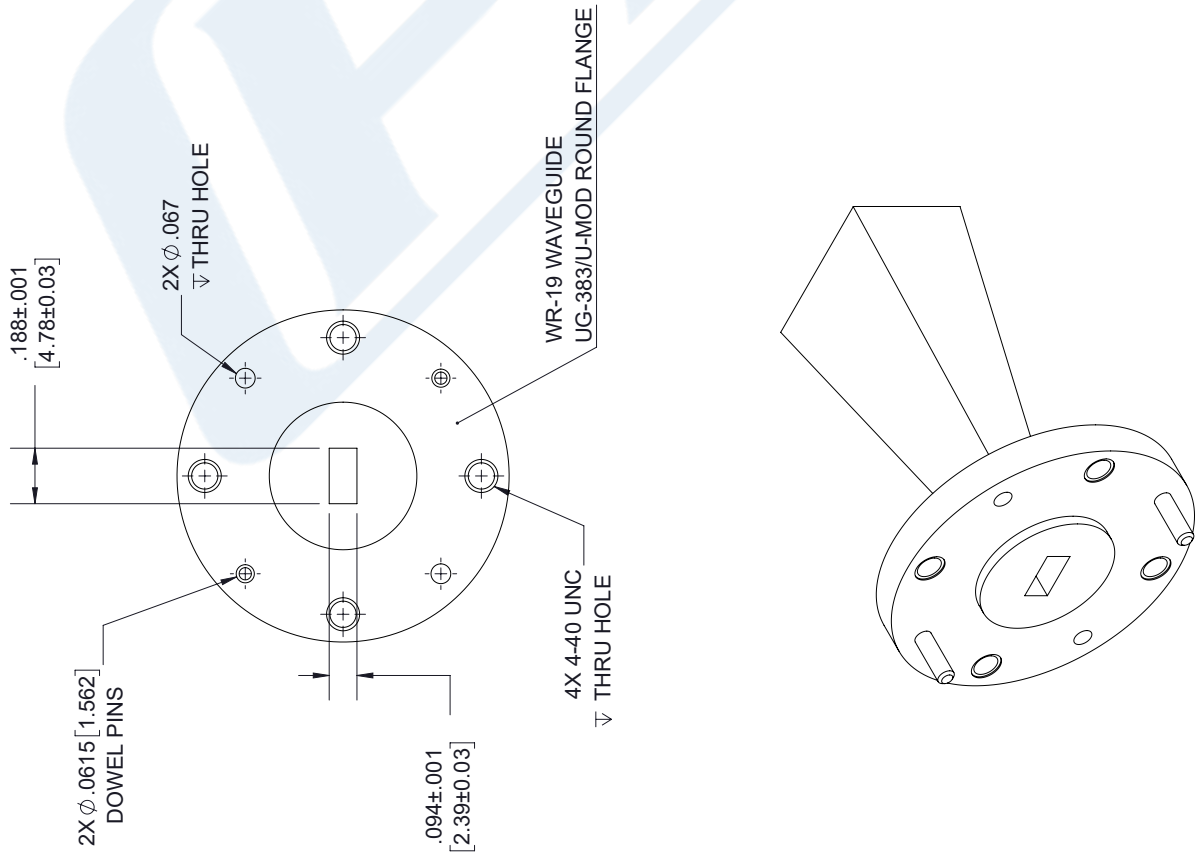
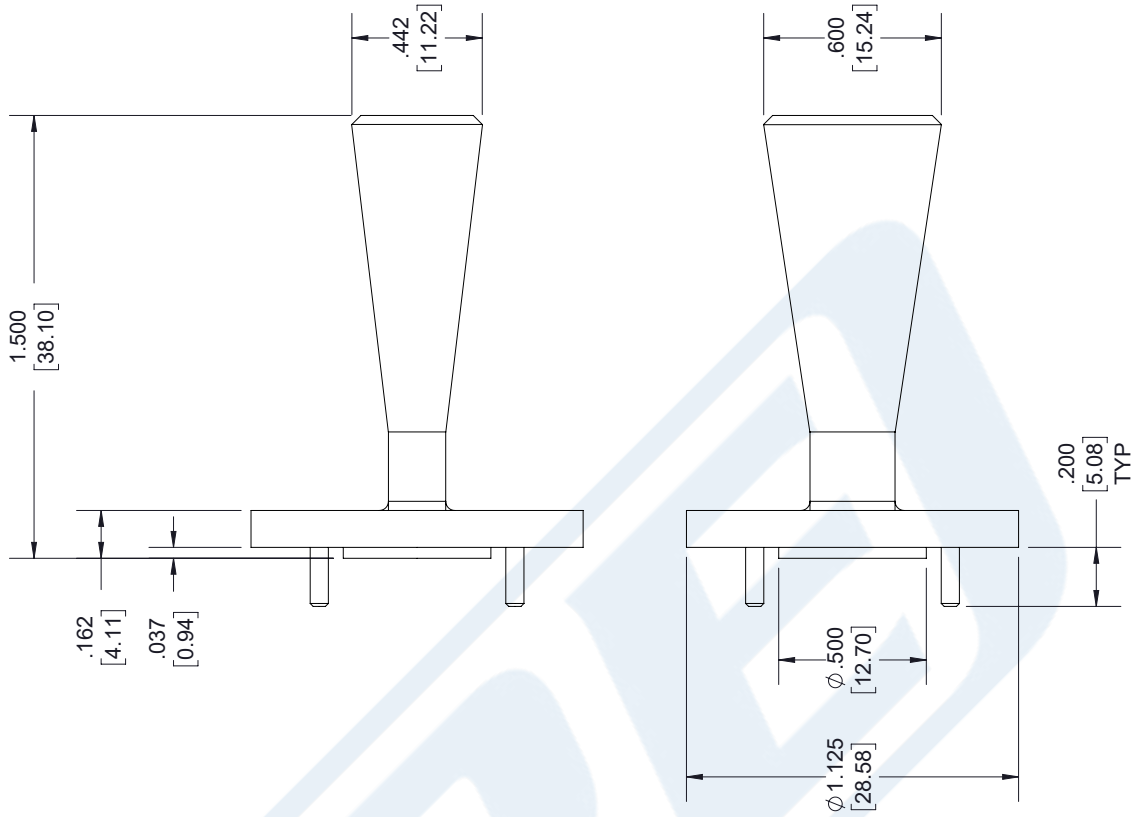
URL: <https://www.pasternack.com/wr-19-waveguide-gain-horn-antenna-15dbi-ug-383-mod-round-flange-pewan1006-p.aspx>

The information contained in this document is accurate to the best of our knowledge and representative of the part described herein. It may be necessary to make modifications to the part and/or the documentation of the part, in order to implement improvements. Pasternack reserves the right to make such changes as required. Unless otherwise stated, all specifications are nominal. Pasternack does not make any representation or warranty regarding the suitability of the part described herein for any particular purpose, and Pasternack does not assume any liability arising out of the use of any part or documentation.

# PEWAN1006 CAD Drawing

WR-19 Waveguide Standard Gain Horn Antenna Operating from 40 GHz to 60 GHz with a Nominal 15 dBi Gain with UG-383/U-Mod Round Cover Flange

REVISIONS			
REV.	DESCRIPTION	DATE	APPROVED
A	INITIAL RELEASE	02/21/19	M.MILLER



<p>UNLESS OTHERWISE SPECIFIED LEADING DIMENSIONS ARE INCHES DIMENSIONS IN [ ] ARE MILLIMETERS</p> <p>TOLERANCES:</p> <p>X±.2 [5.08] FRACTIONS ±.132 ANGLES ± 1°</p> <p>.XX±.01 [ .25] ANGLES ± 1°</p> <p>.XXX±.005 [ .13] ARE FOR REFERENCE ONLY.</p> <p>THIRD-ANGLE PROJECTION</p>		<p>THE INFORMATION AND DESIGN IN THIS DOCUMENT IS THE PROPERTY OF PASTERNAK CORPORATION. ALL RIGHTS RESERVED.</p> <p><b>PE PASTERNAK</b> an INFINITO brand</p> <p>Pasternack Enterprises, Inc. P.O. Box 16759, Irvine, CA 92623. Phone: 1.949.261.1920   1.866.727.8376 Fax: 1.949.261.7451 www.pasternack.com   e-mail: sales@pasternack.com</p>	
SIZE	CAGE	DRAWN BY	PART NUMBER
A	53919	K.DANG	PEWAN1006
SHEET 1 OF 1			SCALE N/A
REV			A

THESE COMMODITIES, TECHNOLOGY OR SOFTWARE WERE EXPORTED FROM THE UNITED STATES IN ACCORDANCE WITH THE EXPORT ADMINISTRATION REGULATIONS. DIVERSION CONTRARY TO U.S. LAW PROHIBITED.