



WR-284 Waveguide Short Plate, CPR-284F Flange, 8mm Aluminum

Waveguide Accessories Technical Data Sheet

PEW284SP8

Features

- WR-284 Waveguide Short Plate
- CPR-284F Flange Configuration
- Frequency Range: 2.6 GHz to 3.95 GHz
- Min VSWR: 60:1
- 8 mm Thick Aluminum Construction

Description

PEW284SP8 is a fixed WR-284 waveguide short (shorting plate) with operating frequency range from 2.6 GHz to 3.95 GHz. This waveguide short is fabricated with 8 mm thick aluminum by high precision manufacturing process. PEW284SP8 has the same configuration as CPR-284F flange and provides high reflection short circuit for WR-284 waveguide components. Along with Pasternack's waveguide shim products, the waveguide short is ideal for TRL (Thru, Reflect, Line) calibration for RF test instruments. Pasternack offers a wide selection of waveguide components with high performance available in stock and same-day shipping to customers worldwide.

Mechanical Specifications

Body Material	Aluminum
Body Finish	Anticorrosion grey paint
Length	0.315 in [8 mm]
Width	4.5 in [114.3 mm]
Height	3 in [76.2 mm]
Weight	0.441 lbs [200.03 g]

Compliance Certifications (see [product page](#) for current document)

WR-284 Waveguide Short Plate, CPR-284F Flange, 8mm Aluminum from Pasternack Enterprises has same day shipment for domestic and International orders. Our RF, microwave and millimeter wave products maintain a 99.4% availability and are part of the broadest selection in the industry.

Click the following link (or enter part number in "SEARCH" on website) to obtain additional part information including price, inventory and certifications: [WR-284 Waveguide Short Plate, CPR-284F Flange, 8mm Aluminum PEW284SP8](#)

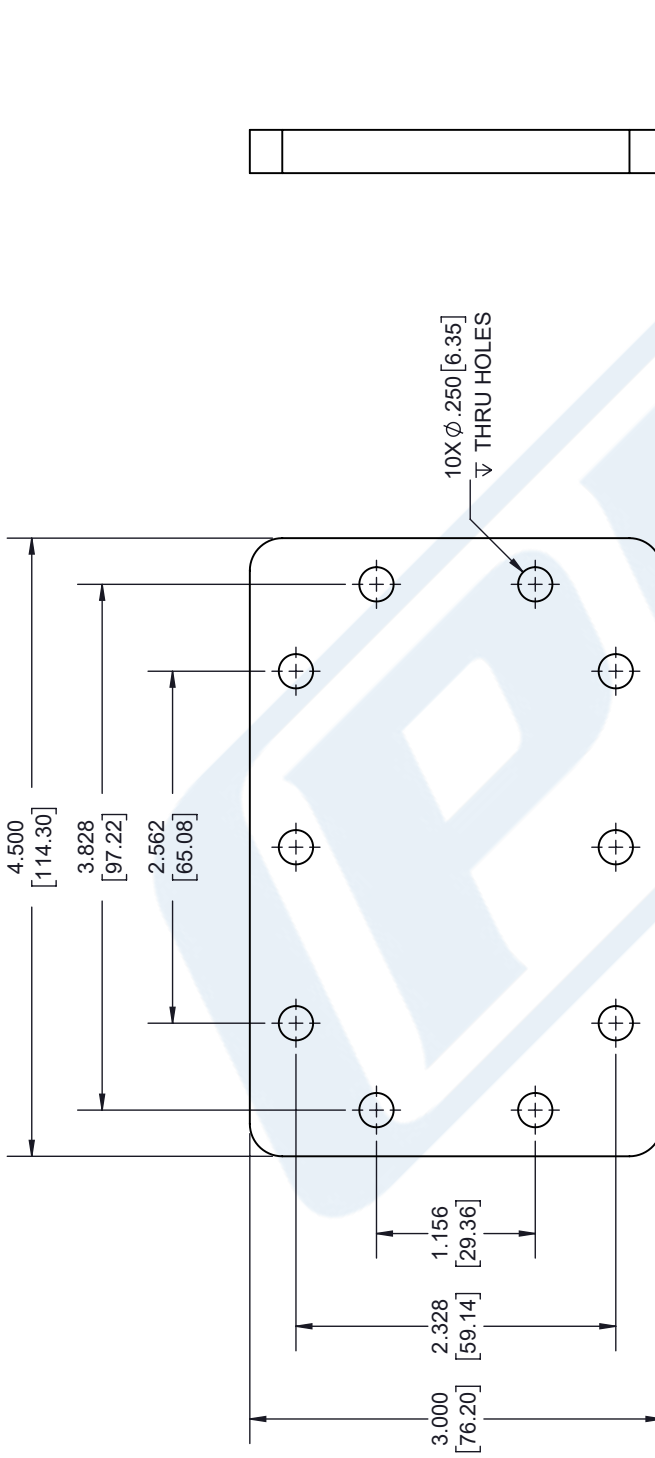
URL: <https://www.pasternack.com/pew284sp8-p.aspx>

The information contained in this document is accurate to the best of our knowledge and representative of the part described herein. It may be necessary to make modifications to the part and/or the documentation of the part, in order to implement improvements. Pasternack reserves the right to make such changes as required. Unless otherwise stated, all specifications are nominal. Pasternack does not make any representation or warranty regarding the suitability of the part described herein for any particular purpose, and Pasternack does not assume any liability arising out of the use of any part or documentation.

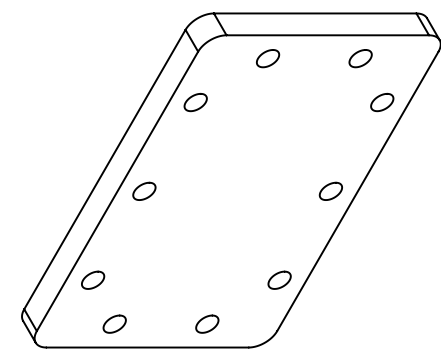
PEW284SP8 CAD Drawing

WR-284 Waveguide Short Plate, CPR-284F Flange, 8mm Aluminum

REVISIONS			
REV.	DESCRIPTION	DATE	APPROVED
A	INITIAL RELEASE	2/4/2020	S.PONG



WR-284 WAVEGUIDE
CPR284F COVER FLANGE



<p>UNLESS OTHERWISE SPECIFIED LEADING DIMENSIONS ARE INCHES DIMENSIONS IN [] ARE MILLIMETERS</p> <p>TOLERANCES:</p> <p>.X = ±.2 [5.08] FRACTIONS ± 1/32</p> <p>.XX = ±.02 [.51] ANGLES ± 1°</p> <p>.XXX = ±.005 [.13]</p> <p>CABLE LENGTH (L), TOLERANCES:</p> <p>L ≤ 12 [305] = +1 [25] / -0</p> <p>12 [305] < L ≤ 60 [1524] = +2 [51] / -0</p> <p>60 [1524] < L ≤ 120 [3048] = +4 [102] / -0</p> <p>120 [3048] < L ≤ 300 [7620] = +6 [152] / -0</p> <p>300 [7620] < L = +5% / -0</p> <p>ALL DIMENSIONS SHOWN ARE FOR REFERENCE ONLY.</p>	<p>THIRD-ANGLE PROJECTION</p> <p>THE INFORMATION AND DESIGN IN THIS DOCUMENT IS THE PROPERTY OF PASTERNAK CORPORATION ALL RIGHTS RESERVED.</p> <p>SHEET 1 OF 1</p> <p>SCALE N/A</p>
	<p>ITEM NO. PEW284SP8</p> <p>REV A</p>
<p>SIZE A</p> <p>CAGE CODE 53919</p> <p>DRAWN BY K.DANG</p>	<p>ITEM NO. PEW284SP8</p> <p>REV A</p>

PE PASTERNAK
an INFINITE brand

Pasternack Enterprises, Inc.
P. O. Box 16759, Irvine, CA 92623.
Phone: 1.949.261.1920 | 1.866.727.8376
Fax: 1.949.261.7451
Website: www.pasternack.com
E-mail: sales@pasternack.com

THESE COMMODITIES, TECHNOLOGY OR SOFTWARE WERE EXPORTED FROM THE UNITED STATES IN ACCORDANCE WITH THE EXPORT ADMINISTRATION REGULATIONS. DIVERSION CONTRARY TO U.S. LAW PROHIBITED.