

## WR-284 Waveguide Shim, CPR-284F flange, 8mm Aluminum

### Waveguide Accessories Technical Data Sheet

PEW284FS8

#### Features

- WR-284 Waveguide Shim
- CPR-284F Flange Configuration
- Frequency Range: 2.6 GHz to 3.95 GHz
- 8 mm Thick Aluminum Construction

#### Description

PEW284FS8 is a WR-284 waveguide shim with operating frequency range from 2.6 GHz to 3.95 GHz. This waveguide shim is fabricated with 8 mm thick aluminum by high precision manufacturing process. PEW284FS8 can be used to bridge gaps between WR-284 waveguide components with CPR-284F flanges. Pasternack offers wide selection of waveguide components with high performance available in stock and same-day shipping to customers worldwide.

#### Mechanical Specifications

Body Material	Aluminum
Body Finish	Anticorrosion grey paint
Length	0.315 in [8 mm]
Width	4.5 in [114.3 mm]
Height	3 in [76.2 mm]
Weight	0.441 lbs [200.03 g]

#### Compliance Certifications (see [product page](#) for current document)

WR-284 Waveguide Shim, CPR-284F flange, 8mm Aluminum from Pasternack Enterprises has same day shipment for domestic and International orders. Our RF, microwave and millimeter wave products maintain a 99.4% availability and are part of the broadest selection in the industry.

Click the following link (or enter part number in "SEARCH" on website) to obtain additional part information including price, inventory and certifications: [WR-284 Waveguide Shim, CPR-284F flange, 8mm Aluminum PEW284FS8](#)

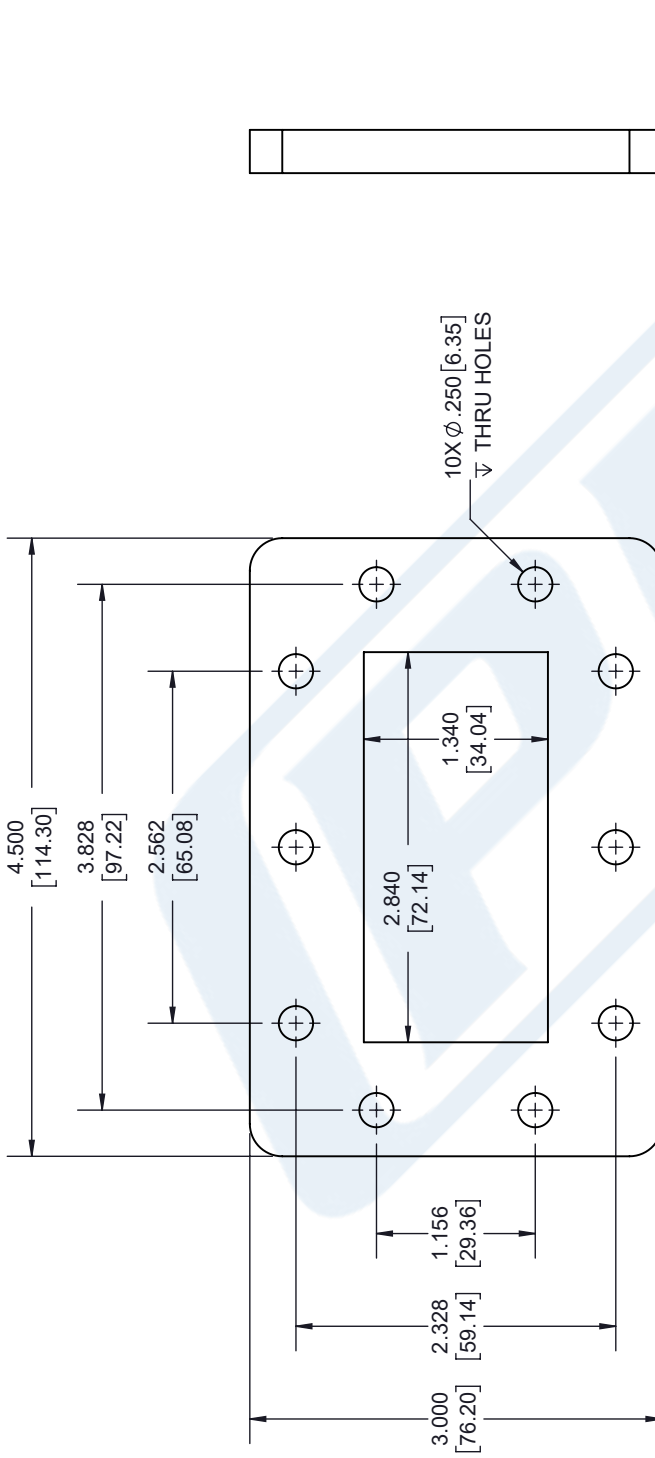
URL: <https://www.pasternack.com/pew284fs8-p.aspx>

The information contained in this document is accurate to the best of our knowledge and representative of the part described herein. It may be necessary to make modifications to the part and/or the documentation of the part, in order to implement improvements. Pasternack reserves the right to make such changes as required. Unless otherwise stated, all specifications are nominal. Pasternack does not make any representation or warranty regarding the suitability of the part described herein for any particular purpose, and Pasternack does not assume any liability arising out of the use of any part or documentation.

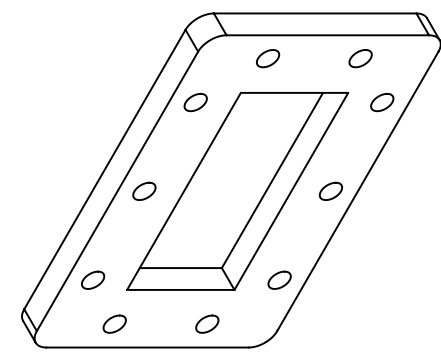
# PEW284FS8 CAD Drawing

WR-284 Waveguide Shim, CPR-284F flange, 8mm Aluminum

REVISIONS			
REV.	DESCRIPTION	DATE	APPROVED
A	INITIAL RELEASE	2/4/2020	S.PONG



WR-284 WAVEGUIDE  
CPR284F COVER FLANGE



<p>UNLESS OTHERWISE SPECIFIED LEADING DIMENSIONS ARE INCHES DIMENSIONS IN [ ] ARE MILLIMETERS</p> <p>TOLERANCES:</p> <p>.X = ±.2 [5.08]    FRACTIONS ± 1/32          .XX = ±.02 [ .51]    ANGLES ± 1°          .XXX = ±.005 [ .13]</p> <p>CABLE LENGTH (L), TOLERANCES:          L ≤ 12 [305] = +1 [25] / -0          12 [305] &lt; L ≤ 60 [1524] = +2 [51] / -0          60 [1524] &lt; L ≤ 120 [3048] = +4 [102] / -0          120 [3048] &lt; L ≤ 300 [7620] = +6 [152] / -0          300 [7620] &lt; L = +5% / -0</p> <p>ALL DIMENSIONS SHOWN ARE FOR REFERENCE ONLY.</p>	<p>THIRD-ANGLE PROJECTION</p> <p>THE INFORMATION AND DESIGN IN THIS DOCUMENT IS THE PROPERTY OF PASTERNAK CORPORATION ALL RIGHTS RESERVED.</p> <p>SHEET 1 OF 1</p>
	<p>SCALE N/A</p>
<p>ITEM NO. PEW284FS8</p>	<p>REV A</p>
<p>SIZE A</p>	<p>DRAWN BY K.DANG</p>
<p>CAGE CODE 53919</p>	<p>ITEM NO. PEW284FS8</p>
<p>PEP <b>PASTERNAK</b> an INFINITE brand</p> <p>Pasternack Enterprises, Inc.          P. O. Box 16759, Irvine, CA 92623.          Phone: 1.949.261.1920   1.866.727.8376          Fax: 1.949.261.7451          Website: www.pasternack.com          E-mail: sales@pasternack.com</p>	

THESE COMMODITIES, TECHNOLOGY OR SOFTWARE WERE EXPORTED FROM THE UNITED STATES IN ACCORDANCE WITH THE EXPORT ADMINISTRATION REGULATIONS. DIVERSION CONTRARY TO U.S. LAW PROHIBITED.