



WR-90 UG-135/U Square Cover Flange to End Launch N Female Waveguide to Coax Adapter Operating from 8.2 GHz to 12.4 GHz

Waveguide to Coax Adapters Technical Data Sheet

PE9868

Features

- X Band, 8.2 to 12.4 GHz Frequency Range
- WR-90 Waveguide Interface with UG-135/U Square Cover Flange
- N Female Coaxial Interface
- Comprehensive waveguide offerings also include E-Bends, H-Bends, Sections, Filters, Terminations, Couplers, and more.

Description

The PE9868 is a waveguide to coaxial adapter operating in the X band with a 8.2 to 12.4 GHz frequency range. This adapter offers a WR-90 waveguide interface size coupled with a precision tolerance UG-135/U square cover flange. The PE9868 is constructed of aluminum to ensure durability and repeatable RF performance. The coaxial connector offered by this adapter uses a N type female connector and the package is REACH and RoHS compliant.

Configuration

Waveguide Size	WR-90
Flange	UG-135/U Square Cover
RF Connector	N Female
Impedance	50 Ohms
Body Geometry	End Launch

Electrical Specifications

Description	Minimum	Typical	Maximum	Units
Frequency Range	8.2		12.4	GHz
VSWR			1.25:1	
Insertion Loss		0.25		dB

Mechanical Specifications

Size	
Length	1.82 in [46.23 mm]
Width	1.63 in [41.4 mm]
Height	1.63 in [41.4 mm]
Weight	0.1545 lbs [70.08 g]

RF Connector	
Connector Type	N Female
Body Material and Plating	Stainless Steel

Waveguide Interface	
Waveguide Type	WR-90
Flange Type	Square Cover

Click the following link (or enter part number in "SEARCH" on website) to obtain additional part information including price, inventory and certifications: [WR-90 UG-135/U Square Cover Flange to End Launch N Female Waveguide to Coax Adapter Operating from 8.2 GHz to 12.4 GHz PE9868](#)



WR-90 UG-135/U Square Cover Flange to End Launch N Female Waveguide to Coax Adapter Operating from 8.2 GHz to 12.4 GHz

Waveguide to Coax Adapters Technical Data Sheet

PE9868

Flange Designation
Body Material and Plating

UG-135/U
Aluminum

Compliance Certifications (see [product page](#) for current document)

Plotted and Other Data

Notes:

- Values at +25 °C, sea level unless stated otherwise

WR-90 UG-135/U Square Cover Flange to End Launch N Female Waveguide to Coax Adapter Operating from 8.2 GHz to 12.4 GHz from Pasternack Enterprises has same day shipment for domestic and International orders. Our RF, microwave and millimeter wave products maintain a 99.4% availability and are part of the broadest selection in the industry.

Click the following link (or enter part number in "SEARCH" on website) to obtain additional part information including price, inventory and certifications: [WR-90 UG-135/U Square Cover Flange to End Launch N Female Waveguide to Coax Adapter Operating from 8.2 GHz to 12.4 GHz PE9868](#)

URL: <https://www.pasternack.com/waveguide-end-launch-to-n-female-frequency-range-820-1240-ghz-pe9868-p.aspx>

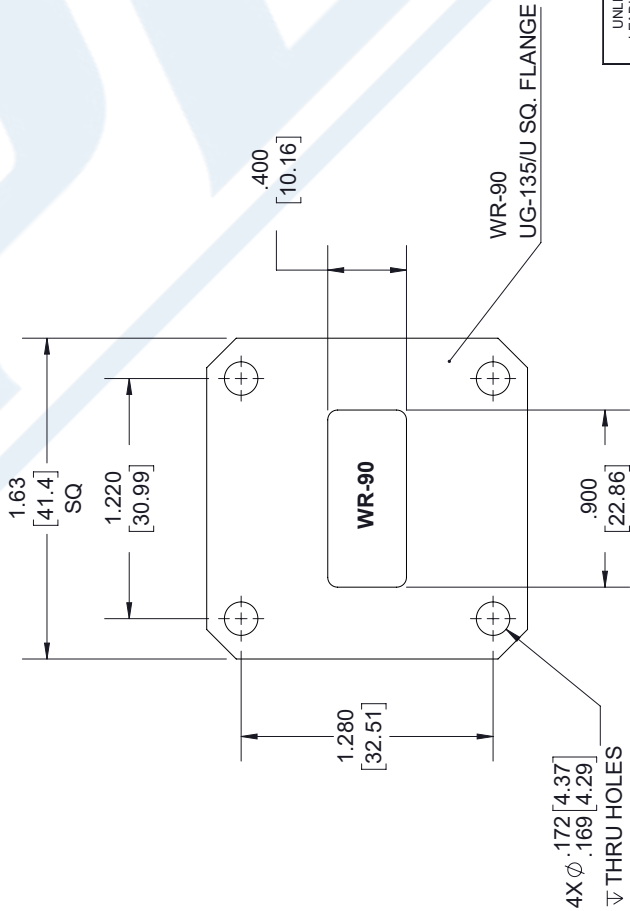
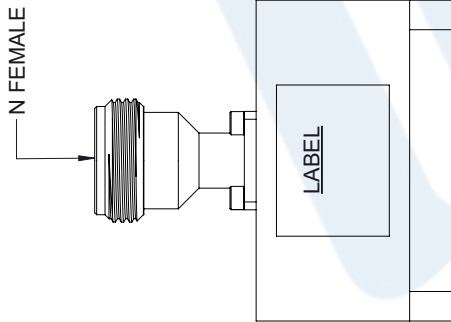
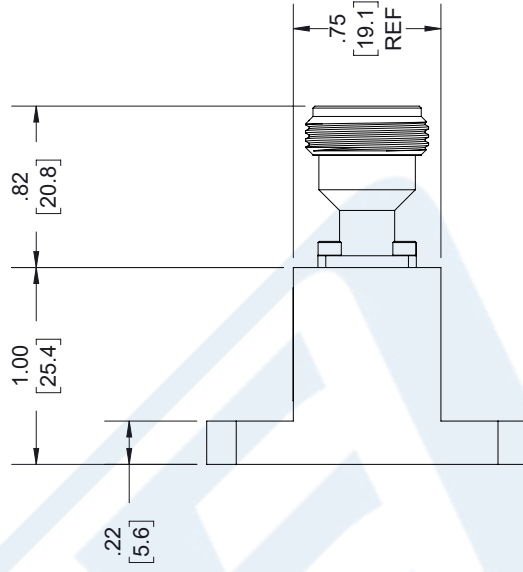
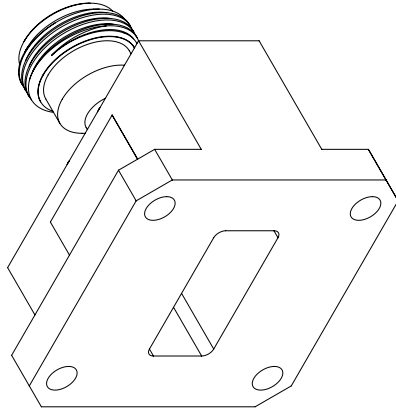
The information contained in this document is accurate to the best of our knowledge and representative of the part described herein. It may be necessary to make modifications to the part and/or the documentation of the part, in order to implement improvements. Pasternack reserves the right to make such changes as required. Unless otherwise stated, all specifications are nominal. Pasternack does not make any representation or warranty regarding the suitability of the part described herein for any particular purpose, and Pasternack does not assume any liability arising out of the use of any part or documentation.

PE9868 CAD Drawing

WR-90 UG-135/U Square Cover Flange to End Launch N Female Waveguide to Coax Adapter Operating from 8.2 GHz to 12.4 GHz

REVISIONS

REV.	DESCRIPTION	DATE	APPROVED
A	PCR PE9868	7/27/2020	S. PONG



UNLESS OTHERWISE SPECIFIED LEADING DIMENSIONS ARE INCHES DIMENSIONS IN [] ARE MILLIMETERS

TOLERANCES:

.X = ±.2	[5.08]	FRACTIONS
.XX = ±.02	[.51]	± 1/32
.XXX = ±.005	[.13]	ANGLES ± 1°

CABLE LENGTH (L) TOLERANCES:

L ≤ 12	[305]	= +1 [25] / -0
12 [305] < L ≤ 60	[1524]	= +2 [51] / -0
60 [1524] < L ≤ 120	[3048]	= +4 [102] / -0
120 [3048] < L ≤ 300	[7620]	= +6 [152] / -0
300 [7620] < L		= +5%L / -0

ALL DIMENSIONS SHOWN ARE FOR REFERENCE ONLY.

THIRD-ANGLE PROJECTION

THE INFORMATION AND DESIGN IN THIS DOCUMENT IS THE PROPERTY OF PASTERNAK CORPORATION ALL RIGHTS RESERVED.

SHEET 1 OF 1

SCALE N/A

PE PASTERNAK
an INFINIT brand

Pasternack Enterprises, Inc.
P. O. Box 16759, Irvine, CA 92623.
Phone: 1.949.261.1920 | 1.866.727.8376
Fax: 1.949.261.7451
Website: www.pasternack.com
E-mail: sales@pasternack.com

ITEM NO. PE9868

SIZE A CAGE CODE 53919 DRAWN BY K.DANG

LABEL:
PASTERNAK
PE9868
D/C: YYWW

THESE COMMODITIES, TECHNOLOGY OR SOFTWARE WERE EXPORTED FROM THE UNITED STATES IN ACCORDANCE WITH THE EXPORT ADMINISTRATION REGULATIONS. DIVERSION CONTRARY TO U.S. LAW PROHIBITED.