



WR-75 Waveguide Standard Gain Horn Antenna
Operating from 10 GHz to 15 GHz with a Nominal
20 dBi Gain with Square Cover Flange

Waveguide Antennas Technical Data Sheet

PE9855A-20

Features

- Rectangular Waveguide Interface
- 10 GHz to 15 GHz
- 20 dBi Nominal Gain
- Square Cover Flange

Applications

- Antenna Measurements
- Wireless Communication
- Laboratory Use
- Microwave Radio Systems

Description

Pasternack's PE9855A-20 WR-75 waveguide standard gain horn antenna operating from 10 GHz to 15 GHz with a nominal 20 dBi gain is part of our full line of RF components available for same-day shipping. This Pasternack pyramidal horn antenna has a lightweight anodized aluminum body and a precision tolerance square cover flange. The PE9855A-20 WR-75 waveguide standard gain horn antenna offers low gain variation across its operating frequency range and 17.2 degrees of half power beam width. Waveguide standard gain horn antennas are used in a wide variety of applications due to their high power handling capability, low loss, high directivity, and near constant electrical performance across a broad bandwidth. Pasternack's WR-75 standard gain horns are available in 10, 15 and 20 dB models with pyramidal shape and rectangular waveguide input.

Configuration

Design: WR-75 Standard Gain Horn
 Pattern: Directional
 Polarization: Linear

Electrical Specifications

Description	Minimum	Typical	Maximum	Units
Frequency Range	10		15	GHz
Nominal Gain		20		dBi
Horizontal Half Power Beam Width		17.2		Degrees
Vertical Half Power Beam Width		16.3		Degrees

Electrical Specification Notes:
Half power beam width is calculated by computer simulation.

Mechanical Specifications

Size
 Length: 8 in [203.2 mm]
 Width: 4 in [101.6 mm]
 Height: 3.1 in [78.74 mm]
 Weight: 0.852 lbs [386.46 g]

Waveguide Interface

Waveguide Size: WR-75

Click the following link (or enter part number in "SEARCH" on website) to obtain additional part information including price, inventory and certifications: [WR-75 Waveguide Standard Gain Horn Antenna Operating from 10 GHz to 15 GHz with a Nominal 20 dBi Gain with Square Cover Flange PE9855A-20](#)



WR-75 Waveguide Standard Gain Horn Antenna
Operating from 10 GHz to 15 GHz with a Nominal
20 dBi Gain with Square Cover Flange

Waveguide Antennas Technical Data Sheet

PE9855A-20

Flange Type
Body Material and Plating

Square Cover
Anodized Aluminum, Paint

Compliance Certifications (see [product page](#) for current document)

Plotted and Other Data

WR-75 Waveguide Standard Gain Horn Antenna Operating from 10 GHz to 15 GHz with a Nominal 20 dBi Gain with Square Cover Flange from Pasternack Enterprises has same day shipment for domestic and International orders. Our RF, microwave and millimeter wave products maintain a 99.4% availability and are part of the broadest selection in the industry.

Click the following link (or enter part number in "SEARCH" on website) to obtain additional part information including price, inventory and certifications: [WR-75 Waveguide Standard Gain Horn Antenna Operating from 10 GHz to 15 GHz with a Nominal 20 dBi Gain with Square Cover Flange PE9855A-20](#)

URL: <https://www.pasternack.com/wr-75-waveguide-gain-horn-antenna-20dbi-square-flange-pe9855a-20-p.aspx>

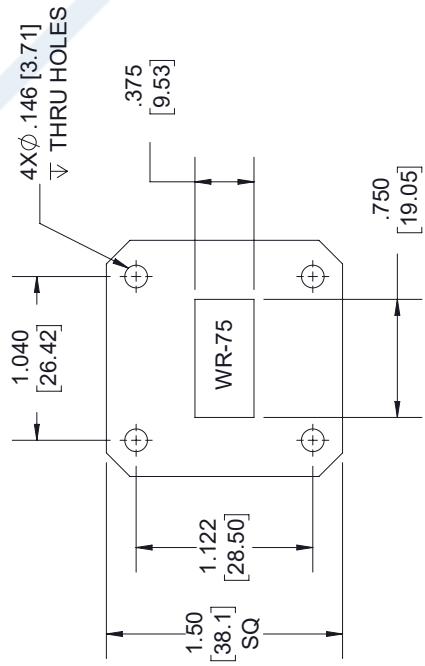
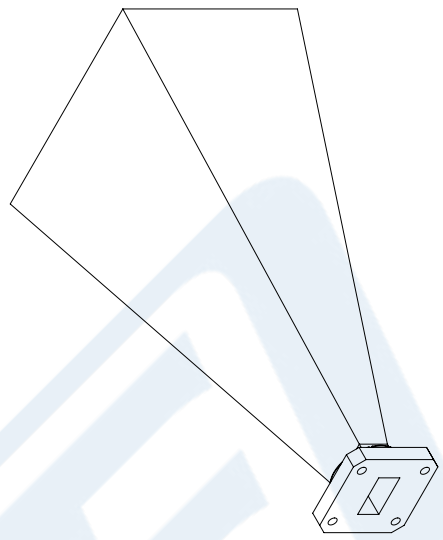
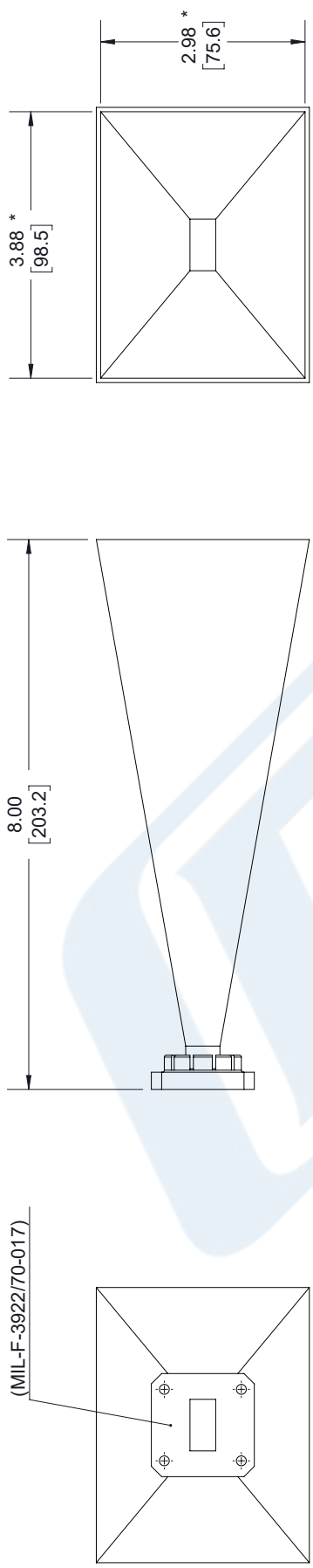
The information contained in this document is accurate to the best of our knowledge and representative of the part described herein. It may be necessary to make modifications to the part and/or the documentation of the part, in order to implement improvements. Pasternack reserves the right to make such changes as required. Unless otherwise stated, all specifications are nominal. Pasternack does not make any representation or warranty regarding the suitability of the part described herein for any particular purpose, and Pasternack does not assume any liability arising out of the use of any part or documentation.

PE9855A-20 CAD Drawing

WR-75 Waveguide Standard Gain Horn Antenna Operating from 10 GHz to 15 GHz with a Nominal 20 dBi Gain with Square Cover Flange

REVISIONS			
REV.	DESCRIPTION	DATE	APPROVED
A	INITIAL RELEASE	09/24/19	J.GARCIA

WR-75 WAVEGUIDE
STD COVER FLANGE
(MIL-F-3922/70-017)



FLANGE DETAIL

* INSIDE DIMENSION

UNLESS OTHERWISE SPECIFIED LEADING DIMENSIONS ARE INCHES DIMENSIONS IN [] ARE MILLIMETERS	
TOLERANCES:	FRACTIONS
X±.2 [5.08]	±.132
.XX±.01 [.25]	±.132
.XXX±.005 [.13]	ANGLES ± 1°
ALL DIMENSIONS SHOWN ARE FOR REFERENCE ONLY.	
THIRD-ANGLE PROJECTION	

PE PASTERNAK
an INFINITO brand

Pasternack Enterprises, Inc.
P.O. Box 16759, Irvine, CA 92623.
Phone: 1,949,261,1920 | 1,866,727,8376
Fax: 1,949,261,7451
www.pasternack.com | e-mail: sales@pasternack.com

THE INFORMATION AND DESIGN IN THIS DOCUMENT IS THE PROPERTY OF PASTERNAK CORPORATION. ALL RIGHTS RESERVED.

SHEET 1 OF 1
SCALE N/A

SIZE [CAGE CODE] DRAWN BY PART NUMBER REV
A 53919 K.DANG PE9855A-20 A

THESE COMMODITIES, TECHNOLOGY OR SOFTWARE WERE EXPORTED FROM THE UNITED STATES IN ACCORDANCE WITH THE EXPORT ADMINISTRATION REGULATIONS. DIVERSION CONTRARY TO U.S. LAW PROHIBITED.