





WR-51 Waveguide Standard Gain Horn Antenna  
Operating From 15 GHz to 22 GHz With a Nominal  
15 dBi Gain With Square Cover Flange

Gain Horns Technical Data Sheet

PE9853-15

**Waveguide Interface**

Waveguide Size

WR-51

Flange Type

Square Cover

Body Material and Plating

Anodized Aluminum, Paint

**Environmental Specifications**

**Compliance Certifications** (see [product page](#) for current document)

**Plotted and Other Data**

Notes:

WR-51 Waveguide Standard Gain Horn Antenna Operating From 15 GHz to 22 GHz With a Nominal 15 dBi Gain With Square Cover Flange from Pasternack Enterprises has same day shipment for domestic and International orders. Our RF, microwave and millimeter wave products maintain a 99.4% availability and are part of the broadest selection in the industry.

Click the following link (or enter part number in "SEARCH" on website) to obtain additional part information including price, inventory and certifications: [WR-51 Waveguide Standard Gain Horn Antenna Operating From 15 GHz to 22 GHz With a Nominal 15 dBi Gain With Square Cover Flange PE9853-15](#)

URL: <https://www.pasternack.com/standard-gain-horn-waveguide-size-wr51-pe9853-15-p.aspx>

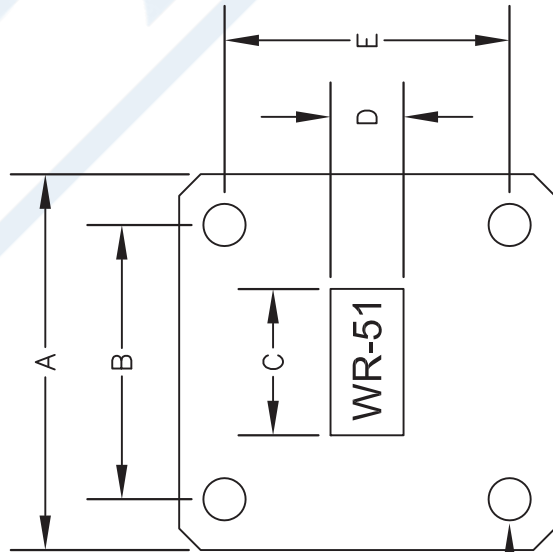
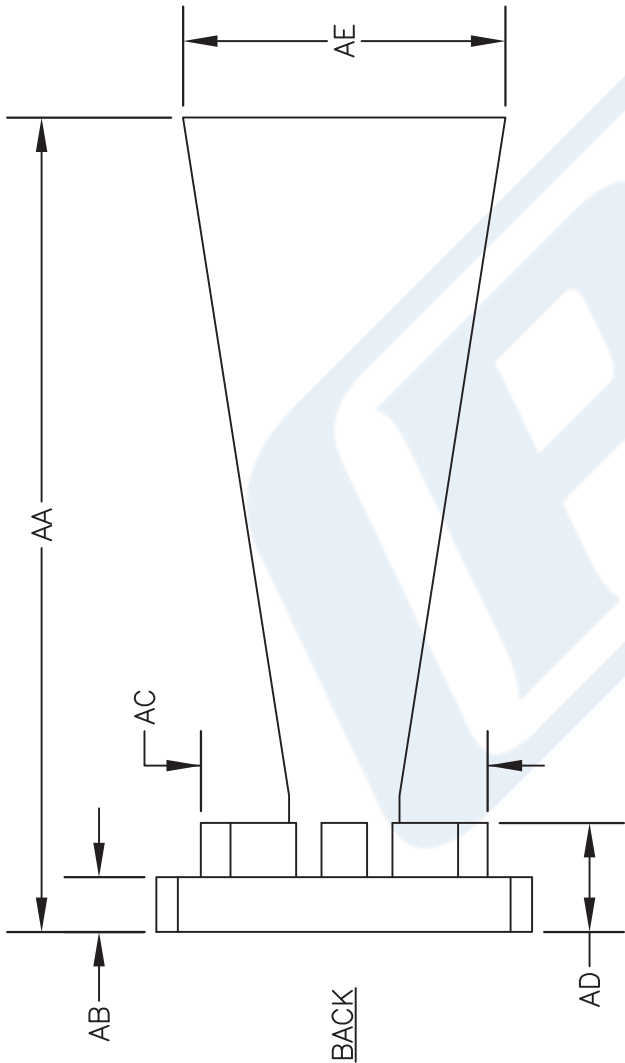
The information contained in this document is accurate to the best of our knowledge and representative of the part described herein. It may be necessary to make modifications to the part and/or the documentation of the part, in order to implement improvements. Pasternack reserves the right to make such changes as required. Unless otherwise stated, all specifications are nominal. Pasternack does not make any representation or warranty regarding the suitability of the part described herein for any particular purpose, and Pasternack does not assume any liability arising out of the use of any part or documentation.

# PE9853-15 CAD Drawing

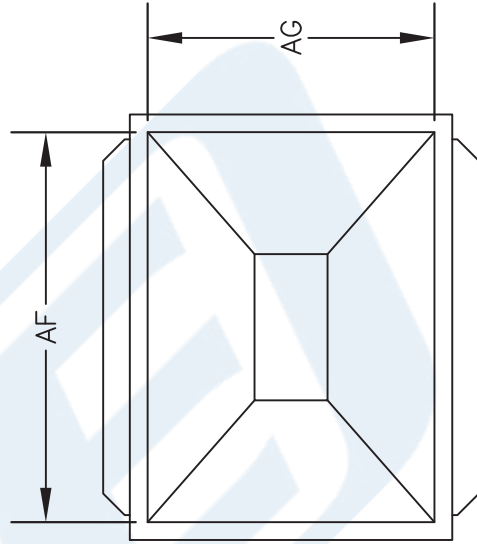
WR-51 Waveguide Standard Gain Horn Antenna Operating From 15 GHz to 22 GHz With a Nominal 15 dBi Gain With Square Cover Flange

WR51	Dimension	Inches	mm
A (SQ.)		1.310	33.27
B		0.956	24.28
C ( $\pm 0.005$ )		0.510	12.95
D ( $\pm 0.005$ )		0.255	6.48
E		0.994	25.25

AA		2.840	72.14
AB		0.191	4.85
AC (DIA.)		1.000	25.40
AD		0.380	9.65
AE		1.124	28.55
AF		1.360	34.54
AG		1.000	25.40



BACK VIEW



FRONT VIEW

DWG TITLE

**PE9853-15**

- NOTES:
1. UNLESS OTHERWISE SPECIFIED ALL DIMENSIONS ARE NOMINAL.
  2. ALL SPECIFICATIONS ARE SUBJECT TO CHANGE WITHOUT NOTICE AT ANY TIME.
  3. DIMENSIONS ARE IN INCHES [mm].

FSCM NO. 53919

CAD FILE 011516

SCALE N/A

SIZE A

2233

**PE PASTERNAK**  
THE ENGINEER'S RF SOURCE

Pasternack Enterprises, Inc.  
P.O. Box 16759 | Irvine | CA | 92623  
Phone: (949) 261-1920 | Fax: (949) 261-7451  
Website: www.pasternack.com | E-Mail: sales@pasternack.com