



WR-34 Waveguide Standard Gain Horn Antenna
 Operating from 22 GHz to 33 GHz with a Nominal
 15 dBi Gain with UG-1530/U Square Cover Flange

Waveguide Antennas Technical Data Sheet

PE9851A-15

Features

- Rectangular Waveguide Interface
- 22 GHz to 33 GHz
- 15 dBi Nominal Gain
- UG-1530/U Square Cover Flange

Applications

- Antenna Measurements
- Wireless Communication
- Laboratory Use
- Microwave Radio Systems

Description

Pasternack's PE9851A-15 WR-34 waveguide standard gain horn antenna operating from 22 GHz to 33 GHz with a nominal 15 dBi gain is part of our full line of RF components available for same-day shipping. This Pasternack pyramidal horn antenna has a lightweight anodized aluminum body and a precision tolerance UG-1530/U square cover flange. The PE9851-15 WR-34 waveguide standard gain horn antenna offers low gain variation across its operating frequency range, 23.1 degrees of vertical half power beam width and 40.8 degrees of horizontal half power beam width.

Waveguide standard gain horn antennas are used in a wide variety of applications due to their high power handling capability, low loss, high directivity, and near constant electrical performance across a broad bandwidth. Pasternack's WR-34 standard gain horns are available in 10, 15 and 20 dB models with pyramidal shape and rectangular waveguide input.

Configuration

Design	WR-34 Standard Gain Horn
Pattern	Directional
Polarization	Linear

Electrical Specifications

Description	Minimum	Typical	Maximum	Units
Frequency Range	22		33	GHz
Nominal Gain		15		dBi
Horizontal Half Power Beam Width		40.8		Degrees
Vertical Half Power Beam Width		23.1		Degrees

Electrical Specification Notes:
 Half power beam width is calculated by computer simulation.

Mechanical Specifications

Size	
Length	2.12 in [53.85 mm]
Width	1.068 in [27.13 mm]
Height	0.875 in [22.23 mm]
Weight	0.057 lbs [25.85 g]

Click the following link (or enter part number in "SEARCH" on website) to obtain additional part information including price, inventory and certifications: [WR-34 Waveguide Standard Gain Horn Antenna Operating from 22 GHz to 33 GHz with a Nominal 15 dBi Gain with UG-1530/U Square Cover Flange PE9851A-15](#)



WR-34 Waveguide Standard Gain Horn Antenna
Operating from 22 GHz to 33 GHz with a Nominal
15 dBi Gain with UG-1530/U Square Cover Flange

Waveguide Antennas Technical Data Sheet

PE9851A-15

Waveguide Interface

Waveguide Size	WR-34
Flange Type	Square Cover
Flange Designation	UG-1530/U
Body Material and Plating	Anodized Aluminum, Paint

Compliance Certifications (see [product page](#) for current document)

Plotted and Other Data

WR-34 Waveguide Standard Gain Horn Antenna Operating from 22 GHz to 33 GHz with a Nominal 15 dBi Gain with UG-1530/U Square Cover Flange from Pasternack Enterprises has same day shipment for domestic and International orders. Our RF, microwave and millimeter wave products maintain a 99.4% availability and are part of the broadest selection in the industry.

Click the following link (or enter part number in "SEARCH" on website) to obtain additional part information including price, inventory and certifications: [WR-34 Waveguide Standard Gain Horn Antenna Operating from 22 GHz to 33 GHz with a Nominal 15 dBi Gain with UG-1530/U Square Cover Flange PE9851A-15](#)

URL: <https://www.pasternack.com/wr-34-waveguide-gain-horn-antenna-15dbi-ug-1530-square-flange-pe9851a-15-p.aspx>

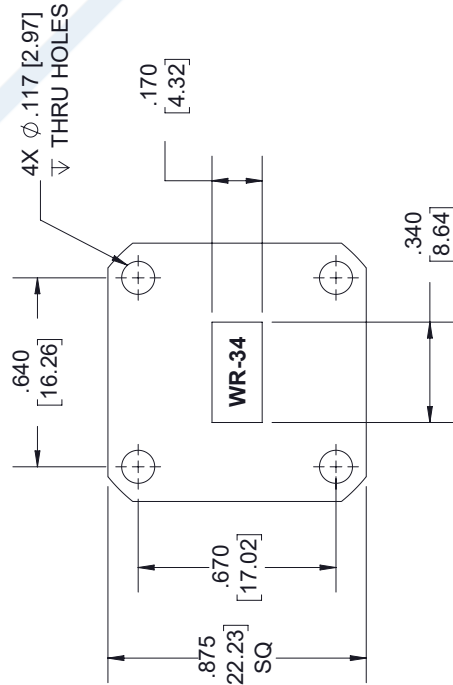
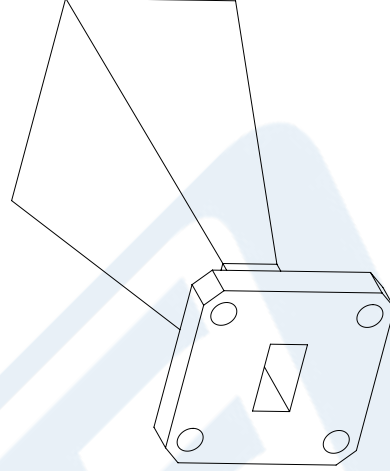
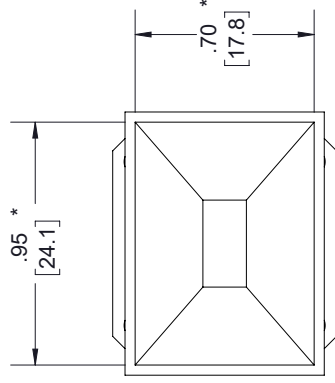
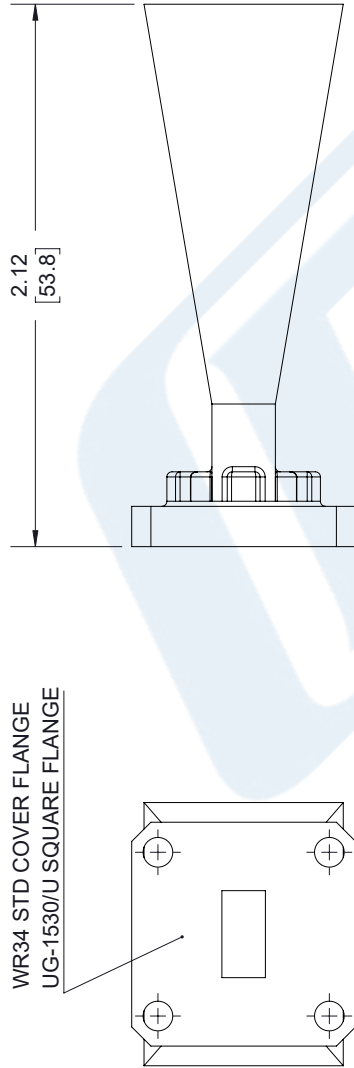
The information contained in this document is accurate to the best of our knowledge and representative of the part described herein. It may be necessary to make modifications to the part and/or the documentation of the part, in order to implement improvements. Pasternack reserves the right to make such changes as required. Unless otherwise stated, all specifications are nominal. Pasternack does not make any representation or warranty regarding the suitability of the part described herein for any particular purpose, and Pasternack does not assume any liability arising out of the use of any part or documentation.

PE9851A-15 CAD Drawing

WR-34 Waveguide Standard Gain Horn Antenna Operating from 22 GHz to 33 GHz with a Nominal 15 dBi Gain with UG-1530/U Square Cover Flange

REVISIONS			
REV.	DESCRIPTION	DATE	APPROVED
A	PCR PE9851A-15 20191025	11/07/19	J.GARCIA

WR34 STD COVER FLANGE
UG-1530/U SQUARE FLANGE



* INSIDE DIMENSION

UNLESS OTHERWISE SPECIFIED
LEADING DIMENSIONS ARE INCHES
DIMENSIONS IN [] ARE MILLIMETERS

TOLERANCES:
 .X = ±.2 [5.08] FRACTIONS ±.1/32
 .XX = ±.02 [.51] ANGLES ± 1°
 .XXX = ±.005 [.13] CABLE LENGTH (L) TOLERANCES:
 L ≤ 12 [305] = +1 [25] / -0
 12 [305] < L ≤ 60 [1524] = +2 [51] / -0
 60 [1524] < L ≤ 120 [3048] = +4 [102] / -0
 120 [3048] < L ≤ 300 [7620] = +6 [152] / -0
 300 [7620] < L = +5%L / -0

ALL DIMENSIONS SHOWN
ARE FOR REFERENCE ONLY.

PE PASTERNAK
an INFINITI® brand

Pasternack Enterprises, Inc.
P. O. Box 16759, Irvine, CA 92623.
Phone: 1.949.261.1920 | 1.866.727.8376
Fax: 1.949.261.7451
Website: www.pasternack.com
E-mail: sales@pasternack.com

THIRD-ANGLE PROJECTION

THE INFORMATION AND DESIGN IN THIS DOCUMENT IS THE PROPERTY OF PASTERNAK CORPORATION. ALL RIGHTS RESERVED.

SHEET 1 OF 1
SCALE N/A

SIZE A CAGE CODE A 53919 DRAWN BY K.DANG PART NUMBER PE9851A-15 REV A

THESE COMMODITIES, TECHNOLOGY OR SOFTWARE WERE EXPORTED FROM THE UNITED STATES IN ACCORDANCE WITH THE EXPORT ADMINISTRATION REGULATIONS. DIVERSION CONTRARY TO U.S. LAW PROHIBITED.