



WR-90 Square Type Flange to End Launch SMA Female
Waveguide to Coax Adapter Operating from 8.2 GHz to 12.4 GHz

Waveguide to Coax Adapters Technical Data Sheet

PE9848

Features

- X Band, 8.2 to 12.4 GHz Frequency Range
- WR-90 Waveguide Interface with Square Type Flange
- SMA Female Coaxial Interface
- Comprehensive waveguide offerings also include E-Bends, H-Bends, Sections, Filters, Terminations, Couplers, and more.

Description

The PE9848 is a waveguide to coaxial adapter operating in the X band with a 8.2 to 12.4 GHz frequency range. This adapter offers a WR-90 waveguide interface size coupled with a precision tolerance square Type flange. The PE9848 is constructed of aluminum to ensure durability and repeatable RF performance. The SMA female connector mates with commercially available 2.92mm and 3.5mm connectors. The package is REACH and RoHS compliant.

Configuration

Waveguide Size	WR-90
Flange	Square Type
RF Connector	SMA Female
Impedance	50 Ohms
Body Geometry	End Launch

Electrical Specifications

Description	Minimum	Typical	Maximum	Units
Frequency Range	8.2		12.4	GHz
VSWR			1.4:1	
Input Power (Peak)			100	Watts

Mechanical Specifications

Size	
Length	1.437 in [36.5 mm]
Width	1.63 in [41.4 mm]
Height	1.63 in [41.4 mm]
Weight	0.213 lbs [96.62 g]

RF Connector	
Connector Type	SMA Female
Body Material and Plating	Stainless Steel

Waveguide Interface	
Waveguide Type	WR-90
Flange Type	Square Type
Body Material and Plating	Aluminum

Click the following link (or enter part number in "SEARCH" on website) to obtain additional part information including price, inventory and certifications: [WR-90 Square Type Flange to End Launch SMA Female Waveguide to Coax Adapter Operating from 8.2 GHz to 12.4 GHz PE9848](#)



WR-90 Square Type Flange to End Launch SMA Female
Waveguide to Coax Adapter Operating from 8.2 GHz to 12.4 GHz

Waveguide to Coax Adapters Technical Data Sheet

PE9848

Environmental Specifications

Temperature

Operating Range

-40 to +85 deg C

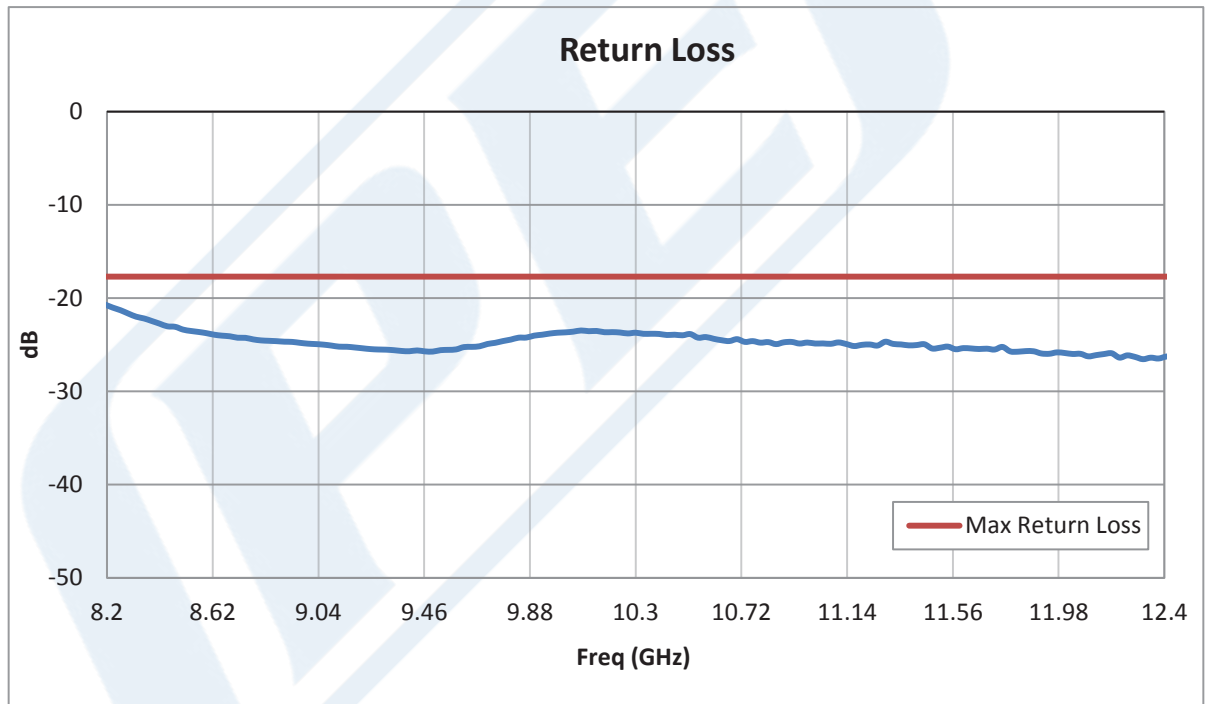
Compliance Certifications (see [product page](#) for current document)

Plotted and Other Data

Notes:

- Values at +25 °C, sea level unless stated otherwise

Typical Performance Data



Click the following link (or enter part number in "SEARCH" on website) to obtain additional part information including price, inventory and certifications: [WR-90 Square Type Flange to End Launch SMA Female Waveguide to Coax Adapter Operating from 8.2 GHz to 12.4 GHz PE9848](#)



WR-90 Square Type Flange to End Launch SMA Female Waveguide to Coax Adapter Operating from 8.2 GHz to 12.4 GHz

Waveguide to Coax Adapters Technical Data Sheet

PE9848

WR-90 Square Type Flange to End Launch SMA Female Waveguide to Coax Adapter Operating from 8.2 GHz to 12.4 GHz from Pasternack Enterprises has same day shipment for domestic and International orders. Our RF, microwave and millimeter wave products maintain a 99.4% availability and are part of the broadest selection in the industry.

Click the following link (or enter part number in "SEARCH" on website) to obtain additional part information including price, inventory and certifications: [WR-90 Square Type Flange to End Launch SMA Female Waveguide to Coax Adapter Operating from 8.2 GHz to 12.4 GHz PE9848](https://www.pasternack.com/wr-90-sma-female-end-launch-waveguide-coax-adapter-8.2-ghz-12.4-ghz-pe9848-p.aspx)

URL: <https://www.pasternack.com/wr-90-sma-female-end-launch-waveguide-coax-adapter-8.2-ghz-12.4-ghz-pe9848-p.aspx>

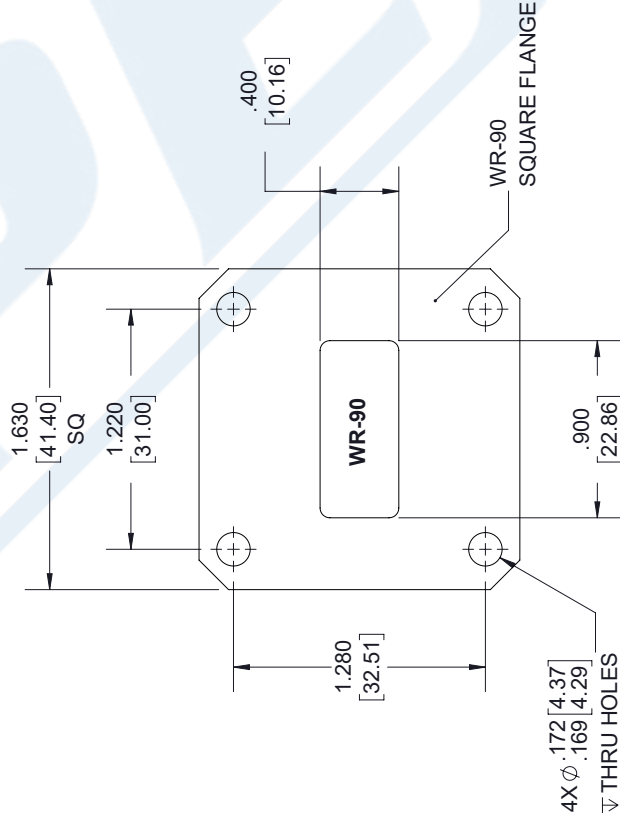
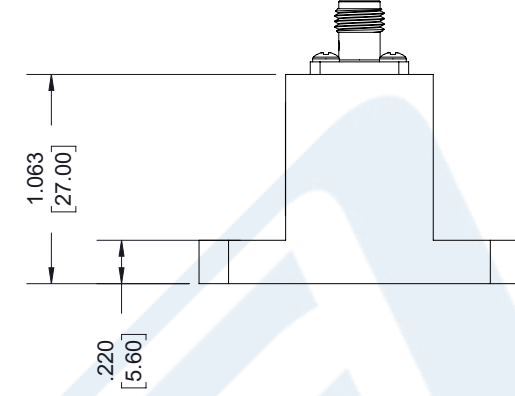
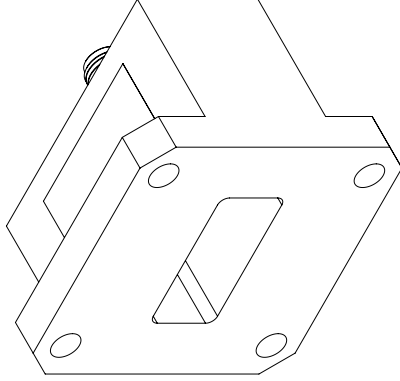
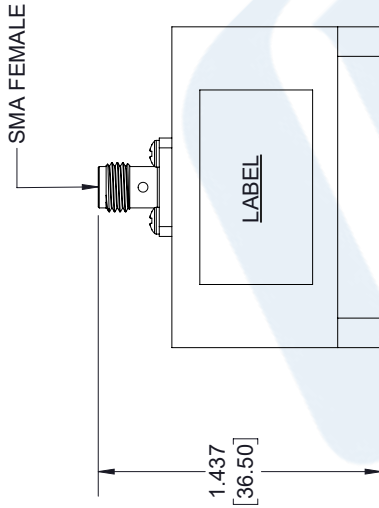
The information contained in this document is accurate to the best of our knowledge and representative of the part described herein. It may be necessary to make modifications to the part and/or the documentation of the part, in order to implement improvements. Pasternack reserves the right to make such changes as required. Unless otherwise stated, all specifications are nominal. Pasternack does not make any representation or warranty regarding the suitability of the part described herein for any particular purpose, and Pasternack does not assume any liability arising out of the use of any part or documentation.

PE9848 CAD Drawing

WR-90 Square Type Flange to End Launch SMA Female Waveguide to Coax Adapter Operating from 8.2 GHz to 12.4 GHz

REVISIONS

REV.	DESCRIPTION	DATE	APPROVED
1.4	PCR PE9848 04102019	04/24/19	J.GARCIA



LABEL:

PASTERNAK
PE9848 WR-90
 8.2 - 12.4 GHz
 YYWW

UNLESS OTHERWISE SPECIFIED
 LEADING DIMENSIONS ARE IN INCHES
 DIMENSIONS IN [] ARE MILLIMETERS

TOLERANCES:
 X±.2 [5.08] FRACTIONS
 .XX±.01 [.25] ±.132
 .XXX±.005 [0.13] ANGLES ± 1°

ALL DIMENSIONS SHOWN
 ARE FOR REFERENCE ONLY.

THIRD-ANGLE PROJECTION



Pasternack Enterprises, Inc.
 P.O. Box 16759, Irvine, CA 92623.
 Phone: 1.949.261.1920 | 1.866.727.8376
 Fax: 1.949.261.7451
 www.pasternack.com | e-mail: sales@pasternack.com

THE INFORMATION AND
 DESIGN IN THIS DOCUMENT
 IS THE PROPERTY OF
 PASTERNAK CORPORATION.
 ALL RIGHTS RESERVED.

SHEET 1 OF 1
 SCALE N/A

REV 1.4

SIZE A
 CAGE 53919
 DRAWN BY K.DANG
 PART NUMBER PE9848

THESE COMMODITIES, TECHNOLOGY OR SOFTWARE WERE EXPORTED FROM THE UNITED STATES IN ACCORDANCE WITH THE EXPORT ADMINISTRATION REGULATIONS. DIVERSION CONTRARY TO U.S. LAW PROHIBITED.