



WR-284 CMR-284 Flange to SMA Female Waveguide to Coax Adapter Operating from 2.6 GHz to 3.95 GHz

Waveguide to Coax Adapters Technical Data Sheet

PE9834

Features

- S Band, 2.6 to 3.95 GHz Frequency Range
- WR-284 Waveguide Interface with CMR-284 Flange
- SMA Female Coaxial Interface
- Comprehensive waveguide offerings also include E-Bends, H-Bends, Sections, Filters, Terminations, Couplers, and more.

Description

The PE9834 is a waveguide to coaxial adapter operating in the S band with a 2.6 to 3.95 GHz frequency range. This adapter offers a WR-284 waveguide interface size coupled with a precision tolerance CMR-284 flange. The PE9834 is constructed of aluminum to ensure durability and repeatable RF performance. The SMA female connector mates with commercially available 2.92mm and 3.5mm connectors. The package is REACH and RoHS compliant.

Configuration

Waveguide Size	WR-284
Flange	CMR-284
RF Connector	SMA Female
Impedance	50 Ohms
Body Geometry	Right Angle

Electrical Specifications

Description	Minimum	Typical	Maximum	Units
Frequency Range	2.6		3.95	GHz
VSWR			1.25:1	

Mechanical Specifications

Size	
Length	3.84 in [97.54 mm]
Width	2.5 in [63.5 mm]
Height	2.47 in [62.74 mm]
Weight	0.4859 lbs [220.4 g]
RF Connector	
Connector Type	SMA Female
Waveguide Interface	
Waveguide Type	WR-284
Flange Type	CMR-284
Body Material and Plating	Aluminum

Click the following link (or enter part number in "SEARCH" on website) to obtain additional part information including price, inventory and certifications: [WR-284 CMR-284 Flange to SMA Female Waveguide to Coax Adapter Operating from 2.6 GHz to 3.95 GHz PE9834](#)



WR-284 CMR-284 Flange to SMA Female Waveguide to Coax Adapter Operating from 2.6 GHz to 3.95 GHz

Waveguide to Coax Adapters Technical Data Sheet

PE9834

Compliance Certifications (see [product page](#) for current document)

Plotted and Other Data

Notes:

- Values at +25 °C, sea level unless stated otherwise

WR-284 CMR-284 Flange to SMA Female Waveguide to Coax Adapter Operating from 2.6 GHz to 3.95 GHz from Pasternack Enterprises has same day shipment for domestic and International orders. Our RF, microwave and millimeter wave products maintain a 99.4% availability and are part of the broadest selection in the industry.

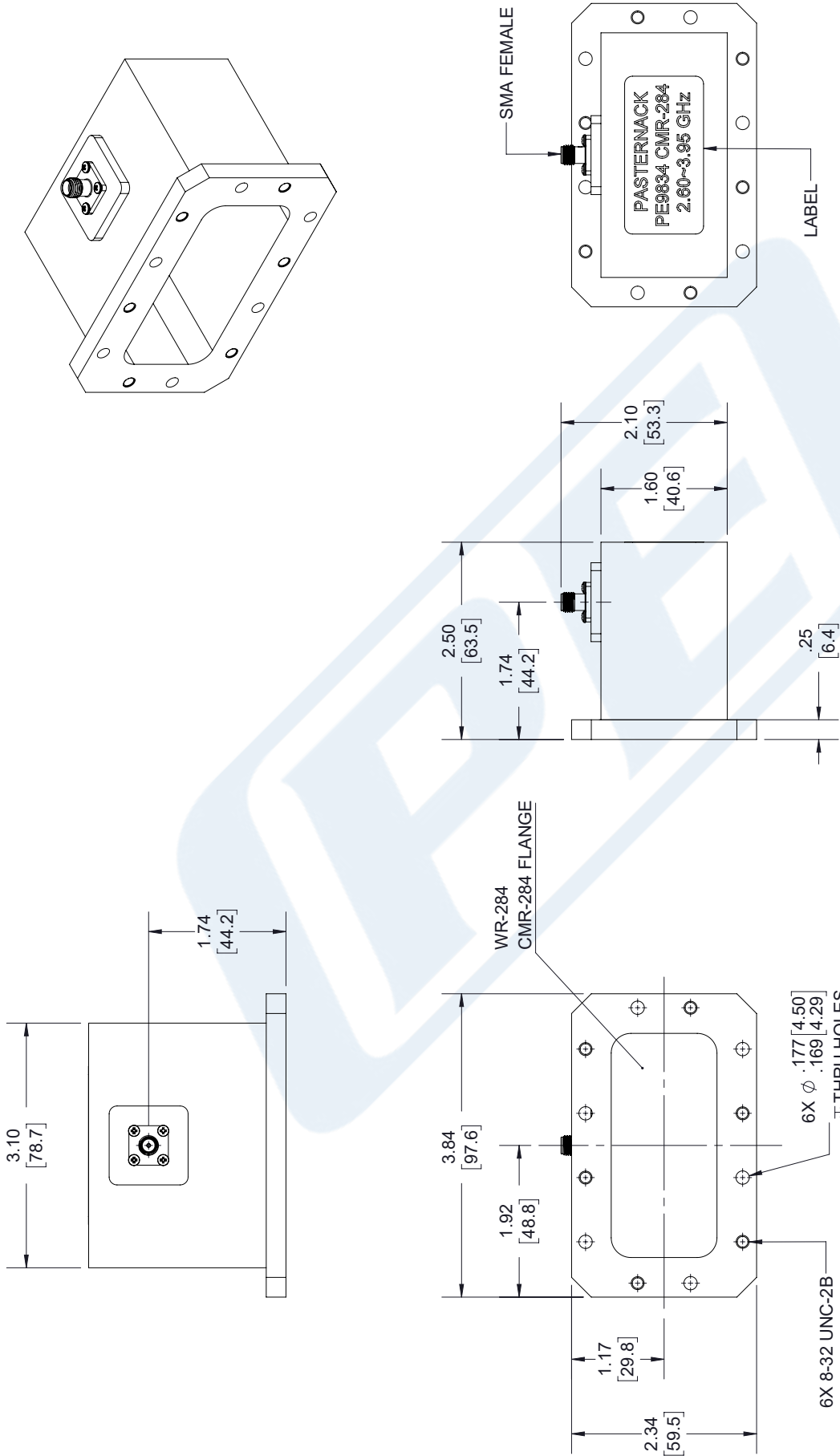
Click the following link (or enter part number in "SEARCH" on website) to obtain additional part information including price, inventory and certifications: [WR-284 CMR-284 Flange to SMA Female Waveguide to Coax Adapter Operating from 2.6 GHz to 3.95 GHz PE9834](#)

URL: <https://www.pasternack.com/wr-284-sma-female-waveguide-coax-adapter-2.6-ghz-3.95-ghz-pe9834-p.aspx>

The information contained in this document is accurate to the best of our knowledge and representative of the part described herein. It may be necessary to make modifications to the part and/or the documentation of the part, in order to implement improvements. Pasternack reserves the right to make such changes as required. Unless otherwise stated, all specifications are nominal. Pasternack does not make any representation or warranty regarding the suitability of the part described herein for any particular purpose, and Pasternack does not assume any liability arising out of the use of any part or documentation.

PE9834 CAD Drawing

WR-284 CMR-284 Flange to SMA Female Waveguide to Coax Adapter Operating from 2.6 GHz to 3.95 GHz



STANDARD TOLERANCES	
.X	± 0.2
.XX	± 0.01
.XXX	± 0.005

*STANDARD TOLERANCES APPLY ONLY TO DIMENSIONS IN INCHES



Pasternack Enterprises, Inc.
P.O. Box 16759 | Irvine | CA | 92623
Phone: (949) 261-1920 | **Fax:** (949) 261-7451
Website: www.pasternack.com | **E-Mail:** sales@pasternack.com

DWG TITLE

PE9834

NOTES:
1. UNLESS OTHERWISE SPECIFIED ALL DIMENSIONS ARE NOMINAL.
2. ALL SPECIFICATIONS ARE SUBJECT TO CHANGE WITHOUT NOTICE AT ANY TIME.
3. DIMENSIONS ARE IN INCHES [mm].

CAGE CODE 53919

CAD FILE 12/28/18

SCALE N/A

SIZE A

7361