



WR-159 CMR-159 Flange to N Female Waveguide to Coax Adapter Operating from 4.9 GHz to 7.05 GHz

Waveguide to Coax Adapters Technical Data Sheet

PE9821

Features

- C Band, 4.9 to 7.05 GHz Frequency Range
- WR-159 Waveguide Interface with CMR-159 Flange
- N Female Coaxial Interface
- Comprehensive waveguide offerings also include E-Bends, H-Bends, Sections, Filters, Terminations, Couplers, and more.

Description

The PE9821 is a waveguide to coaxial adapter operating in the C band with a 4.9 to 7.05 GHz frequency range. This adapter offers a WR-159 waveguide interface size coupled with a precision tolerance CMR-159 flange. The PE9821 is constructed of aluminum to ensure durability and repeatable RF performance. The coaxial connector offered by this adapter uses a N type Female connector and the package is REACH and RoHS compliant.

Configuration

Waveguide Size	WR-159
Flange	CMR-159
RF Connector	N Female
Impedance	50 Ohms
Body Geometry	Right Angle

Electrical Specifications

Description	Minimum	Typical	Maximum	Units
Frequency Range	4.9		7.05	GHz
VSWR			1.3:1	
Input Power (Peak)			300	Watts

Mechanical Specifications

Size	
Length	2.5 in [63.5 mm]
Width	1.75 in [44.45 mm]
Height	1.5 in [38.1 mm]
Weight	0.2875 lbs [130.41 g]

RF Connector

Connector Type	N Female
Body Material and Plating	Stainless Steel

Waveguide Interface

Waveguide Type	WR-159
Flange Type	CMR-159
Body Material and Plating	Aluminum

Click the following link (or enter part number in "SEARCH" on website) to obtain additional part information including price, inventory and certifications: [WR-159 CMR-159 Flange to N Female Waveguide to Coax Adapter Operating from 4.9 GHz to 7.05 GHz PE9821](#)



WR-159 CMR-159 Flange to N Female Waveguide to Coax Adapter Operating from 4.9 GHz to 7.05 GHz

Waveguide to Coax Adapters Technical Data Sheet

PE9821

Environmental Specifications

Temperature

Operating Range

-40 to +85 deg C

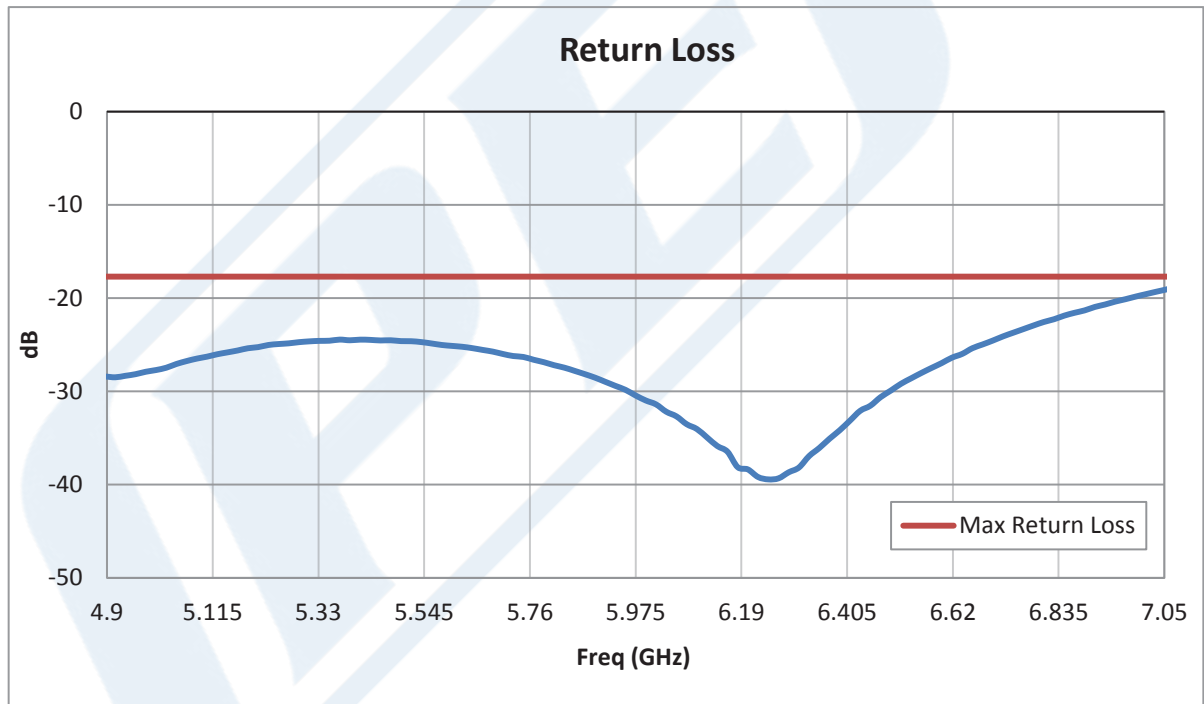
Compliance Certifications (see [product page](#) for current document)

Plotted and Other Data

Notes:

- Values at +25 °C, sea level unless stated otherwise

Typical Performance Data



Click the following link (or enter part number in "SEARCH" on website) to obtain additional part information including price, inventory and certifications: [WR-159 CMR-159 Flange to N Female Waveguide to Coax Adapter Operating from 4.9 GHz to 7.05 GHz PE9821](#)



WR-159 CMR-159 Flange to N Female Waveguide to Coax Adapter Operating from 4.9 GHz to 7.05 GHz

Waveguide to Coax Adapters Technical Data Sheet

PE9821

WR-159 CMR-159 Flange to N Female Waveguide to Coax Adapter Operating from 4.9 GHz to 7.05 GHz from Pasternack Enterprises has same day shipment for domestic and International orders. Our RF, microwave and millimeter wave products maintain a 99.4% availability and are part of the broadest selection in the industry.

Click the following link (or enter part number in "SEARCH" on website) to obtain additional part information including price, inventory and certifications: [WR-159 CMR-159 Flange to N Female Waveguide to Coax Adapter Operating from 4.9 GHz to 7.05 GHz PE9821](https://www.pasternack.com/wr-159-n-female-waveguide-coax-adapter-4.9-ghz-7.05-ghz-pe9821-p.aspx)

URL: <https://www.pasternack.com/wr-159-n-female-waveguide-coax-adapter-4.9-ghz-7.05-ghz-pe9821-p.aspx>

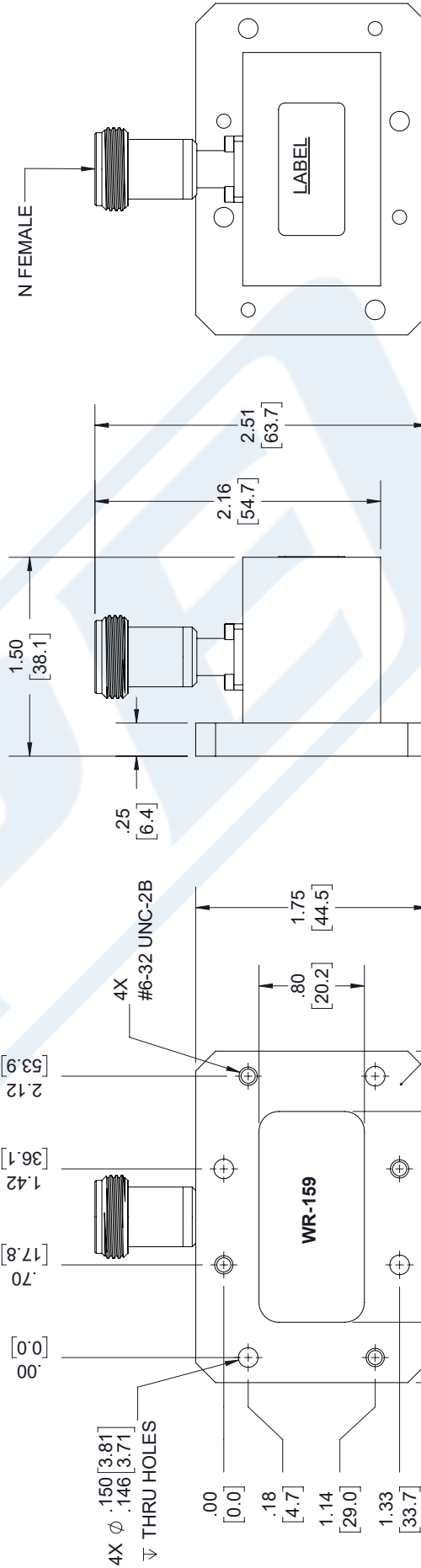
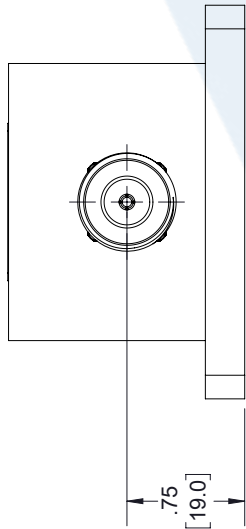
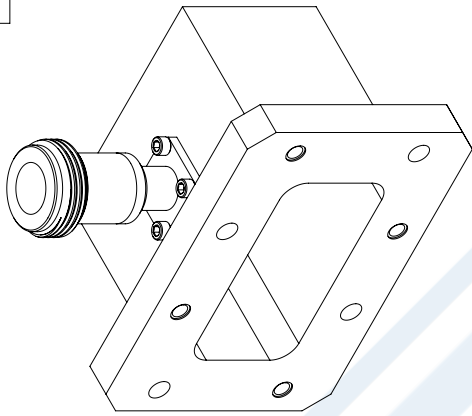
The information contained in this document is accurate to the best of our knowledge and representative of the part described herein. It may be necessary to make modifications to the part and/or the documentation of the part, in order to implement improvements. Pasternack reserves the right to make such changes as required. Unless otherwise stated, all specifications are nominal. Pasternack does not make any representation or warranty regarding the suitability of the part described herein for any particular purpose, and Pasternack does not assume any liability arising out of the use of any part or documentation.

PE9821 CAD Drawing

WR-159 CMR-159 Flange to N Female Waveguide to Coax Adapter Operating from 4.9 GHz to 7.05 GHz

REVISIONS

REV.	DESCRIPTION	DATE	APPROVED
1.2	PCR PE9821 04102019	04/27/19	J.GARCIA



UNLESS OTHERWISE SPECIFIED LEADING DIMENSIONS ARE IN INCHES DIMENSIONS IN [] ARE MILLIMETERS

TOLERANCES:

X±.2	(5.08)	FRACTIONS
XX±.01	(.25)	±.132
.XXX±.005	(.13)	ANGLES ± 1°

ALL DIMENSIONS SHOWN ARE FOR REFERENCE ONLY.

THIRD-ANGLE PROJECTION

THE INFORMATION AND DESIGN IN THIS DOCUMENT IS THE PROPERTY OF PASTERNAK CORPORATION. ALL RIGHTS RESERVED.

PE PASTERNAK
an INFINITO brand

Pasternack Enterprises, Inc.
P.O. Box 16759, Irvine, CA 92623.
Phone: 1.949.261.1920 | 1.866.727.8376
Fax: 1.949.261.7451
www.pasternack.com | e-mail: sales@pasternack.com

SHEET 1 OF 1
SCALE N/A

SIZE A
CAGE DRAWN BY K.DANG
PART NUMBER PE9821
REV 1.2

PASTERNAK
PE9821 WR90
4.90 - 7.05 GHz

THESE COMMODITIES, TECHNOLOGY OR SOFTWARE WERE EXPORTED FROM THE UNITED STATES IN ACCORDANCE WITH THE EXPORT ADMINISTRATION REGULATIONS. DIVERSION CONTRARY TO U.S. LAW PROHIBITED.