



WR-90 to N Male Waveguide to Coax
Adapter 8.2 GHz to 12.4 GHz

TECHNICAL DATA SHEET

PE9807

WR-90 to N Male Waveguide to Coax Adapter 8.2 GHz to 12.4 GHz

Configuration

Waveguide Interface	WR-90
RF Connector	N Male
RF Connector Impedance	50 Ohms

Electrical Specifications

Frequency Range, GHz	8.2 to 12.4
Maximum VSWR	1.15:1

Mechanical Specifications

Size

Length, in [mm]	1.292 [32.82]
Width/Dia., in [mm]	1.63 [41.4]
Height, in [mm]	2 [50.8]

Waveguide Interface

Type	WR-90
Body Material and Plating	Aluminum

RF Connector

Type	N Male
Body Material and Plating	Passivated Stainless Steel

Compliance Certifications (visit www.Pasternack.com for current document)

Plotted and Other Data

Notes: Values at 25 °C, sea level

WR-90 to N Male Waveguide to Coax Adapter 8.2 GHz to 12.4 GHz from Pasternack Enterprises has same day shipment for domestic and International orders. Our RF, microwave and fiber optic products maintain a 99% availability and are part of the broadest selection in the industry.

Click the following link (or enter part number in "SEARCH" on website) to obtain additional part information including price, inventory and certifications: [WR-90 to N Male Waveguide to Coax Adapter 8.2 GHz to 12.4 GHz PE9807](http://www.pasternack.com/waveguide-to-n-male-frequency-range-820-1240-ghz-pe9807-p.aspx)

URL: <http://www.pasternack.com/waveguide-to-n-male-frequency-range-820-1240-ghz-pe9807-p.aspx>

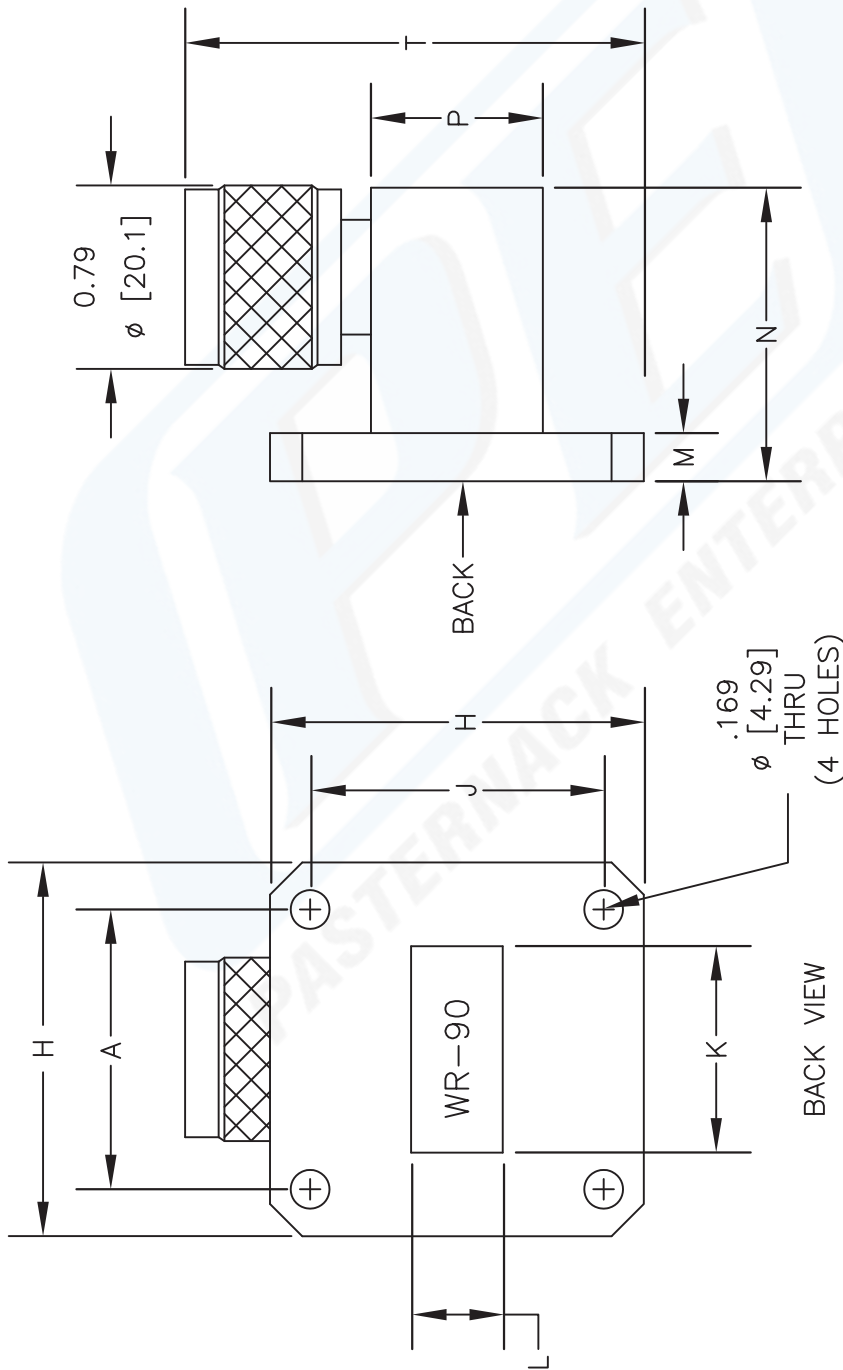
The information contained in this document is accurate to the best of our knowledge and representative of the part described herein. It may be necessary to make modifications to the part and/or the documentation of the part, in order to implement improvements. Pasternack reserves the right to make such changes as required. Unless otherwise stated, all specifications are nominal.



PE9807 CAD Drawing

WR-90 to N Male Waveguide to Coax Adapter 8.2 GHz to 12.4 GHz

WR90			
Dimension	Inches	mm	
A	1.220	30.99	
H	1.630	41.40	
J	1.280	32.51	
K (± 0.003)	0.900	22.86	
L (± 0.003)	0.400	10.16	
M	0.222	5.64	
N	1.292	32.82	
P	0.751	19.08	
T	2.000	50.80	



NOTES:
 1. UNLESS OTHERWISE SPECIFIED ALL DIMENSIONS ARE NOMINAL.
 2. ALL SPECIFICATIONS ARE SUBJECT TO CHANGE WITHOUT NOTICE AT ANY TIME.
 3. DIMENSIONS ARE IN INCHES [mm].

DWG TITLE
PE9807

FSCM NO. 53919

SCALE N/A

SIZE A

CAD FILE 032013-A

2233

PASTERNAK
 Pasternack Enterprises, Inc.
 P.O. Box 16759 | Irvine | CA | 92623
 Phone: (949) 261-1920 | Fax: (949) 261-7451
 Website: www.pasternack.com | E-Mail: sales@pasternack.com