



## N Male to QMA Female Adapter

### RF Adapters Technical Data Sheet

PE9787

#### Configuration

- N Male Connector 1
- QMA Female Connector 2
- 50 Ohms
- Straight Body Geometry

#### Features

- PIM levels lower than -130 dBc
- N Interface compliant with MIL-PRF-39012
- Gold Plated Beryllium Copper Contact

#### Applications

- Allows Connection Between Series
- General Purpose Test

#### Description

Pasternack's PE9787 type N male to QMA female adapter is part of our full line of RF components available for same-day shipping. Our type N to QMA adapter has a male to female gender configuration. PE9787 type N male to QMA female adapter operates to 11 GHz.

RF adapters are often used to enable connections between two connector types that would otherwise not mate. Certain adapter configurations can also be used to protect connectors on expensive equipment where the number of connect/disconnect cycles is high. An RF, microwave or millimeter wave adapter is connected to the equipment, and the commonly changed connection is made with the adapter which can be easily replaced when it wears out after high usage; such adapters are referred to as connector savers. Pasternack also offers bulkhead, panel mount, hermetically sealed, reverse polarity, and isolated ground adapter varieties to serve all of your RF, microwave and millimeter wave needs.

#### Electrical Specifications

Description	Minimum	Typical	Maximum	Units
Frequency Range	DC		11	GHz
Insertion Loss			0.05	dB
Passive Intermodulation using 2x20W tones (1,800 MHz)			-130	dBc
Operating Voltage (AC)			480	Vrms
Dielectric Withstanding Voltage (AC)			1,000	Vrms
Inner Conductor DC Resistance			3	mOhms
Outer Conductor DC Resistance			2.5	mOhms
Insulation Resistance	5,000			MOhms

Click the following link (or enter part number in "SEARCH" on website) to obtain additional part information including price, inventory and certifications: [N Male to QMA Female Adapter PE9787](#)



## N Male to QMA Female Adapter

### RF Adapters Technical Data Sheet

PE9787

#### Performance by Frequency

Description	F1	F2	F3	F4	F5	Units
Frequency Range	DC to 3	3 to 8				GHz
Return Loss, Max	-32	-21				dB

Electrical Specification Notes:  
 Values at 25°C, sea level.  
 RF leakage -95 dB max up to 2 GHz.

#### Mechanical Specifications

##### Size

Length	1.12 in [28.45 mm]
Width	0.83 in [21.08 mm]
Weight	0.116 lbs [52.62 g]

Description	Connector 1	Connector 2
Type	N Male	QMA Female
Polarity	Standard	Standard
Interface Specification	MIL-PRF-39012	
Mating Cycles	500	100
Hex Size	18 mm	
Mating Torque	12 to 15 in-lbs [1.36 to 1.70 Nm]	

#### Material Specifications

Description	Connector 1		Connector 2	
	Material	Plating	Material	Plating
Type	N Male		QMA Female	
Contact	Beryllium Copper	Gold	Beryllium Copper	Gold
Insulation	PTFE		PTFE	
Outer Conductor			Brass	Tri-Metal
Body	Brass	Tri-Metal		
Coupling Nut	Brass	Tri-Metal		

#### Environmental Specifications

##### Temperature

Operating Range	-40 to +85 deg C
Storage Range	-40 to +85 deg C

Click the following link (or enter part number in "SEARCH" on website) to obtain additional part information including price, inventory and certifications: [N Male to QMA Female Adapter PE9787](#)



## N Male to QMA Female Adapter

### RF Adapters Technical Data Sheet

PE9787

Vibration  
Thermal Shock  
Salt Spray

IEC 60068-2-64 random  
IEC 60169-1 16.4 (-40 to +85 °C)  
IEC 60169-1 16.7 (48 hours)

**Compliance Certifications** (see [product page](#) for current document)

#### Plotted and Other Data

Notes:

N Male to QMA Female Adapter from Pasternack Enterprises has same day shipment for domestic and International orders. Our RF, microwave and millimeter wave products maintain a 99% availability and are part of the broadest selection in the industry.

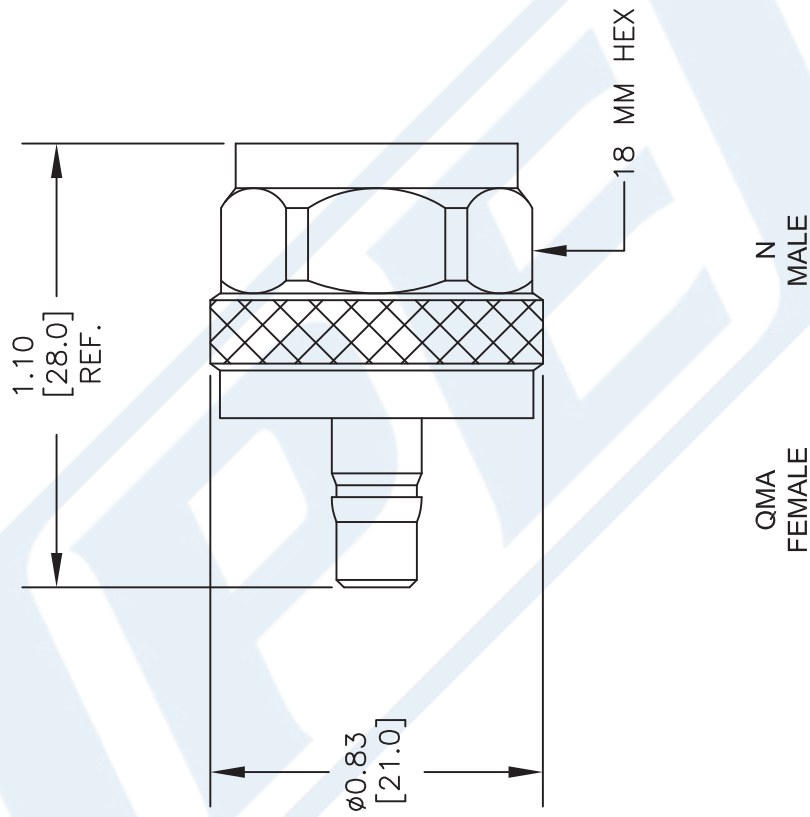
Click the following link (or enter part number in "SEARCH" on website) to obtain additional part information including price, inventory and certifications: [N Male to QMA Female Adapter PE9787](#)

URL: <https://www.pasternack.com/n-male-qma-female-straight-adapter-pe9787-p.aspx>

The information contained in this document is accurate to the best of our knowledge and representative of the part described herein. It may be necessary to make modifications to the part and/or the documentation of the part, in order to implement improvements. Pasternack reserves the right to make such changes as required. Unless otherwise stated, all specifications are nominal. Pasternack does not make any representation or warranty regarding the suitability of the part described herein for any particular purpose, and Pasternack does not assume any liability arising out of the use of any part or documentation.

# PE9787 CAD Drawing

## N Male to QMA Female Adapter



### STANDARD TOLERANCES

.X ±0.2  
.XX ±0.1  
.XXX ±0.05

\*STANDARD TOLERANCES APPLY ONLY TO DIMENSIONS IN INCHES



THE ENGINEER'S RF SOURCE

Pasternack Enterprises, Inc.

P.O. Box 16759 | Irvine | CA | 92623

Phone: (949) 261-1920 | Fax: (949) 261-7451

Website: www.pasternack.com | E-Mail: sales@pasternack.com

DWG TITLE

**PE9787**

NOTES:  
1. UNLESS OTHERWISE SPECIFIED ALL DIMENSIONS ARE NOMINAL.  
2. ALL SPECIFICATIONS ARE SUBJECT TO CHANGE WITHOUT NOTICE AT ANY TIME.  
3. DIMENSIONS ARE IN INCHES [mm].

FSCM NO. 53919

CAD FILE 090216

SCALE N/A

SIZE A

41742