



SMA Female to QMA Male Adapter

RF Adapters Technical Data Sheet

PE9786

Configuration

- SMA Female Connector 1
- QMA Male Connector 2
- 50 Ohms
- Straight Body Geometry

Features

- SMA Interface compliant with MIL-STD-348A
- Gold Plated Beryllium Copper Contact

Applications

- Allows Connection Between Series
- General Purpose Test

Description

Pasternack's PE9786 SMA female to QMA male adapter is part of our full line of RF components available for same-day shipping. The SMA connector mates mechanically with commercially available 3.5mm and 2.92mm (K) connectors. Our SMA to QMA adapter has a female to male gender configuration. PE9786 SMA female to QMA male adapter operates to 18 GHz.

RF adapters are often used to enable connections between two connector types that would otherwise not mate. Certain adapter configurations can also be used to protect connectors on expensive equipment where the number of connect/disconnect cycles is high. An RF, microwave or millimeter wave adapter is connected to the equipment, and the commonly changed connection is made with the adapter which can be easily replaced when it wears out after high usage; such adapters are referred to as connector savers. Pasternack also offers bulkhead, panel mount, hermetically sealed, reverse polarity, and isolated ground adapter varieties to serve all of your RF, microwave and millimeter wave needs.

Electrical Specifications

Description	Minimum	Typical	Maximum	Units
Frequency Range	DC		18	GHz
Operating Voltage (AC)			480	Vrms
Dielectric Withstanding Voltage (AC)			1,000	Vrms
Inner Conductor DC Resistance			3	mOhms
Outer Conductor DC Resistance			2.5	mOhms
Insulation Resistance	5,000			MOhms

Click the following link (or enter part number in "SEARCH" on website) to obtain additional part information including price, inventory and certifications: [SMA Female to QMA Male Adapter PE9786](#)



SMA Female to QMA Male Adapter

RF Adapters Technical Data Sheet

PE9786

Performance by Frequency

Description	F1	F2	F3	F4	F5	Units
Frequency Range	DC to 3	3 to 6				GHz
Return Loss, Max	-32	-28				dB

Electrical Specification Notes:

Values at 25°C, sea level.

Insertion loss (dB) = 0.03 x sqrt(FGHz) max up to 6 GHz.

RF leakage -70 dB max up to 6 GHz.

Mechanical Specifications

Size

Length	0.97 in [24.64 mm]
Width	0.41 in [10.41 mm]
Weight	0.017 lbs [7.71 g]

Description	Connector 1	Connector 2
Type	SMA Female	QMA Male
Polarity	Standard	Standard
Interface Specification	MIL-STD-348A	
Mating Cycles	100	100

Material Specifications

Description	Connector 1		Connector 2	
	Material	Plating	Material	Plating
Type	SMA Female		QMA Male	
Contact	Beryllium Copper	Gold	Beryllium Copper	Gold
Insulation	PTFE		PTFE	
Outer Conductor	Brass	Tri-Metal		
Body			Spring Bronze	Tri-Metal

Environmental Specifications

Temperature

Operating Range	-40 to +85 deg C
Storage Range	-40 to +85 deg C

Vibration	IEC 60068-2-64 random
Thermal Shock	IEC 60169-1 16.4 (-40 to +85 °C)

Click the following link (or enter part number in "SEARCH" on website) to obtain additional part information including price, inventory and certifications: [SMA Female to QMA Male Adapter PE9786](#)



SMA Female to QMA Male Adapter

RF Adapters Technical Data Sheet

PE9786

Salt Spray

IEC 60169-1 16.7 (48 hours)

Compliance Certifications (see [product page](#) for current document)

Plotted and Other Data

Notes:

SMA Female to QMA Male Adapter from Pasternack Enterprises has same day shipment for domestic and International orders. Our RF, microwave and millimeter wave products maintain a 99% availability and are part of the broadest selection in the industry.

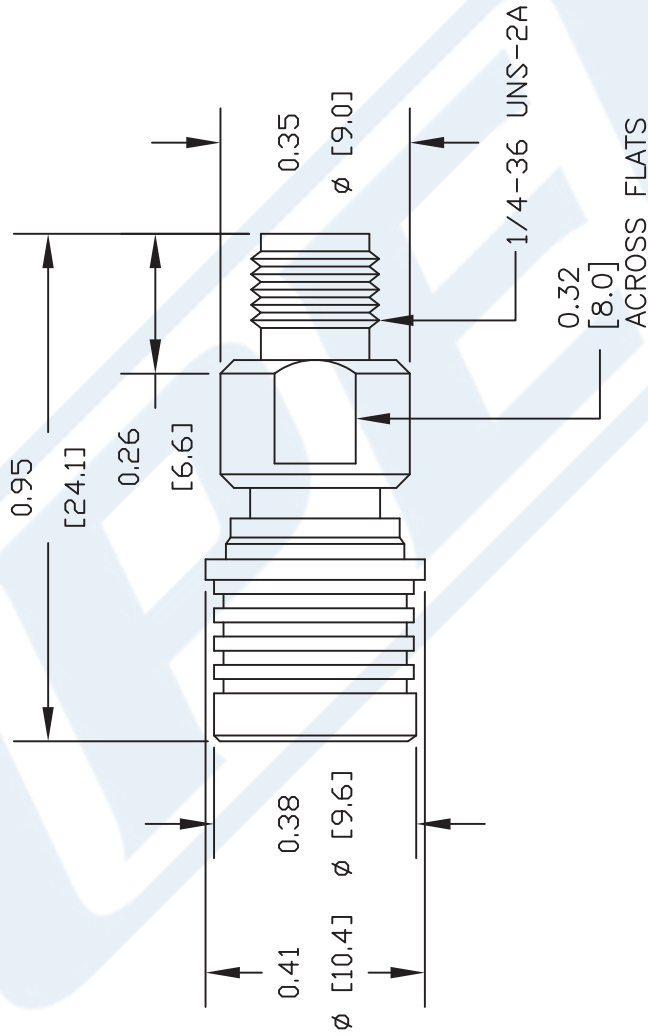
Click the following link (or enter part number in "SEARCH" on website) to obtain additional part information including price, inventory and certifications: [SMA Female to QMA Male Adapter PE9786](#)

URL: <https://www.pasternack.com/sma-female-qma-male-straight-adapter-pe9786-p.aspx>

The information contained in this document is accurate to the best of our knowledge and representative of the part described herein. It may be necessary to make modifications to the part and/or the documentation of the part, in order to implement improvements. Pasternack reserves the right to make such changes as required. Unless otherwise stated, all specifications are nominal. Pasternack does not make any representation or warranty regarding the suitability of the part described herein for any particular purpose, and Pasternack does not assume any liability arising out of the use of any part or documentation.

PE9786 CAD Drawing

SMA Female to QMA Male Adapter



NOTES:
 1. UNLESS OTHERWISE SPECIFIED ALL DIMENSIONS ARE NOMINAL.
 2. ALL SPECIFICATIONS ARE SUBJECT TO CHANGE WITHOUT NOTICE AT ANY TIME.
 3. DIMENSIONS ARE IN INCHES [mm].

DWG TITLE
PE9786

PASTERNAK ENTERPRISES, INC.
 P.O. BOX 16759, IRVINE, CA 92623
 PHONE (949) 261-1920 FAX (949) 261-7451
 WEB ADDRESS: www.pasternack.com
 E-MAIL ADDRESS: sales@pasternack.com
COAXIAL & FIBER OPTICS



127

SIZE A

SCALE N/A

CAD FILE 081808

FSCM NO. 53919

REV. -