



N Female to Reverse Polarity N Male Adapter

RF Adapters Technical Data Sheet

PE9770

Configuration

- N Female Connector 1
- N Male Reverse Polarity Connector 2
- 50 Ohms
- Straight Body Geometry

Features

- Gold Plated Phosphor Bronze Contact

Applications

- Connector Saver
- General Purpose Test

Description

Pasternack's PE9770 type N female to reverse polarity type N male adapter is part of our full line of RF components available for same-day shipping. PE9770 type N female to reverse polarity type N male adapter operates to 11 GHz. The PE9770 Pasternack RF adapter can also be used as a connector saver to extend equipment life.

RF adapters are often used to enable connections between two connector types that would otherwise not mate. Certain adapter configurations can also be used to protect connectors on expensive equipment where the number of connect/disconnect cycles is high. An RF, microwave or millimeter wave adapter is connected to the equipment, and the commonly changed connection is made with the adapter which can be easily replaced when it wears out after high usage; such adapters are referred to as connector savers. Pasternack also offers bulkhead, panel mount, hermetically sealed, reverse polarity, and isolated ground adapter varieties to serve all of your RF, microwave and millimeter wave needs.

Mechanical Specifications

Size

Length	1.5 in [38.1 mm]
Width	0.828 in [21.03 mm]
Weight	0.123 lbs [55.79 g]

Description	Connector 1	Connector 2
Type	N Female	N Male
Polarity	Standard	Reverse Polarity

Material Specifications

Description	Connector 1		Connector 2	
	Material	Plating	Material	Plating
Type	N Female		N Male Reverse Polarity	
Contact	Phosphor Bronze	Gold	Phosphor Bronze	Gold
Insulation	PTFE		PTFE	
Outer Conductor	Brass	Tri-Metal		
Body	Brass	Nickel	Brass	Nickel

Click the following link (or enter part number in "SEARCH" on website) to obtain additional part information including price, inventory and certifications: [N Female to Reverse Polarity N Male Adapter PE9770](#)



N Female to Reverse Polarity N Male Adapter

RF Adapters Technical Data Sheet

PE9770

Coupling Nut

Brass

Nickel

Environmental Specifications

Temperature

Operating Range

-65 to +165 deg C

Compliance Certifications (see [product page](#) for current document)

Plotted and Other Data

Notes:

N Female to Reverse Polarity N Male Adapter from Pasternack Enterprises has same day shipment for domestic and International orders. Our RF, microwave and millimeter wave products maintain a 99% availability and are part of the broadest selection in the industry.

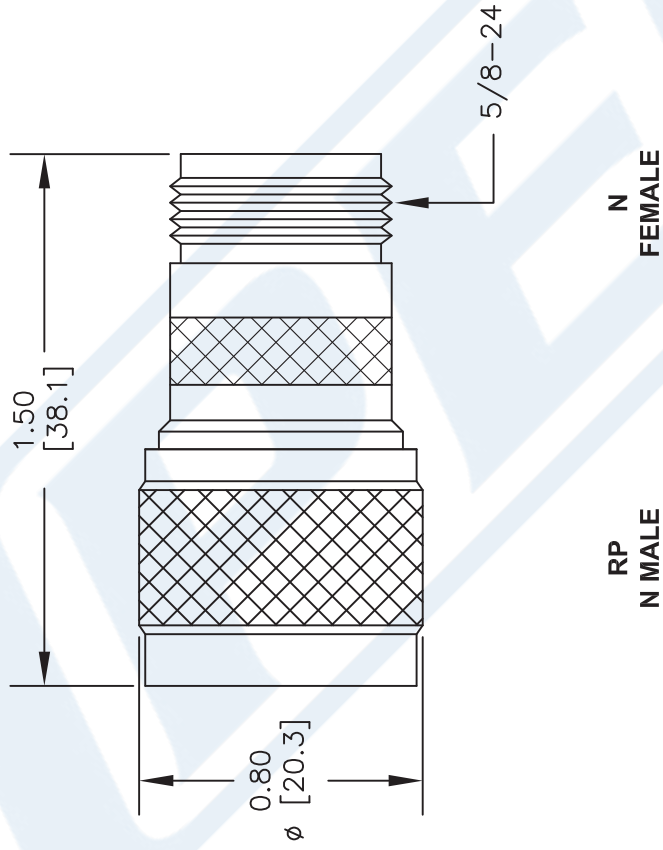
Click the following link (or enter part number in "SEARCH" on website) to obtain additional part information including price, inventory and certifications: [N Female to Reverse Polarity N Male Adapter PE9770](#)

URL: <https://www.pasternack.com/n-female-n-male-straight-adapter-pe9770-p.aspx>

The information contained in this document is accurate to the best of our knowledge and representative of the part described herein. It may be necessary to make modifications to the part and/or the documentation of the part, in order to implement improvements. Pasternack reserves the right to make such changes as required. Unless otherwise stated, all specifications are nominal. Pasternack does not make any representation or warranty regarding the suitability of the part described herein for any particular purpose, and Pasternack does not assume any liability arising out of the use of any part or documentation.

PE9770 CAD Drawing

N Female to Reverse Polarity N Male Adapter



NOTES:
 1. UNLESS OTHERWISE SPECIFIED ALL DIMENSIONS ARE NOMINAL.
 2. ALL SPECIFICATIONS ARE SUBJECT TO CHANGE WITHOUT NOTICE AT ANY TIME.
 3. DIMENSIONS ARE IN INCHES (mm).

DWG TITLE		FSCM NO. 53919		CAD FILE		SCALE		SIZE	
PE9770		53919		110614		N/A		A	

PE PASTERNAK
 THE ENGINEER'S RF SOURCE

Pasternack Enterprises, Inc.
 P.O. Box 16759 | Irvine | CA | 92623
 Phone: (949) 261-1920 | Fax: (949) 261-7451
 Website: www.pasternack.com | E-Mail: sales@pasternack.com