



## 10-32 Female to BNC Male Adapter

### RF Adapters Technical Data Sheet

PE9750

#### Configuration

- 10-32 Female Connector 1
- BNC Male Connector 2
- 50 Ohms
- Straight Body Geometry

#### Features

- 10-32 Interface compliant with MIL-C-39012
- BNC Interface compliant with MIL-STD-348
- Gold Plated Beryllium Copper Contact
- Contact Plating per MIL-G-45204

#### Applications

- Allows Connection Between Series
- General Purpose Test

#### Description

Pasternack's PE9750 10-32 female to BNC male adapter is part of our full line of RF components available for same-day shipping. Our 10-32 to BNC adapter has a female to male gender configuration.

RF adapters are often used to enable connections between two connector types that would otherwise not mate. Certain adapter configurations can also be used to protect connectors on expensive equipment where the number of connect/disconnect cycles is high. An RF, microwave or millimeter wave adapter is connected to the equipment, and the commonly changed connection is made with the adapter which can be easily replaced when it wears out after high usage; such adapters are referred to as connector savers. Pasternack also offers bulkhead, panel mount, hermetically sealed, reverse polarity, and isolated ground adapter varieties to serve all of your RF, microwave and millimeter wave needs.

#### Mechanical Specifications

##### Size

Length	1.106 in [28.09 mm]
Width	0.57 in [14.48 mm]
Weight	0.036 lbs [16.33 g]

Description	Connector 1	Connector 2
Type	10-32 Female	BNC Male
Polarity	Standard	Standard
Interface Specification	MIL-C-39012	MIL-STD-348

Click the following link (or enter part number in "SEARCH" on website) to obtain additional part information including price, inventory and certifications: [10-32 Female to BNC Male Adapter PE9750](#)



## 10-32 Female to BNC Male Adapter

### RF Adapters Technical Data Sheet

PE9750

#### Material Specifications

Description	Connector 1		Connector 2	
	Material	Plating	Material	Plating
Type	10-32 Female		BNC Male	
Contact	Beryllium Copper	Gold MIL-G-45204	Beryllium Copper	Gold MIL-G-45204
Insulation	PTFE		PTFE	
Outer Conductor	Brass	Nickel QQ-N-290		
Body			Brass	Nickel QQ-N-290
Coupling Nut			Brass	Nickel QQ-N-290

#### Environmental Specifications

##### Temperature

Operating Range -65 to +125 deg C

**Compliance Certifications** (see [product page](#) for current document)

#### Plotted and Other Data

Notes:

10-32 Female to BNC Male Adapter from Pasternack Enterprises has same day shipment for domestic and International orders. Our RF, microwave and millimeter wave products maintain a 99% availability and are part of the broadest selection in the industry.

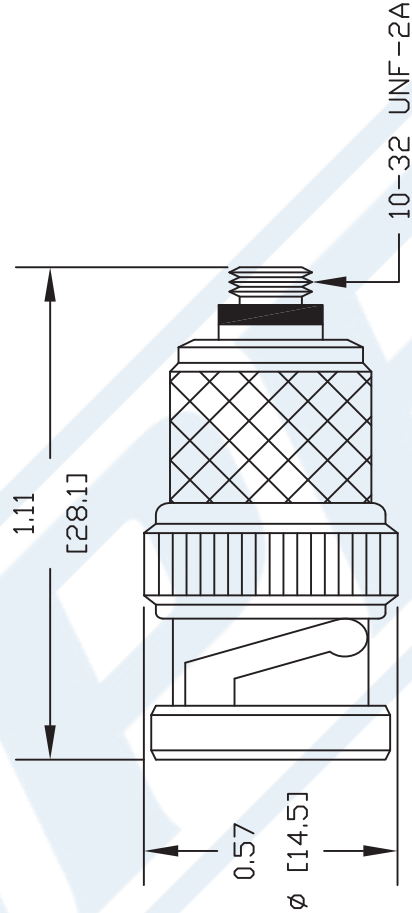
Click the following link (or enter part number in "SEARCH" on website) to obtain additional part information including price, inventory and certifications: [10-32 Female to BNC Male Adapter PE9750](#)

URL: <https://www.pasternack.com/10-32-female-bnc-male-straight-adapter-pe9750-p.aspx>

The information contained in this document is accurate to the best of our knowledge and representative of the part described herein. It may be necessary to make modifications to the part and/or the documentation of the part, in order to implement improvements. Pasternack reserves the right to make such changes as required. Unless otherwise stated, all specifications are nominal. Pasternack does not make any representation or warranty regarding the suitability of the part described herein for any particular purpose, and Pasternack does not assume any liability arising out of the use of any part or documentation.

# PE9750 CAD Drawing

## 10-32 Female to BNC Male Adapter



NOTES:  
 1. UNLESS OTHERWISE SPECIFIED ALL DIMENSIONS ARE NOMINAL.  
 2. ALL SPECIFICATIONS ARE SUBJECT TO CHANGE WITHOUT NOTICE AT ANY TIME.  
 3. DIMENSIONS ARE IN INCHES [mm].

DWG TITLE  
**PE9750**

**PASTERNAK ENTERPRISES, INC.**  
 P O BOX 16759, IRVINE, CA 92623  
 PHONE (949) 261-1920 FAX (949) 261-7451  
 WEB ADDRESS: [www.pasternack.com](http://www.pasternack.com)  
 E-MAIL ADDRESS: [sales@pasternack.com](mailto:sales@pasternack.com)  
**COAXIAL & FIBER OPTICS**



REV. -	FSCM NO. 53919	CAD FILE 071703	SCALE N/A	SIZE A	127
--------	----------------	-----------------	-----------	--------	-----