



Precision 1.85mm Male to N Male Adapter

TECHNICAL DATA SHEET

PE9718

**Precision 1.85mm Male to N Male Adapter**

**Configuration**

Connector 1	1.85mm Male
Impedance 1	50 Ohms
Connector 2	N Male
Impedance 2	50 Ohms
Adapter Design	Precision
Body Style	Straight

**Electrical Specifications**

Frequency Range, GHz	DC to 18
Maximum VSWR	1.25:1

**Mechanical Specifications**

**Size**

Length, in [mm]	1.665 [42.29]
Width/Dia., in [mm]	0.8 [20.32]

**Connector 1**

Type	1.85mm Male
Inner Conductor Material and Plating	Gold
Coupling Nut Material and Plating	Passivated Stainless Steel
Body Material and Plating	Passivated Stainless Steel
Dielectric Type	PTFE

**Connector 2**

Type	N Male
Inner Conductor Material and Plating	Gold
Body Material and Plating	Passivated Stainless Steel
Dielectric Type	PTFE

**Compliance Certifications** (visit [www.Pasternack.com](http://www.Pasternack.com) for current document)

RoHS Compliant	Yes
----------------	-----

Click the following link (or enter part number in "SEARCH" on website) to obtain additional part information including price, inventory and certifications: [Precision 1.85mm Male to N Male Adapter PE9718](#)

The information contained in this document is accurate to the best of our knowledge and representative of the part described herein. It may be necessary to make modifications to the part and/or the documentation of the part, in order to implement improvements. Pasternack reserves the right to make such changes as required. Unless otherwise stated, all specifications are nominal.





## Precision 1.85mm Male to N Male Adapter

### TECHNICAL DATA SHEET

PE9718

#### Plotted and Other Data

Notes:

Values at 25 °C, sea level

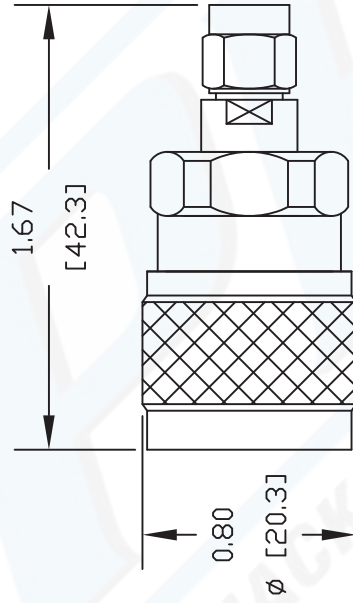
Precision 1.85mm Male to N Male Adapter from Pasternack Enterprises has same day shipment for domestic and International orders. Our RF, microwave and fiber optic products maintain a 99% availability and are part of the broadest selection in the industry.

Click the following link (or enter part number in "SEARCH" on website) to obtain additional part information including price, inventory and certifications: [Precision 1.85mm Male to N Male Adapter PE9718](#)

URL: <http://www.pasternack.com/1.85mm-male-n-male-straight-adapter-pe9718-p.aspx>

The information contained in this document is accurate to the best of our knowledge and representative of the part described herein. It may be necessary to make modifications to the part and/or the documentation of the part, in order to implement improvements. Pasternack reserves the right to make such changes as required. Unless otherwise stated, all specifications are nominal.

**PE9718 CAD Drawing**  
Precision 1.85mm Male to N Male Adapter



NOTES:  
 1. UNLESS OTHERWISE SPECIFIED ALL DIMENSIONS ARE NOMINAL.  
 2. ALL SPECIFICATIONS ARE SUBJECT TO CHANGE WITHOUT NOTICE AT ANY TIME.  
 3. DIMENSIONS ARE IN INCHES [mm].

DWG TITLE  
**PE9718**

**PASTERNAK ENTERPRISES, INC.**  
 P O BOX 16759, IRVINE, CA 92623  
 PHONE (949) 261-1920 FAX (949) 261-7451  
 WEB ADDRESS: [www.pasternack.com](http://www.pasternack.com)  
 E-MAIL ADDRESS: [sales@pasternack.com](mailto:sales@pasternack.com)  
**COAXIAL & FIBER OPTICS**



REV. -	FSCM NO. 53919	CAD FILE 060303	SCALE N/A	SIZE A	127
--------	----------------	-----------------	-----------	--------	-----