



## TNC Female to FME Jack Adapter

### RF Adapters Technical Data Sheet

PE9714

#### Configuration

- TNC Female Connector 1
- FME Jack Connector 2
- 50 Ohms
- Straight Body Geometry

#### Features

- TNC Interface compliant with MIL-STD-348A
- FME Interface compliant with MIL-STD-348A
- Gold Plated Brass Contact
- 30  $\mu$ -in min Gold Contact Plating

#### Applications

- Allows Connection Between Series
- General Purpose Test

#### Description

Pasternack's PE9714 TNC female to FME jack adapter is part of our full line of RF components available for same-day shipping. Our TNC to FME adapter has a female to jack gender configuration.

RF adapters are often used to enable connections between two connector types that would otherwise not mate. Certain adapter configurations can also be used to protect connectors on expensive equipment where the number of connect/disconnect cycles is high. An RF, microwave or millimeter wave adapter is connected to the equipment, and the commonly changed connection is made with the adapter which can be easily replaced when it wears out after high usage; such adapters are referred to as connector savers. Pasternack also offers bulkhead, panel mount, hermetically sealed, reverse polarity, and isolated ground adapter varieties to serve all of your RF, microwave and millimeter wave needs.

#### Mechanical Specifications

##### Size

Length	1.15 in [29.21 mm]
Width	0.47 in [11.94 mm]
Weight	0.023 lbs [10.43 g]

Description	Connector 1	Connector 2
Type	TNC Female	FME Jack
Polarity	Standard	Standard
Interface Specification	MIL-STD-348A	MIL-STD-348A

#### Material Specifications

Description	Connector 1		Connector 2	
	Material	Plating	Material	Plating
Type	TNC Female		FME Jack	
Contact	Brass	Gold 30 $\mu$ -in minimum	Brass	Gold 30 $\mu$ -in minimum
Insulation	PTFE		PTFE	

Click the following link (or enter part number in "SEARCH" on website) to obtain additional part information including price, inventory and certifications: [TNC Female to FME Jack Adapter PE9714](#)



## TNC Female to FME Jack Adapter

### RF Adapters Technical Data Sheet

PE9714

Outer Conductor	Brass	Nickel 100 μ-in minimum	Brass	Nickel 100 μ-in minimum
-----------------	-------	----------------------------	-------	----------------------------

#### Compliance Certifications (see [product page](#) for current document)

TNC Female to FME Jack Adapter from Pasternack Enterprises has same day shipment for domestic and International orders. Our RF, microwave and millimeter wave products maintain a 99% availability and are part of the broadest selection in the industry.

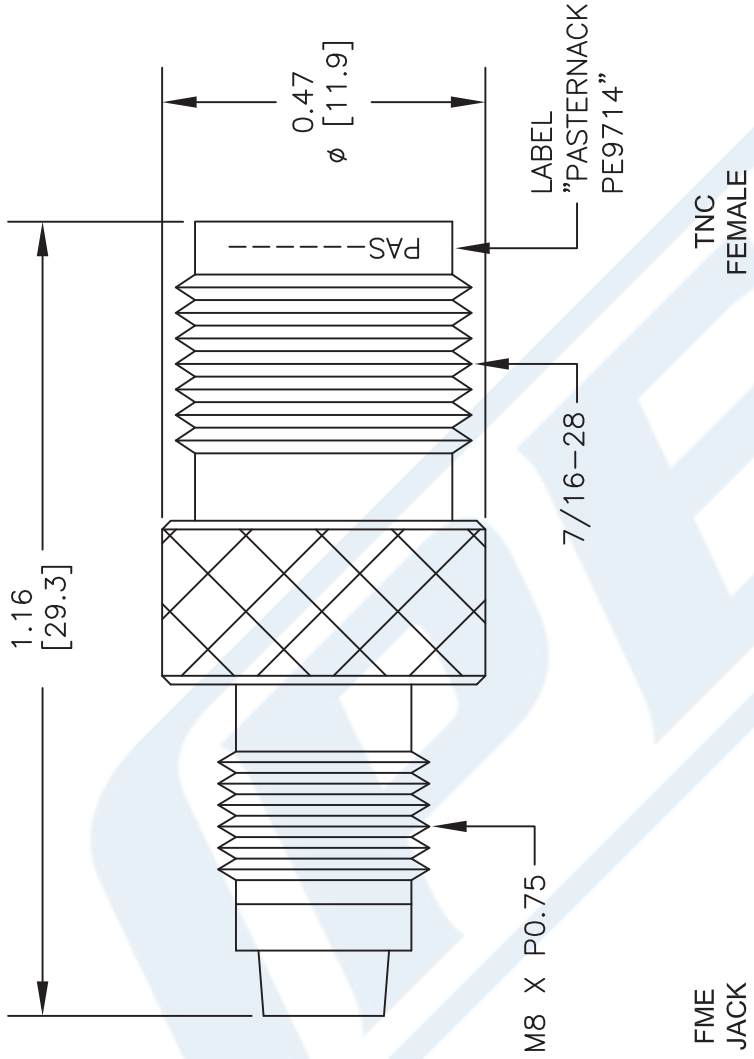
Click the following link (or enter part number in "SEARCH" on website) to obtain additional part information including price, inventory and certifications: [TNC Female to FME Jack Adapter PE9714](#)

URL: <https://www.pasternack.com/tnc-female-fme-jack-straight-adapter-pe9714-p.aspx>

The information contained in this document is accurate to the best of our knowledge and representative of the part described herein. It may be necessary to make modifications to the part and/or the documentation of the part, in order to implement improvements. Pasternack reserves the right to make such changes as required. Unless otherwise stated, all specifications are nominal. Pasternack does not make any representation or warranty regarding the suitability of the part described herein for any particular purpose, and Pasternack does not assume any liability arising out of the use of any part or documentation.

# PE9714 CAD Drawing

## TNC Female to FME Jack Adapter



### STANDARD TOLERANCES

.X  $\pm 0.2$   
 .XX  $\pm 0.1$   
 .XXX  $\pm 0.05$

\*STANDARD TOLERANCES APPLY ONLY TO DIMENSIONS IN INCHES



Pasternack Enterprises, Inc.  
 P.O. Box 16759 | Irvine | CA | 92623

Phone: (949) 261-1920 | Fax: (949) 261-7451

Website: [www.pasternack.com](http://www.pasternack.com) | E-Mail: [sales@pasternack.com](mailto:sales@pasternack.com)

DWG TITLE

**PE9714**

NOTES:  
 1. UNLESS OTHERWISE SPECIFIED ALL DIMENSIONS ARE NOMINAL.  
 2. ALL SPECIFICATIONS ARE SUBJECT TO CHANGE WITHOUT NOTICE AT ANY TIME.  
 3. DIMENSIONS ARE IN INCHES [mm].

FSCM NO. 53919

CAD FILE 062016

SCALE N/A

SIZE A

2233