



## 75 Ohm F Female to 75 Ohm PAL Plug Adapter

### RF Adapters Technical Data Sheet

PE9635

#### Configuration

- F Female Connector 1
- PAL Plug Connector 2
- 75 Ohm
- Straight Body Geometry

#### Features

- 3 µin minimum contact plating

#### Applications

- Allows Connection Between Series
- General Purpose Test
- CATV

#### Description

Pasternack's PE9635 75 ohm type F female to PAL plug adapter is part of our full line of RF components available for same-day shipping. Our type F to PAL adapter has a female to plug gender configuration.

RF adapters are often used to enable connections between two connector types that would otherwise not mate. Certain adapter configurations can also be used to protect connectors on expensive equipment where the number of connect/disconnect cycles is high. An RF, microwave or millimeter wave adapter is connected to the equipment, and the commonly changed connection is made with the adapter which can be easily replaced when it wears out after high usage; such adapters are referred to as connector savers. Pasternack also offers bulkhead, panel mount, hermetically sealed, reverse polarity, and isolated ground adapter varieties to serve all of your RF, microwave and millimeter wave needs.

#### Mechanical Specifications

##### Size

Length	1.154 in [29.31 mm]
Width	0.433 in [11 mm]
Weight	0.025 lbs [11.34 g]

Description	Connector 1	Connector 2
Type	F Female	PAL Plug
Polarity	Standard	Standard

Click the following link (or enter part number in "SEARCH" on website) to obtain additional part information including price, inventory and certifications: [75 Ohm F Female to 75 Ohm PAL Plug Adapter PE9635](#)



## 75 Ohm F Female to 75 Ohm PAL Plug Adapter

### RF Adapters Technical Data Sheet

PE9635

#### Material Specifications

Description	Connector 1		Connector 2	
	Material	Plating	Material	Plating
Type	F Female		PAL Plug	
Contact	Beryllium Copper	Gold 3 µin minimum	Brass	Gold 3 µin minimum
Insulation	PTFE		PTFE	
Outer Conductor	Brass	Nickel 100 µin minimum	Brass	Nickel 100 µin minimum
Body			Brass	Nickel 100 µin minimum

#### Compliance Certifications (see [product page](#) for current document)

75 Ohm F Female to 75 Ohm PAL Plug Adapter from Pasternack Enterprises has same day shipment for domestic and International orders. Our RF, microwave and millimeter wave products maintain a 99.4% availability and are part of the broadest selection in the industry.

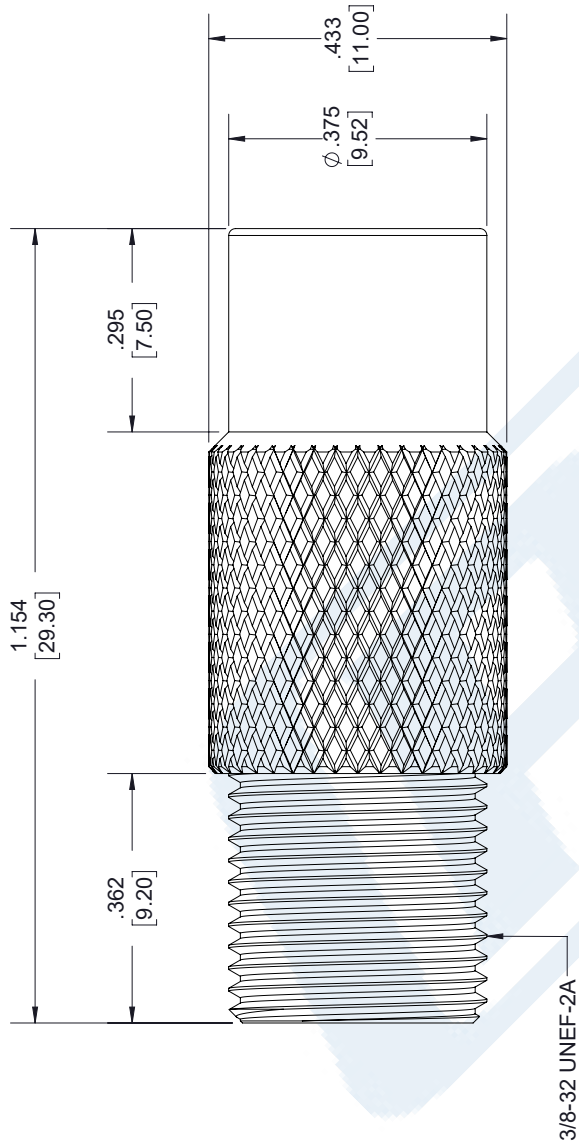
Click the following link (or enter part number in "SEARCH" on website) to obtain additional part information including price, inventory and certifications: [75 Ohm F Female to 75 Ohm PAL Plug Adapter PE9635](#)

URL: <https://www.pasternack.com/f-female-pal-plug-straight-adapter-pe9635-p.aspx>

The information contained in this document is accurate to the best of our knowledge and representative of the part described herein. It may be necessary to make modifications to the part and/or the documentation of the part, in order to implement improvements. Pasternack reserves the right to make such changes as required. Unless otherwise stated, all specifications are nominal. Pasternack does not make any representation or warranty regarding the suitability of the part described herein for any particular purpose, and Pasternack does not assume any liability arising out of the use of any part or documentation.

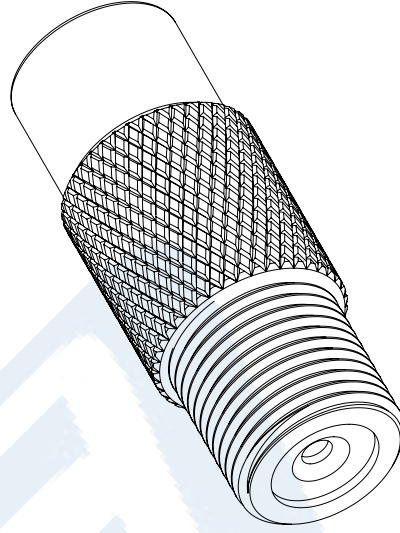
# PE9635 CAD Drawing

## 75 Ohm F Female to 75 Ohm PAL Plug Adapter



**F FEMALE**

**PAL PLUG**



**STANDARD TOLERANCES**

.X ±0.2  
 .XX ±0.01  
 .XXX ±0.005

\*STANDARD TOLERANCES APPLY ONLY TO DIMENSIONS IN INCHES



Pasternack Enterprises, Inc.  
 P.O. Box 16759 | Irvine | CA | 92623  
**Phone:** (949) 261-1920 | **Fax:** (949) 261-7451  
**Website:** [www.pasternack.com](http://www.pasternack.com) | **E-Mail:** [sales@pasternack.com](mailto:sales@pasternack.com)

DWG TITLE

PE9635

NOTES:  
 1. UNLESS OTHERWISE SPECIFIED ALL DIMENSIONS ARE NOMINAL.  
 2. ALL SPECIFICATIONS ARE SUBJECT TO CHANGE WITHOUT NOTICE AT ANY TIME.  
 3. DIMENSIONS ARE IN INCHES [mm].

CAGE CODE 53919

CAD FILE 08/07/18

SCALE N/A

SIZE A

7361