



75 Ohm F Male to PAL Jack Adapter

RF Adapters Technical Data Sheet

PE9632

Configuration

- F Male Connector 1
- PAL Jack Connector 2
- 75 Ohms
- Straight Body Geometry

Features

- Gold Plated Brass Contact
- 3 μ -in min Gold Contact Plating

Applications

- Allows Connection Between Series
- General Purpose Test

Description

Pasternack's PE9632 75 ohm type F male to PAL jack adapter is part of our full line of RF components available for same-day shipping. Our type F to PAL adapter has a male to jack gender configuration.

RF adapters are often used to enable connections between two connector types that would otherwise not mate. Certain adapter configurations can also be used to protect connectors on expensive equipment where the number of connect/disconnect cycles is high. An RF, microwave or millimeter wave adapter is connected to the equipment, and the commonly changed connection is made with the adapter which can be easily replaced when it wears out after high usage; such adapters are referred to as connector savers. Pasternack also offers bulkhead, panel mount, hermetically sealed, reverse polarity, and isolated ground adapter varieties to serve all of your RF, microwave and millimeter wave needs.

Mechanical Specifications

Size

Length	1.22 in [30.99 mm]
Width	0.472 in [11.99 mm]
Weight	0.034 lbs [15.42 g]

Description	Connector 1	Connector 2
Type	F Male	PAL Jack
Polarity	Standard	Standard
Hex Size	7/16 in.	
Mating Torque	15 in-lbs [1.70 Nm] max	

Material Specifications

Description	Connector 1		Connector 2	
	Material	Plating	Material	Plating
Type	F Male		PAL Jack	
Contact	Brass	Gold 3 μ -in minimum	Brass	Gold 3 μ -in minimum
Insulation	PTFE		PTFE	

Click the following link (or enter part number in "SEARCH" on website) to obtain additional part information including price, inventory and certifications: [75 Ohm F Male to PAL Jack Adapter PE9632](#)



75 Ohm F Male to PAL Jack Adapter

RF Adapters Technical Data Sheet

PE9632

Outer Conductor	Brass	Nickel 100 μ-in minimum
Body	Brass	Nickel 100 μ-in minimum
Coupling Nut	Brass	Nickel 100 μ-in minimum

Compliance Certifications (see [product page](#) for current document)

75 Ohm F Male to PAL Jack Adapter from Pasternack Enterprises has same day shipment for domestic and International orders. Our RF, microwave and millimeter wave products maintain a 99% availability and are part of the broadest selection in the industry.

Click the following link (or enter part number in "SEARCH" on website) to obtain additional part information including price, inventory and certifications: [75 Ohm F Male to PAL Jack Adapter PE9632](#)

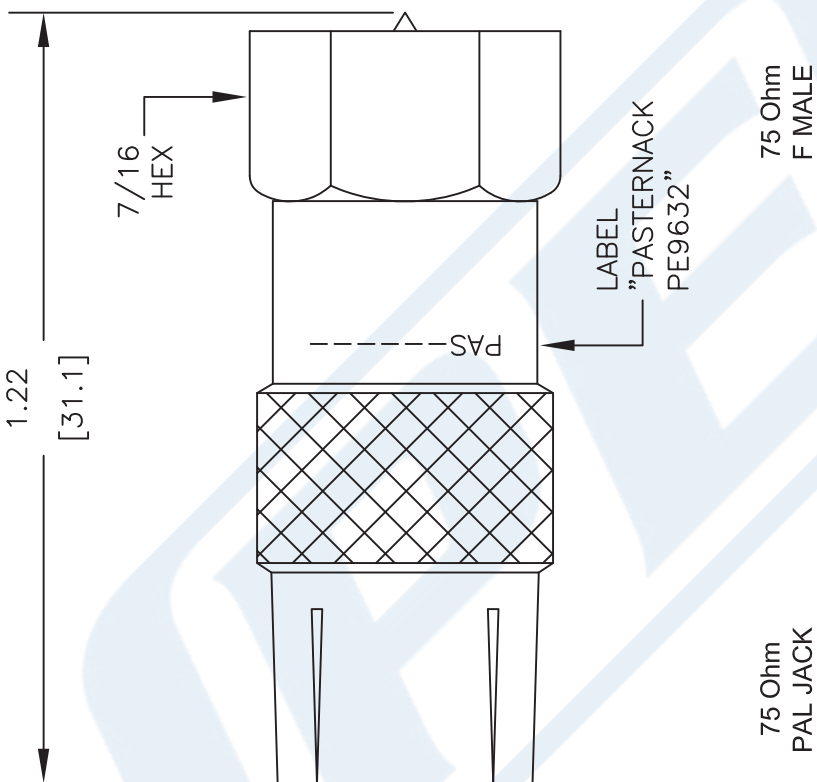
URL: <https://www.pasternack.com/f-male-pal-jack-straight-adapter-pe9632-p.aspx>

The information contained in this document is accurate to the best of our knowledge and representative of the part described herein. It may be necessary to make modifications to the part and/or the documentation of the part, in order to implement improvements. Pasternack reserves the right to make such changes as required. Unless otherwise stated, all specifications are nominal. Pasternack does not make any representation or warranty regarding the suitability of the part described herein for any particular purpose, and Pasternack does not assume any liability arising out of the use of any part or documentation.



PE9632 CAD Drawing

75 Ohm F Male to PAL Jack Adapter



STANDARD TOLERANCES

.X ±0.2
.XX ±0.1
.XXX ±0.05

*STANDARD TOLERANCES APPLY ONLY TO DIMENSIONS IN INCHES



Pasternack Enterprises, Inc.
P.O. Box 16759 | Irvine | CA | 92623
Phone: (949) 261-1920 | Fax: (949) 261-7451
Website: www.pasternack.com | E-Mail: sales@pasternack.com

DWG TITLE

PE9632

FSCM NO. 53919

NOTES:
1. UNLESS OTHERWISE SPECIFIED ALL DIMENSIONS ARE NOMINAL.
2. ALL SPECIFICATIONS ARE SUBJECT TO CHANGE WITHOUT NOTICE AT ANY TIME.
3. DIMENSIONS ARE IN INCHES [mm].

CAD FILE 062016

SCALE N/A

SIZE A

2233