



## 75 Ohm N Female to TNC Female Adapter

### RF Adapters Technical Data Sheet

PE9629

#### Configuration

- N Female Connector 1
- TNC Female Connector 2
- 75 Ohms
- Straight Body Geometry

#### Features

- Typical VSWR of 1.4:1 up to 1,000 MHz
- Gold Plated Brass Contact
- 50  $\mu$ -in min Gold Contact Plating

#### Applications

- Allows Connection Between Series
- General Purpose Test

#### Description

Pasternack's PE9629 75 ohm type N female to TNC female adapter is part of our full line of RF components available for same-day shipping. Our type N to TNC adapter has a female to female gender configuration. PE9629 type N female to TNC female adapter operates to 1,000 MHz.

RF adapters are often used to enable connections between two connector types that would otherwise not mate. Certain adapter configurations can also be used to protect connectors on expensive equipment where the number of connect/disconnect cycles is high. An RF, microwave or millimeter wave adapter is connected to the equipment, and the commonly changed connection is made with the adapter which can be easily replaced when it wears out after high usage; such adapters are referred to as connector savers. Pasternack also offers bulkhead, panel mount, hermetically sealed, reverse polarity, and isolated ground adapter varieties to serve all of your RF, microwave and millimeter wave needs.

#### Electrical Specifications

Description	Minimum	Typical	Maximum	Units
Frequency Range	DC		1,000	MHz
VSWR		1.4:1		

Electrical Specification Notes:  
Values at 25°C, sea level.

#### Mechanical Specifications

Size	
Length	1.5 in [38.1 mm]
Width	0.668 in [16.97 mm]
Weight	0.068 lbs [30.84 g]

Description	Connector 1	Connector 2
Type	N Female	TNC Female
Polarity	Standard	Standard

Click the following link (or enter part number in "SEARCH" on website) to obtain additional part information including price, inventory and certifications: [75 Ohm N Female to TNC Female Adapter PE9629](#)



## 75 Ohm N Female to TNC Female Adapter

### RF Adapters Technical Data Sheet

PE9629

#### Material Specifications

Description	Connector 1		Connector 2	
	Material	Plating	Material	Plating
Type	N Female		TNC Female	
Contact	Brass	Gold 50 μ-in minimum	Brass	Gold 50 μ-in minimum
Insulation	PTFE		PTFE	
Outer Conductor	Brass	Nickel 100 μ-in minimum	Brass	Nickel 100 μ-in minimum

#### Environmental Specifications

##### Temperature

Operating Range

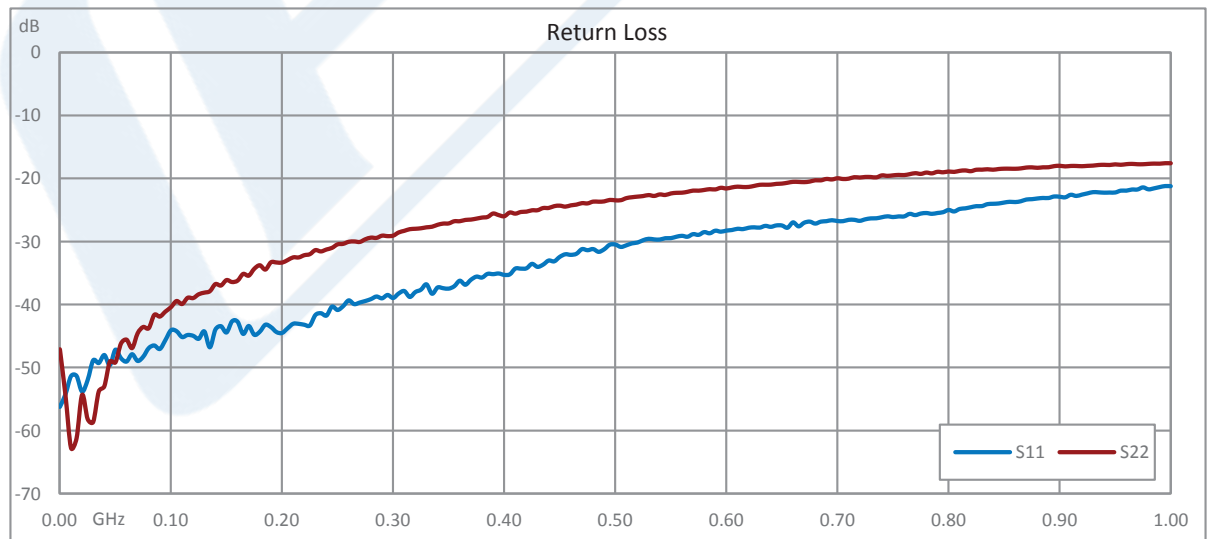
-65 to +165 deg C

**Compliance Certifications** (see [product page](#) for current document)

#### Plotted and Other Data

Notes:

#### Typical Performance Data



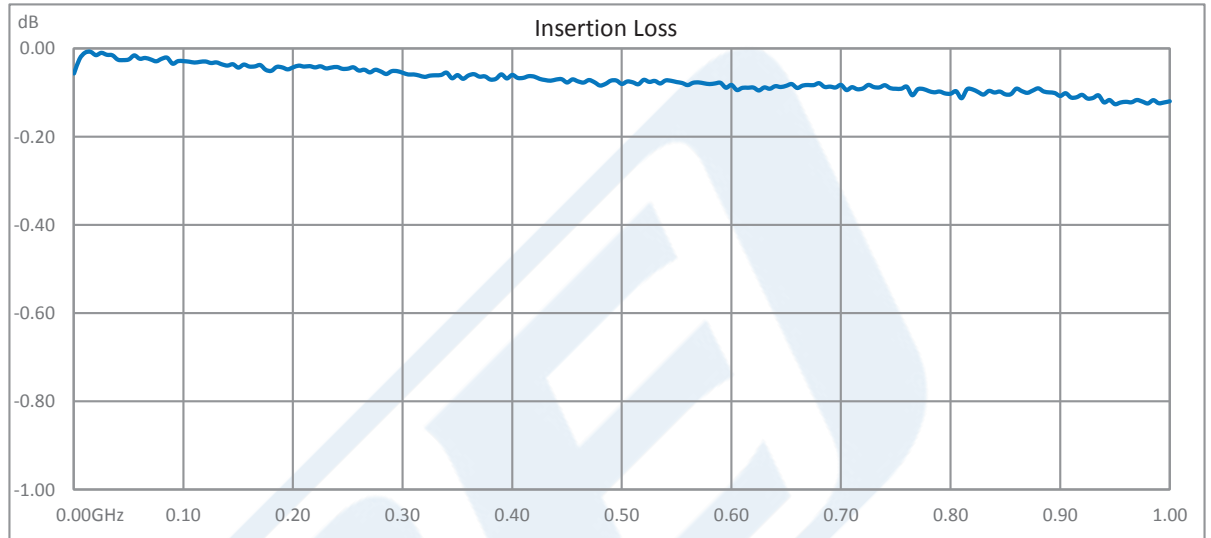
Click the following link (or enter part number in "SEARCH" on website) to obtain additional part information including price, inventory and certifications: [75 Ohm N Female to TNC Female Adapter PE9629](#)



## 75 Ohm N Female to TNC Female Adapter

### RF Adapters Technical Data Sheet

PE9629



75 Ohm N Female to TNC Female Adapter from Pasternack Enterprises has same day shipment for domestic and International orders. Our RF, microwave and millimeter wave products maintain a 99% availability and are part of the broadest selection in the industry.

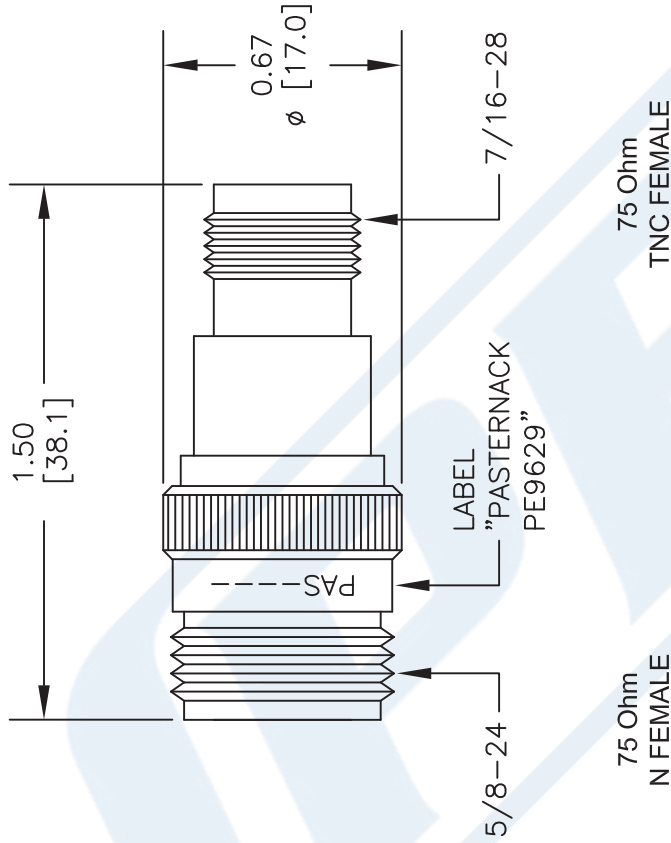
Click the following link (or enter part number in "SEARCH" on website) to obtain additional part information including price, inventory and certifications: [75 Ohm N Female to TNC Female Adapter PE9629](#)

URL: <https://www.pasternack.com/n-female-tnc-female-straight-adapter-pe9629-p.aspx>

The information contained in this document is accurate to the best of our knowledge and representative of the part described herein. It may be necessary to make modifications to the part and/or the documentation of the part, in order to implement improvements. Pasternack reserves the right to make such changes as required. Unless otherwise stated, all specifications are nominal. Pasternack does not make any representation or warranty regarding the suitability of the part described herein for any particular purpose, and Pasternack does not assume any liability arising out of the use of any part or documentation.

# PE9629 CAD Drawing

## 75 Ohm N Female to TNC Female Adapter



### STANDARD TOLERANCES

.X ±0.2  
 .XX ±0.1  
 .XXX ±0.05

\*STANDARD TOLERANCES APPLY ONLY TO DIMENSIONS IN INCHES



Pasternack Enterprises, Inc.  
 P.O. Box 16759 | Irvine | CA | 92623

Phone: (949) 261-1920 | Fax: (949) 261-7451

Website: [www.pasternack.com](http://www.pasternack.com) | E-Mail: [sales@pasternack.com](mailto:sales@pasternack.com)

DWG TITLE

**PE9629**

FSCM NO. 53919

CAD FILE 061716

SCALE N/A

SIZE A

2233

NOTES:  
 1. UNLESS OTHERWISE SPECIFIED ALL DIMENSIONS ARE NOMINAL.  
 2. ALL SPECIFICATIONS ARE SUBJECT TO CHANGE WITHOUT NOTICE AT ANY TIME.  
 3. DIMENSIONS ARE IN INCHES [mm].