



SMA Male to SMA Female Bulkhead Adapter

RF Adapters Technical Data Sheet

PE9621

Configuration

- SMA Male Connector 1
- SMA Female Connector 2
- 50 Ohms
- Straight Body Geometry
- Bulkhead Mount Method

Features

- Max VSWR of 1.3:1 up to 18 GHz
- SMA Interface compliant with MIL-STD-348A
- Gold Plated Beryllium Copper Contact
- 50 µ-in min Gold Contact Plating

Applications

- General Purpose Test
- Rack Mounted Equipment

Description

Pasternack's PE9621 SMA male to SMA female bulkhead adapter is part of our full line of RF components available for same-day shipping. The SMA connector mates mechanically with commercially available 3.5mm and 2.92mm (K) connectors. Our SMA to SMA adapter has a male to female gender configuration. PE9621 SMA male to SMA female adapter operates to 18 GHz. The Pasternack RF adapter provides good VSWR of 1.3:1 maximum. This RF SMA to SMA bulkhead adapter allows designers to create external connections on their product enclosures, and can be used in a variety of other rack mount and panel mount applications.

RF adapters are often used to enable connections between two connector types that would otherwise not mate. Certain adapter configurations can also be used to protect connectors on expensive equipment where the number of connect/disconnect cycles is high. An RF, microwave or millimeter wave adapter is connected to the equipment, and the commonly changed connection is made with the adapter which can be easily replaced when it wears out after high usage; such adapters are referred to as connector savers. Pasternack also offers bulkhead, panel mount, hermetically sealed, reverse polarity, and isolated ground adapter varieties to serve all of your RF, microwave and millimeter wave needs.

Electrical Specifications

Description	Minimum	Typical	Maximum	Units
Frequency Range	DC		18	GHz
VSWR			1.3:1	
Operating Voltage (AC)			500	Vrms

Mechanical Specifications

Size	
Length	0.92 in [23.37 mm]
Width	0.315 in [8 mm]
Weight	0.017 lbs [7.71 g]

Click the following link (or enter part number in "SEARCH" on website) to obtain additional part information including price, inventory and certifications: [SMA Male to SMA Female Bulkhead Adapter PE9621](#)



SMA Male to SMA Female Bulkhead Adapter

RF Adapters Technical Data Sheet

PE9621

Description	Connector 1	Connector 2
Type	SMA Male	SMA Female
Polarity	Standard	Standard
Interface Specification	MIL-STD-348A	MIL-STD-348A
Hex Size	5/16 in.	
Mating Torque	3 to 5 in-lbs [0.34 to 0.57 Nm]	

Material Specifications

Description	Connector 1		Connector 2	
	Material	Plating	Material	Plating
Type	SMA Male		SMA Female	
Contact	Beryllium Copper	Gold 50 μ-in minimum	Beryllium Copper	Gold 50 μ-in minimum
Insulation	PTFE		PTFE	
Outer Conductor			Brass	Nickel 100 μ-in minimum
Body	Brass	Nickel 100 μ-in minimum		
Gasket	Silicone			
Coupling Nut	Brass	Nickel 100 μ-in minimum		

Environmental Specifications

Temperature

Operating Range -65 to +165 deg C

Compliance Certifications (see [product page](#) for current document)

Plotted and Other Data

Notes:

Click the following link (or enter part number in "SEARCH" on website) to obtain additional part information including price, inventory and certifications: [SMA Male to SMA Female Bulkhead Adapter PE9621](#)



SMA Male to SMA Female Bulkhead Adapter

RF Adapters Technical Data Sheet

PE9621

SMA Male to SMA Female Bulkhead Adapter from Pasternack Enterprises has same day shipment for domestic and International orders. Our RF, microwave and millimeter wave products maintain a 99% availability and are part of the broadest selection in the industry.

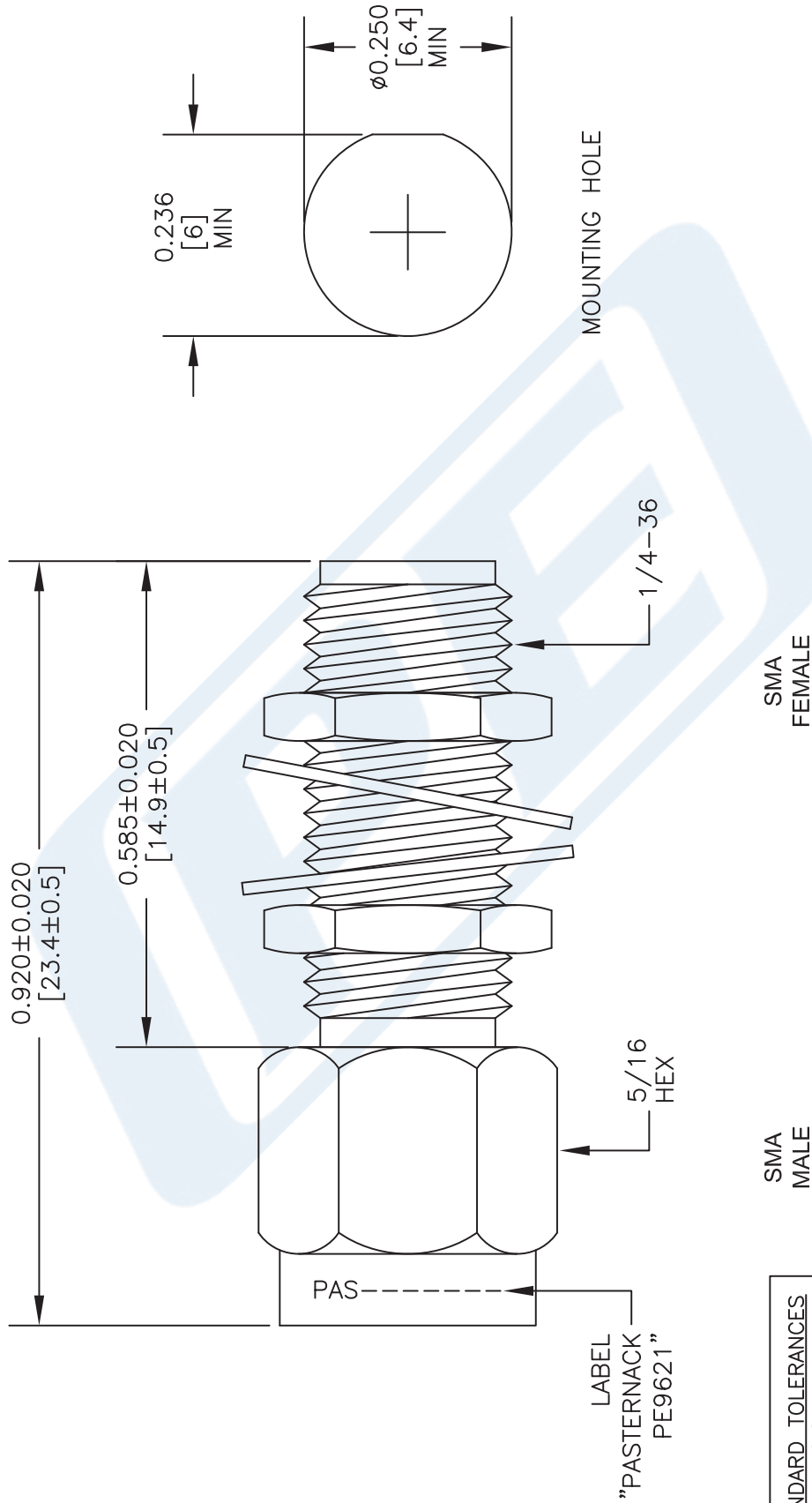
Click the following link (or enter part number in "SEARCH" on website) to obtain additional part information including price, inventory and certifications: [SMA Male to SMA Female Bulkhead Adapter PE9621](https://www.pasternack.com/sma-male-sma-female-straight-adapter-pe9621-p.aspx)

URL: <https://www.pasternack.com/sma-male-sma-female-straight-adapter-pe9621-p.aspx>

The information contained in this document is accurate to the best of our knowledge and representative of the part described herein. It may be necessary to make modifications to the part and/or the documentation of the part, in order to implement improvements. Pasternack reserves the right to make such changes as required. Unless otherwise stated, all specifications are nominal. Pasternack does not make any representation or warranty regarding the suitability of the part described herein for any particular purpose, and Pasternack does not assume any liability arising out of the use of any part or documentation.

PE9621 CAD Drawing

SMA Male to SMA Female Bulkhead Adapter



STANDARD TOLERANCES	
.X	±0.2
.XX	±0.1
.XXX	±0.05

*STANDARD TOLERANCES APPLY ONLY TO DIMENSIONS IN INCHES

<p>DWG TITLE</p> <h2 style="margin: 0;">PE9621</h2>	<p>NOTES:</p> <ol style="list-style-type: none"> 1. UNLESS OTHERWISE SPECIFIED ALL DIMENSIONS ARE NOMINAL. 2. ALL SPECIFICATIONS ARE SUBJECT TO CHANGE WITHOUT NOTICE AT ANY TIME. 3. DIMENSIONS ARE IN INCHES (mm). 	<p>CAD FILE 021916</p>	<p>SCALE N/A</p>	<p>SIZE A</p>	<p>3045</p>
<p>FSCM NO. 53919</p>					
<p>PASTERNAK® THE ENGINEER'S RF SOURCE</p> <p>Pasternack Enterprises, Inc. P.O. Box 16759 Irvine CA 92623</p> <p>Phone: (949) 261-1920 Fax: (949) 261-7451 Website: www.pasternack.com E-Mail: sales@pasternack.com</p>					