



## Reverse Polarity SMA Male to Reverse Polarity TNC Female Adapter

### RF Adapters Technical Data Sheet

PE9604

#### Configuration

- SMA Male Reverse Polarity Connector 1
- TNC Female Reverse Polarity Connector 2
- 50 Ohms
- Straight Body Geometry

#### Features

- Max VSWR of 1.25:1 up to 11 GHz
- SMA Interface compliant with MIL-STD-348
- TNC Interface compliant with MIL-STD-348
- Gold Plated Contact
- Contact Plating per MIL-G-45204

#### Applications

- Allows Connection Between Series
- General Purpose Test

#### Description

Pasternack's PE9604 reverse polarity SMA male to reverse polarity TNC female adapter is part of our full line of RF components available for same-day shipping. The SMA connector mates mechanically with commercially available 3.5mm and 2.92mm (K) connectors. Our reverse polarity SMA to reverse polarity TNC adapter has a male to female gender configuration. PE9604 reverse polarity SMA male to reverse polarity TNC female adapter operates to 11 GHz. The Pasternack RF adapter provides excellent VSWR of 1.25:1 maximum.

RF adapters are often used to enable connections between two connector types that would otherwise not mate. Certain adapter configurations can also be used to protect connectors on expensive equipment where the number of connect/disconnect cycles is high. An RF, microwave or millimeter wave adapter is connected to the equipment, and the commonly changed connection is made with the adapter which can be easily replaced when it wears out after high usage; such adapters are referred to as connector savers. Pasternack also offers bulkhead, panel mount, hermetically sealed, reverse polarity, and isolated ground adapter varieties to serve all of your RF, microwave and millimeter wave needs.

#### Electrical Specifications

Description	Minimum	Typical	Maximum	Units
Frequency Range	DC		11	GHz
VSWR			1.25:1	

Electrical Specification Notes:  
 Values at 25°C, sea level

#### Mechanical Specifications

Size	
Length	1.15 in [29.21 mm]
Width	0.5 in [12.7 mm]
Weight	0.027 lbs [12.25 g]

Click the following link (or enter part number in "SEARCH" on website) to obtain additional part information including price, inventory and certifications: [Reverse Polarity SMA Male to Reverse Polarity TNC Female Adapter PE9604](#)



Reverse Polarity SMA Male to Reverse Polarity  
TNC Female Adapter

RF Adapters Technical Data Sheet

PE9604

Description	Connector 1	Connector 2
Type	SMA Male	TNC Female
Polarity	Reverse Polarity	Reverse Polarity
Interface Specification	MIL-STD-348	MIL-STD-348
Hex Size	5/16 in.	
Mating Torque	3 to 5 in-lbs [0.34 to 0.57 Nm]	

**Material Specifications**

Description	Connector 1		Connector 2	
	Material	Plating	Material	Plating
Type	SMA Male Reverse Polarity		TNC Female Reverse Polarity	
Contact		Gold MIL-G-45204		Gold MIL-G-45204
Insulation	PTFE		PTFE	
Outer Conductor			Brass	Nickel QQ-N-290
Body	Brass	Nickel QQ-N-290		
Coupling Nut	Brass	Nickel QQ-N-290		

**Environmental Specifications**

**Temperature**

Operating Range -65 to +165 deg C

**Compliance Certifications** (see [product page](#) for current document)

**Plotted and Other Data**

Notes:

Click the following link (or enter part number in "SEARCH" on website) to obtain additional part information including price, inventory and certifications: [Reverse Polarity SMA Male to Reverse Polarity TNC Female Adapter PE9604](#)





## Reverse Polarity SMA Male to Reverse Polarity TNC Female Adapter

### RF Adapters Technical Data Sheet

PE9604

Reverse Polarity SMA Male to Reverse Polarity TNC Female Adapter from Pasternack Enterprises has same day shipment for domestic and International orders. Our RF, microwave and millimeter wave products maintain a 99% availability and are part of the broadest selection in the industry.

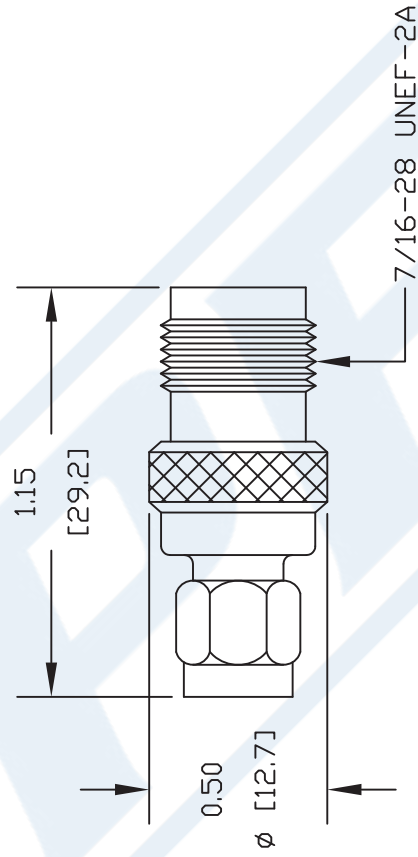
Click the following link (or enter part number in "SEARCH" on website) to obtain additional part information including price, inventory and certifications: [Reverse Polarity SMA Male to Reverse Polarity TNC Female Adapter PE9604](https://www.pasternack.com/sma-male-tnc-female-straight-adapter-pe9604-p.aspx)

URL: <https://www.pasternack.com/sma-male-tnc-female-straight-adapter-pe9604-p.aspx>

The information contained in this document is accurate to the best of our knowledge and representative of the part described herein. It may be necessary to make modifications to the part and/or the documentation of the part, in order to implement improvements. Pasternack reserves the right to make such changes as required. Unless otherwise stated, all specifications are nominal. Pasternack does not make any representation or warranty regarding the suitability of the part described herein for any particular purpose, and Pasternack does not assume any liability arising out of the use of any part or documentation.

# PE9604 CAD Drawing

Reverse Polarity SMA Male to Reverse Polarity TNC Female Adapter



DWG TITLE

**PE9604**

REV. -

FSCM NO. 53919

CAD FILE 100302

SCALE N/A

SIZE A

127

NOTES:  
1. UNLESS OTHERWISE SPECIFIED ALL DIMENSIONS ARE NOMINAL.  
2. ALL SPECIFICATIONS ARE SUBJECT TO CHANGE WITHOUT NOTICE AT ANY TIME.  
3. DIMENSIONS ARE IN INCHES [mm].

**PASTERNAK ENTERPRISES, INC.**

P O BOX 16759, IRVINE, CA 92623

PHONE (949) 261-1920 FAX (949) 261-7451

WEB ADDRESS: [www.pasternack.com](http://www.pasternack.com)

E-MAIL ADDRESS: [sales@pasternack.com](mailto:sales@pasternack.com)

**COAXIAL & FIBER OPTICS**

