



# SMA Female to RP-TNC Female Adapter

## RF Adapters Technical Data Sheet

PE9603

### Configuration

- SMA Female Connector 1
- TNC Female Reverse Polarity Connector 2
- 50 Ohm
- Straight Body Geometry

### Features

- Max VSWR of 1.25:1 up to 11 GHz
- SMA interface compliant with MIL-STD-348
- TNC interface compliant with MIL-STD-348
- Contact plating according to MIL-G-45204
- Max VSWR of 1.25:1 up to 11 GHz
- SMA Interface compliant with MIL-STD-348
- TNC Interface compliant with MIL-STD-348
- Gold Plated Contact
- Contact Plating per MIL-G-45204

### Applications

- Allows Connection Between Series
- General Purpose Test
- Allows Connection Between Series
- General Purpose Test

### Description

Pasternack's PE9603 SMA female to RP TNC female adapter is part of our full line of RF components available for same-day shipping. The SMA connector mates mechanically with commercially available 3.5mm and 2.92mm (K) connectors. Our SMA to reverse polarity TNC adapter has a female to female gender configuration. PE9603 SMA female to reverse polarity TNC female adapter operates to 11 GHz. The Pasternack RF adapter provides excellent VSWR of 1.25:1 maximum.

RF adapters are often used to enable connections between two connector types that would otherwise not mate. Certain adapter configurations can also be used to protect connectors on expensive equipment where the number of connect/disconnect cycles is high. An RF, microwave or millimeter wave adapter is connected to the equipment, and the commonly changed connection is made with the adapter which can be easily replaced when it wears out after high usage; such adapters are referred to as connector savers. Pasternack also offers bulkhead, panel mount, hermetically sealed, reverse polarity, and isolated ground adapter varieties to serve all of your RF, microwave and millimeter wave needs.

### Electrical Specifications

| Description     | Minimum | Typical | Maximum | Units |
|-----------------|---------|---------|---------|-------|
| Frequency Range | DC      |         | 11      | GHz   |
| VSWR            |         |         | 1.25:1  |       |

Electrical Specification Notes:  
 Values at 25°C, sea level

### Mechanical Specifications

| Size   |                     |
|--------|---------------------|
| Length | 1.12 in [28.45 mm]  |
| Width  | 0.5 in [12.7 mm]    |
| Weight | 0.025 lbs [11.34 g] |

Click the following link (or enter part number in "SEARCH" on website) to obtain additional part information including price, inventory and certifications: [SMA Female to RP-TNC Female Adapter PE9603](#)



SMA Female to RP-TNC Female Adapter

RF Adapters Technical Data Sheet

PE9603

| Description             | Connector 1 | Connector 2      |
|-------------------------|-------------|------------------|
| Type                    | SMA Female  | TNC Female       |
| Polarity                | Standard    | Reverse Polarity |
| Interface Specification | MIL-STD-348 | MIL-STD-348      |

**Material Specifications**

| Description     | Connector 1 |                     | Connector 2                 |                     |
|-----------------|-------------|---------------------|-----------------------------|---------------------|
|                 | Material    | Plating             | Material                    | Plating             |
| Type            | SMA Female  |                     | TNC Female Reverse Polarity |                     |
| Contact         |             | Gold<br>MIL-G-45204 |                             | Gold<br>MIL-G-45204 |
| Insulation      | PTFE        |                     | PTFE                        |                     |
| Outer Conductor | Brass       | Nickel<br>QQ-N-290  | Brass                       | Nickel<br>QQ-N-290  |

**Environmental Specifications**

**Temperature**

Operating Range -65 to +165 deg C

**Compliance Certifications** (see [product page](#) for current document)

**Plotted and Other Data**

Notes:

Click the following link (or enter part number in "SEARCH" on website) to obtain additional part information including price, inventory and certifications: [SMA Female to RP-TNC Female Adapter PE9603](#)





## SMA Female to RP-TNC Female Adapter

### RF Adapters Technical Data Sheet

PE9603

SMA Female to RP-TNC Female Adapter from Pasternack Enterprises has same day shipment for domestic and International orders. Our RF, microwave and millimeter wave products maintain a 99.4% availability and are part of the broadest selection in the industry.

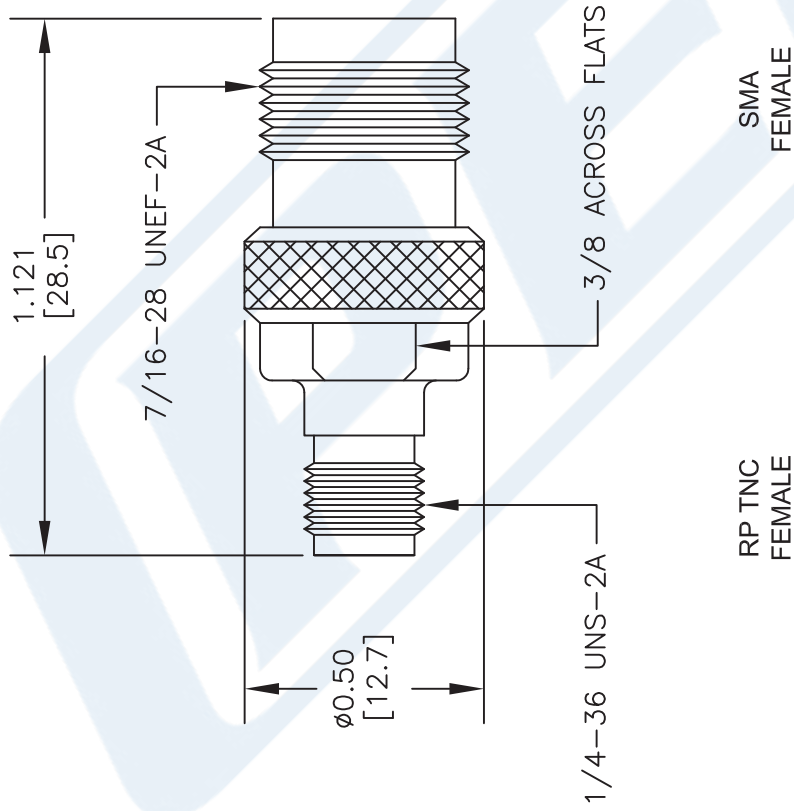
Click the following link (or enter part number in "SEARCH" on website) to obtain additional part information including price, inventory and certifications: [SMA Female to RP-TNC Female Adapter PE9603](https://www.pasternack.com/sma-female-tnc-female-straight-adapter-pe9603-p.aspx)

URL: <https://www.pasternack.com/sma-female-tnc-female-straight-adapter-pe9603-p.aspx>

The information contained in this document is accurate to the best of our knowledge and representative of the part described herein. It may be necessary to make modifications to the part and/or the documentation of the part, in order to implement improvements. Pasternack reserves the right to make such changes as required. Unless otherwise stated, all specifications are nominal. Pasternack does not make any representation or warranty regarding the suitability of the part described herein for any particular purpose, and Pasternack does not assume any liability arising out of the use of any part or documentation.

# PE9603 CAD Drawing

## SMA Female to RP-TNC Female Adapter



### STANDARD TOLERANCES

.X  $\pm 0.2$   
 .XX  $\pm 0.1$   
 .XXX  $\pm 0.05$

\*STANDARD TOLERANCES APPLY ONLY TO DIMENSIONS IN INCHES



**PASTERNAK**  
 THE ENGINEER'S RF SOURCE  
 Pasternack Enterprises, Inc.  
 P.O. Box 16759 | Irvine | CA | 92623  
 Phone: (949) 261-1920 | Fax: (949) 261-7451  
 Website: www.pasternack.com | E-Mail: sales@pasternack.com

DWG TITLE

**PE9603**

FSCM NO. 53919

NOTES:  
 1. UNLESS OTHERWISE SPECIFIED ALL DIMENSIONS ARE NOMINAL.  
 2. ALL SPECIFICATIONS ARE SUBJECT TO CHANGE WITHOUT NOTICE AT ANY TIME.  
 3. DIMENSIONS ARE IN INCHES [mm].

CAD FILE 110816

SCALE N/A

SIZE A

41742