



## SMA Male to RP-TNC Male Adapter

### RF Adapters Technical Data Sheet

PE9601

#### Configuration

- SMA Male Connector 1
- TNC Male Reverse Polarity Connector 2
- 50 Ohm
- Straight Body Geometry

#### Features

- Max VSWR of 1.2:1 up to 11 GHz
- SMA interface compliant with MIL-STD-348
- TNC interface compliant with MIL-STD-348
- Contact plating according to MIL-G-45204
- Max VSWR of 1.2:1 up to 11 GHz
- SMA Interface compliant with MIL-STD-348
- TNC Interface compliant with MIL-STD-348
- Gold Plated Contact
- Contact Plating per MIL-G-45204

#### Applications

- Allows Connection Between Series
- General Purpose Test
- Allows Connection Between Series
- General Purpose Test

#### Description

Pasternack's PE9601 SMA male to RP TNC male adapter is part of our full line of RF components available for same-day shipping. The SMA connector mates mechanically with commercially available 3.5mm and 2.92mm (K) connectors. Our SMA to reverse polarity TNC adapter has a male to male gender configuration. PE9601 SMA male to reverse polarity TNC male adapter operates to 11 GHz. The Pasternack RF adapter provides excellent VSWR of 1.2:1 maximum.

RF adapters are often used to enable connections between two connector types that would otherwise not mate. Certain adapter configurations can also be used to protect connectors on expensive equipment where the number of connect/disconnect cycles is high. An RF, microwave or millimeter wave adapter is connected to the equipment, and the commonly changed connection is made with the adapter which can be easily replaced when it wears out after high usage; such adapters are referred to as connector savers. Pasternack also offers bulkhead, panel mount, hermetically sealed, reverse polarity, and isolated ground adapter varieties to serve all of your RF, microwave and millimeter wave needs.

#### Electrical Specifications

Description	Minimum	Typical	Maximum	Units
Frequency Range	DC		11	GHz
VSWR			1.2:1	
Operating Voltage (AC)			335	Vrms
Dielectric Withstanding Voltage (AC)			1,000	Vrms
Insulation Resistance	5,000			MOhms

Electrical Specification Notes:  
Values at 25°C, sea level

#### Mechanical Specifications

**Size**  
Length 1.08 in [27.43 mm]

Click the following link (or enter part number in "SEARCH" on website) to obtain additional part information including price, inventory and certifications: [SMA Male to RP-TNC Male Adapter PE9601](#)



## SMA Male to RP-TNC Male Adapter

### RF Adapters Technical Data Sheet

PE9601

Width	0.59 in [14.99 mm]
Weight	0.04 lbs [18.14 g]

Description	Connector 1	Connector 2
Type	SMA Male	TNC Male
Polarity	Standard	Reverse Polarity
Interface Specification	MIL-STD-348	MIL-STD-348
Hex Size	5/16 in.	
Mating Torque	3 to 5 in-lbs [0.34 to 0.57 Nm]	

#### Material Specifications

Description	Connector 1		Connector 2	
	Material	Plating	Material	Plating
Type	SMA Male		TNC Male Reverse Polarity	
Contact		Gold MIL-G-45204		Gold MIL-G-45204
Insulation	PTFE		PTFE	
Body	Brass	Nickel QQ-N-290	Brass	Nickel QQ-N-290
Coupling Nut	Brass	Nickel QQ-N-290	Brass	Nickel QQ-N-290

#### Environmental Specifications

##### Temperature

Operating Range	-65 to +165 deg C
-----------------	-------------------

**Compliance Certifications** (see [product page](#) for current document)

#### Plotted and Other Data

Notes:

Click the following link (or enter part number in "SEARCH" on website) to obtain additional part information including price, inventory and certifications: [SMA Male to RP-TNC Male Adapter PE9601](#)



## SMA Male to RP-TNC Male Adapter

### RF Adapters Technical Data Sheet

PE9601

SMA Male to RP-TNC Male Adapter from Pasternack Enterprises has same day shipment for domestic and International orders. Our RF, microwave and millimeter wave products maintain a 99.4% availability and are part of the broadest selection in the industry.

Click the following link (or enter part number in "SEARCH" on website) to obtain additional part information including price, inventory and certifications: [SMA Male to RP-TNC Male Adapter PE9601](#)

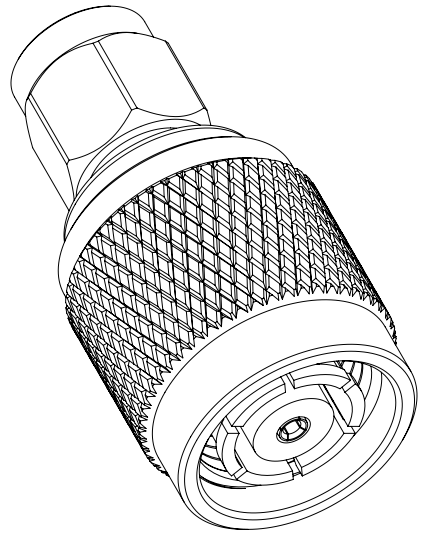
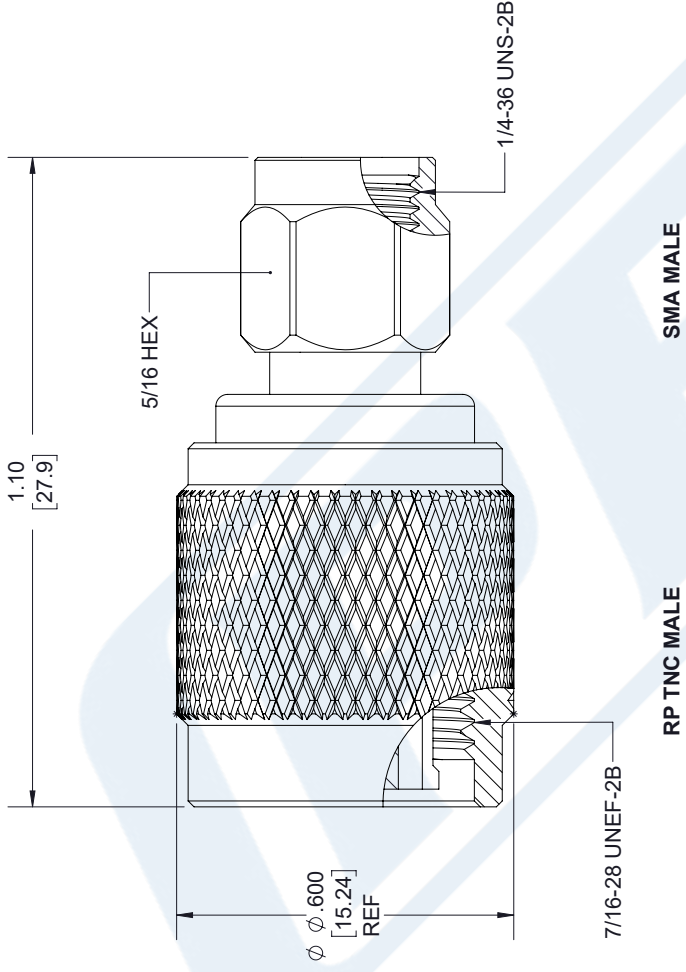
URL: <https://www.pasternack.com/sma-male-tnc-male-straight-adapter-pe9601-p.aspx>

The information contained in this document is accurate to the best of our knowledge and representative of the part described herein. It may be necessary to make modifications to the part and/or the documentation of the part, in order to implement improvements. Pasternack reserves the right to make such changes as required. Unless otherwise stated, all specifications are nominal. Pasternack does not make any representation or warranty regarding the suitability of the part described herein for any particular purpose, and Pasternack does not assume any liability arising out of the use of any part or documentation.

# PE9601 CAD Drawing

## SMA Male to RP-TNC Male Adapter

REVISIONS		
REV.	DESCRIPTION	DATE
1.1	PCR PE9601 20190417	04/27/19
		APPROVED J.GARCIA



<p>UNLESS OTHERWISE SPECIFIED LEADING DIMENSIONS ARE INCHES DIMENSIONS IN [ ] ARE MILLIMETERS</p> <p>TOLERANCES:  X±.2 [5.08] FRACTIONS  .XX±.01 [.25] ±132  .XXX±.005 [.13] ANGLES ± 1°</p> <p>ALL DIMENSIONS SHOWN ARE FOR REFERENCE ONLY.</p> <p>THIRD-ANGLE PROJECTION</p>	<p><b>PE PASTERNAK</b> an INFINITO brand</p> <p>Pasternack Enterprises, Inc.  P.O. Box 16759, Irvine, CA 92623.  Phone: 1.949.261.1920   1.866.727.8376  Fax: 1.949.261.7451  www.pasternack.com   e-mail: sales@pasternack.com</p>	<p>THE INFORMATION AND DESIGN IN THIS DOCUMENT IS THE PROPERTY OF PASTERNAK CORPORATION. ALL RIGHTS RESERVED.</p> <p>SHEET 1 OF 1 SCALE N/A</p>
<p>SIZE A</p> <p>CAGE NUMBER 53919</p> <p>DRAWN BY K.DANG</p> <p>PART NUMBER PE9601</p>	<p>REV A</p>	

THESE COMMODITIES, TECHNOLOGY OR SOFTWARE WERE EXPORTED FROM THE UNITED STATES IN ACCORDANCE WITH THE EXPORT ADMINISTRATION REGULATIONS. DIVERSION CONTRARY TO U.S. LAW PROHIBITED.