



HN Male to HN Female Adapter

RF Adapters Technical Data Sheet

PE9576

Configuration

- HN Male Connector 1
- HN Female Connector 2
- 50 Ohms
- Straight Body Geometry

Features

- HN Interface compliant with MIL-STD-348
- Silver Plated Contact
- Contact Plating per QQ-S-365

Applications

- Connector Saver
- General Purpose Test

Description

Pasternack's PE9576 HN male to HN female adapter is part of our full line of RF components available for same-day shipping. Our HN to HN adapter has a male to female gender configuration. The PE9576 Pasternack RF adapter can also be used as a connector saver to extend equipment life.

RF adapters are often used to enable connections between two connector types that would otherwise not mate. Certain adapter configurations can also be used to protect connectors on expensive equipment where the number of connect/disconnect cycles is high. An RF, microwave or millimeter wave adapter is connected to the equipment, and the commonly changed connection is made with the adapter which can be easily replaced when it wears out after high usage; such adapters are referred to as connector savers. Pasternack also offers bulkhead, panel mount, hermetically sealed, reverse polarity, and isolated ground adapter varieties to serve all of your RF, microwave and millimeter wave needs.

Mechanical Specifications

| | |
|-------------|---------------------|
| Size | |
| Length | 1.857 in [47.17 mm] |
| Width | 0.9 in [22.86 mm] |
| Weight | 0.165 lbs [74.84 g] |

| Description | Connector 1 | Connector 2 |
|-------------------------|-------------|-------------|
| Type | HN Male | HN Female |
| Polarity | Standard | Standard |
| Interface Specification | MIL-STD-348 | MIL-STD-348 |

Click the following link (or enter part number in "SEARCH" on website) to obtain additional part information including price, inventory and certifications: [HN Male to HN Female Adapter PE9576](#)



HN Male to HN Female Adapter

RF Adapters Technical Data Sheet

PE9576

Material Specifications

| Description | Connector 1 | | Connector 2 | |
|-----------------|-------------|--------------------|-------------|--------------------|
| | Material | Plating | Material | Plating |
| Type | HN Male | | HN Female | |
| Contact | | Silver QQ-S-365 | | Silver QQ-S-365 |
| Insulation | PTFE | | PTFE | |
| Outer Conductor | | | Brass | Nickel QQ-N-290 |
| Body | Brass | Nickel QQ-N-290 | | |
| Coupling Nut | Brass | Nickel QQ-N-290 | | |

Compliance Certifications (see [product page](#) for current document)

HN Male to HN Female Adapter from Pasternack Enterprises has same day shipment for domestic and International orders. Our RF, microwave and millimeter wave products maintain a 99% availability and are part of the broadest selection in the industry.

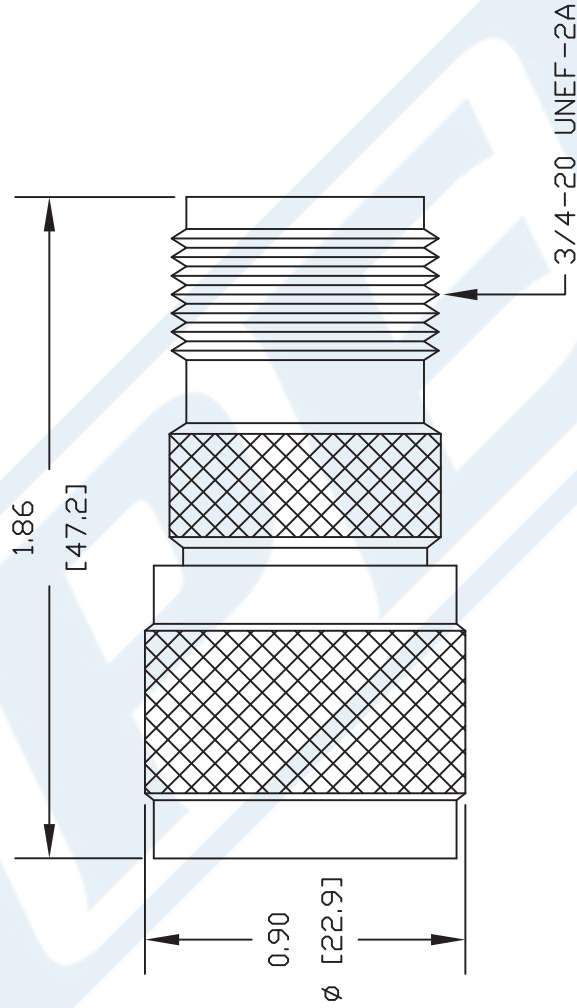
Click the following link (or enter part number in "SEARCH" on website) to obtain additional part information including price, inventory and certifications: [HN Male to HN Female Adapter PE9576](#)

URL: <https://www.pasternack.com/hn-male-hn-female-straight-adapter-pe9576-p.aspx>

The information contained in this document is accurate to the best of our knowledge and representative of the part described herein. It may be necessary to make modifications to the part and/or the documentation of the part, in order to implement improvements. Pasternack reserves the right to make such changes as required. Unless otherwise stated, all specifications are nominal. Pasternack does not make any representation or warranty regarding the suitability of the part described herein for any particular purpose, and Pasternack does not assume any liability arising out of the use of any part or documentation.

PE9576 CAD Drawing

HN Male to HN Female Adapter



DWG TITLE

PE9576

NOTES:
 1. UNLESS OTHERWISE SPECIFIED ALL DIMENSIONS ARE NOMINAL.
 2. ALL SPECIFICATIONS ARE SUBJECT TO CHANGE WITHOUT NOTICE AT ANY TIME.
 3. DIMENSIONS ARE IN INCHES [mm].

REV. -

FSCM NO. 53919

CAD FILE 100202

SCALE N/A

SIZE A

127

PASTERNAK ENTERPRISES, INC.

PO BOX 16759, IRVINE, CA 92623
 PHONE (949) 261-1920 FAX (949) 261-7451

WEB ADDRESS: www.pasternack.com
 E-MAIL ADDRESS: sales@pasternack.com

COAXIAL & FIBER OPTICS

