



SC Female to SC Female Bulkhead Adapter

RF Adapters Technical Data Sheet

PE9573

Configuration

- SC Female Connector 1
- SC Female Connector 2
- 50 Ohms
- Straight Body Geometry
- Bulkhead Mount Method

Features

- SC Interface compliant with MIL-STD-348
- Silver Plated Contact
- Contact Plating per QQ-S-365

Applications

- General Purpose Test
- Rack Mounted Equipment

Description

Pasternack's PE9573 SC female to SC female bulkhead adapter is part of our full line of RF components available for same-day shipping. Our SC to SC adapter has a female to female gender configuration. This RF SC to SC bulkhead adapter allows designers to create external connections on their product enclosures, and can be used in a variety of other rack mount and panel mount applications.

RF adapters are often used to enable connections between two connector types that would otherwise not mate. Certain adapter configurations can also be used to protect connectors on expensive equipment where the number of connect/disconnect cycles is high. An RF, microwave or millimeter wave adapter is connected to the equipment, and the commonly changed connection is made with the adapter which can be easily replaced when it wears out after high usage; such adapters are referred to as connector savers. Pasternack also offers bulkhead, panel mount, hermetically sealed, reverse polarity, and isolated ground adapter varieties to serve all of your RF, microwave and millimeter wave needs.

Mechanical Specifications

Size	
Length	1.8 in [45.72 mm]
Width	0.96 in [24.38 mm]
Weight	0.144 lbs [65.32 g]

Description	Connector 1	Connector 2
Type	SC Female	SC Female
Polarity	Standard	Standard
Interface Specification	MIL-STD-348	MIL-STD-348

Click the following link (or enter part number in "SEARCH" on website) to obtain additional part information including price, inventory and certifications: [SC Female to SC Female Bulkhead Adapter PE9573](#)



SC Female to SC Female Bulkhead Adapter

RF Adapters Technical Data Sheet

PE9573

Material Specifications

Description	Connector 1		Connector 2	
	Material	Plating	Material	Plating
Type	SC Female		SC Female	
Contact		Silver QQ-S-365		Silver QQ-S-365
Insulation	PTFE		PTFE	
Outer Conductor	Brass	Nickel QQ-N-290	Brass	Nickel QQ-N-290

Compliance Certifications (see [product page](#) for current document)

SC Female to SC Female Bulkhead Adapter from Pasternack Enterprises has same day shipment for domestic and International orders. Our RF, microwave and millimeter wave products maintain a 99% availability and are part of the broadest selection in the industry.

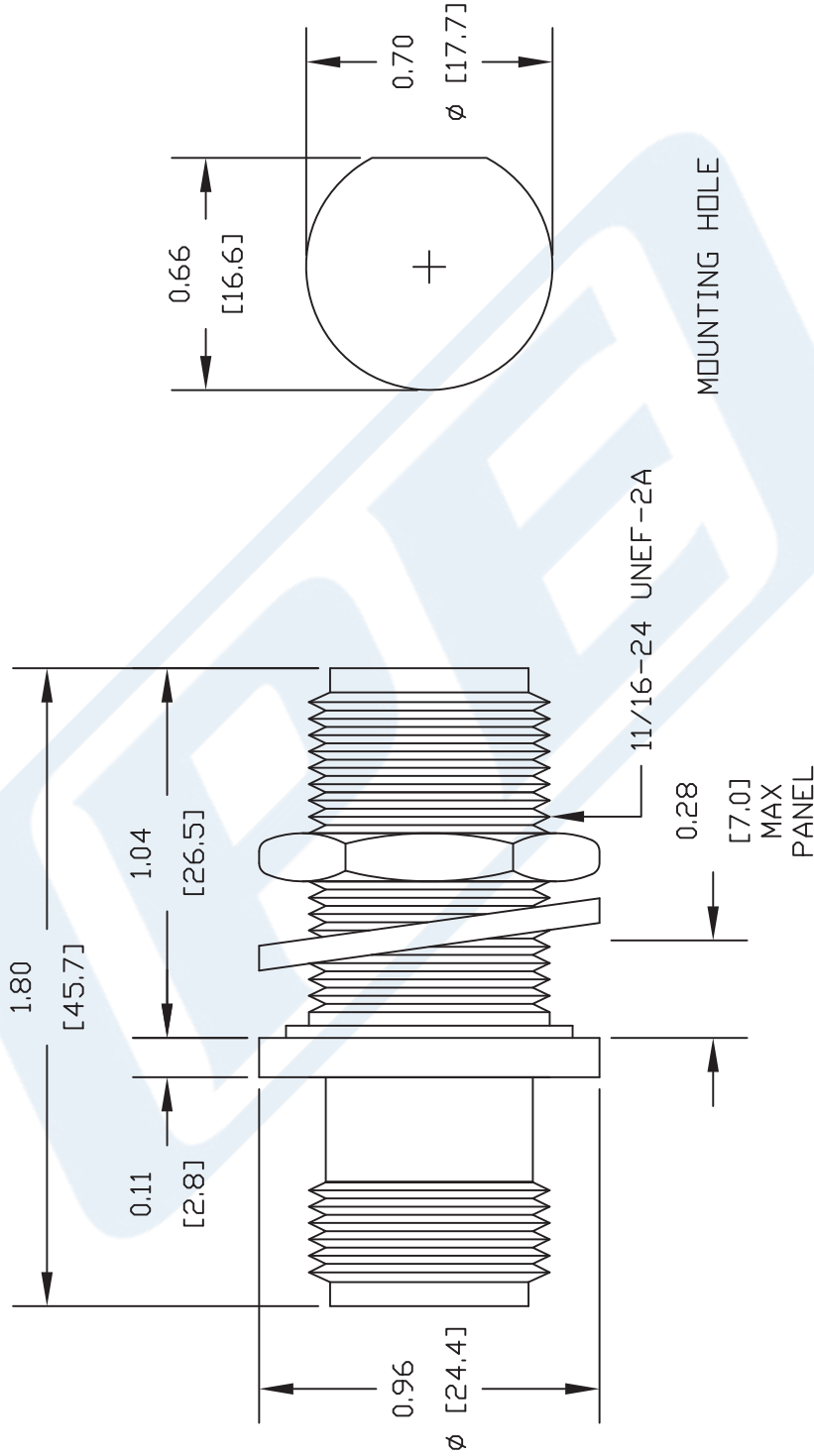
Click the following link (or enter part number in "SEARCH" on website) to obtain additional part information including price, inventory and certifications: [SC Female to SC Female Bulkhead Adapter PE9573](#)

URL: <https://www.pasternack.com/sc-female-sc-female-straight-adapter-pe9573-p.aspx>

The information contained in this document is accurate to the best of our knowledge and representative of the part described herein. It may be necessary to make modifications to the part and/or the documentation of the part, in order to implement improvements. Pasternack reserves the right to make such changes as required. Unless otherwise stated, all specifications are nominal. Pasternack does not make any representation or warranty regarding the suitability of the part described herein for any particular purpose, and Pasternack does not assume any liability arising out of the use of any part or documentation.

PE9573 CAD Drawing

SC Female to SC Female Bulkhead Adapter



DWG TITLE

PE9573

NOTES:
 1. UNLESS OTHERWISE SPECIFIED ALL DIMENSIONS ARE NOMINAL.
 2. ALL SPECIFICATIONS ARE SUBJECT TO CHANGE WITHOUT NOTICE AT ANY TIME.
 3. DIMENSIONS ARE IN INCHES [mm].

PASTERNAK ENTERPRISES, INC.
 P.O. BOX 16759, IRVINE, CA 92623
 PHONE (949) 261-1920 FAX (949) 261-7451
 WEB ADDRESS: www.pasternack.com
 E-MAIL ADDRESS: sales@pasternack.com
COAXIAL & FIBER OPTICS



REV. B

FSCM NO. 53919

CAD FILE 082008

SCALE N/A

SIZE A

127