



7/16 DIN Female to HN Male Adapter

RF Adapters Technical Data Sheet

PE9559

Configuration

- 7/16 DIN Female Connector 1
- HN Male Connector 2
- 50 Ohms
- Straight Body Geometry

Features

- 7/16 DIN Interface compliant with MIL-C-39012
- HN Interface compliant with MIL-STD-348
- Gold Plated Contact
- Contact Plating per MIL-G-45204
- Epoxy captivation

Applications

- Allows Connection Between Series
- General Purpose Test

Description

Pasternack's PE9559 7/16 DIN female to HN male adapter is part of our full line of RF components available for same-day shipping. Our 7/16 DIN to HN adapter has a female to male gender configuration.

RF adapters are often used to enable connections between two connector types that would otherwise not mate. Certain adapter configurations can also be used to protect connectors on expensive equipment where the number of connect/disconnect cycles is high. An RF, microwave or millimeter wave adapter is connected to the equipment, and the commonly changed connection is made with the adapter which can be easily replaced when it wears out after high usage; such adapters are referred to as connector savers. Pasternack also offers bulkhead, panel mount, hermetically sealed, reverse polarity, and isolated ground adapter varieties to serve all of your RF, microwave and millimeter wave needs.

Mechanical Specifications

Size	
Length	1.9 in [48.26 mm]
Width	1.5 in [38.1 mm]
Weight	0.268 lbs [121.56 g]

Description	Connector 1	Connector 2
Type	7/16 DIN Female	HN Male
Polarity	Standard	Standard
Interface Specification	MIL-C-39012	MIL-STD-348
Contact Captivation Method	Epoxy	Epoxy

Click the following link (or enter part number in "SEARCH" on website) to obtain additional part information including price, inventory and certifications: [7/16 DIN Female to HN Male Adapter PE9559](#)



7/16 DIN Female to HN Male Adapter

RF Adapters Technical Data Sheet

PE9559

Material Specifications

Description	Connector 1		Connector 2	
	Material	Plating	Material	Plating
Type	7/16 DIN Female		HN Male	
Contact		Gold MIL-G-45204		Gold MIL-G-45204
Insulation	PTFE		PTFE	
Outer Conductor	Brass	Nickel QQ-N-290		
Body			Brass	Nickel QQ-N-290

Compliance Certifications (see [product page](#) for current document)

7/16 DIN Female to HN Male Adapter from Pasternack Enterprises has same day shipment for domestic and International orders. Our RF, microwave and millimeter wave products maintain a 99% availability and are part of the broadest selection in the industry.

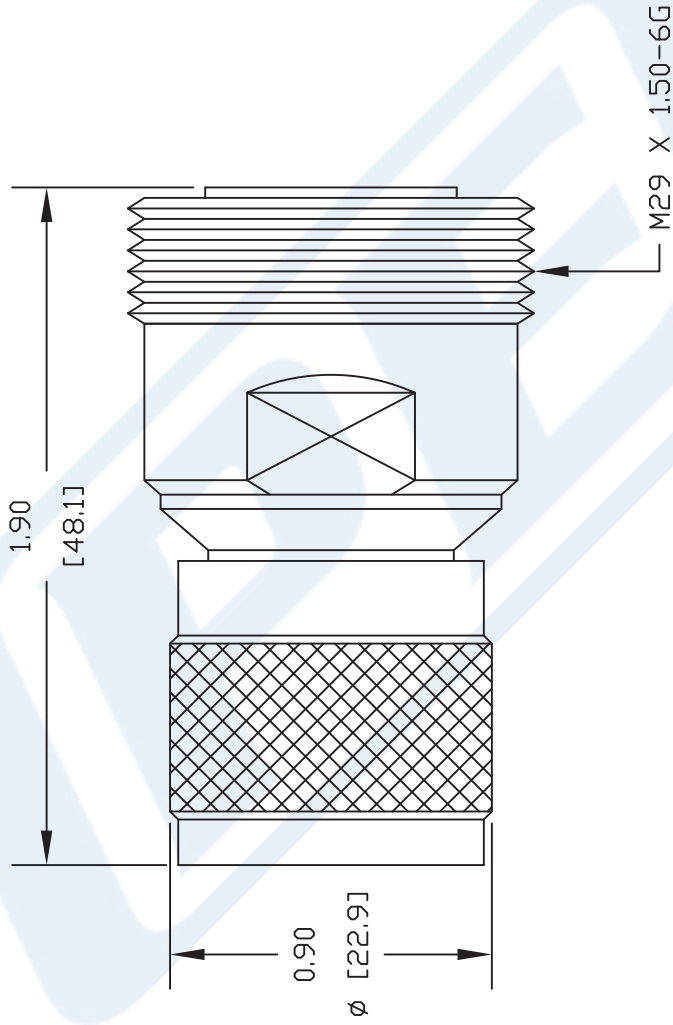
Click the following link (or enter part number in "SEARCH" on website) to obtain additional part information including price, inventory and certifications: [7/16 DIN Female to HN Male Adapter PE9559](#)

URL: <https://www.pasternack.com/7-16-din-female-hn-male-straight-adapter-pe9559-p.aspx>

The information contained in this document is accurate to the best of our knowledge and representative of the part described herein. It may be necessary to make modifications to the part and/or the documentation of the part, in order to implement improvements. Pasternack reserves the right to make such changes as required. Unless otherwise stated, all specifications are nominal. Pasternack does not make any representation or warranty regarding the suitability of the part described herein for any particular purpose, and Pasternack does not assume any liability arising out of the use of any part or documentation.

PE9559 CAD Drawing

7/16 DIN Female to HN Male Adapter



DWG TITLE

PE9559

NOTES:
 1. UNLESS OTHERWISE SPECIFIED ALL DIMENSIONS ARE NOMINAL.
 2. ALL SPECIFICATIONS ARE SUBJECT TO CHANGE WITHOUT NOTICE AT ANY TIME.
 3. DIMENSIONS ARE IN INCHES [mm].

REV. -

FSCM NO. 53919

CAD FILE 100102

SCALE N/A

SIZE A

127



PASTERNAK®
 Pasternack Enterprises, Inc.
 P.O. Box 16759 | Irvine | CA | 92623

Phone: (949) 261-1920 | Fax: (949) 261-7451

Website: www.pasternack.com | E-Mail: sales@pasternack.com