



7/16 DIN Tee Adapter Female-Female-Female

RF Adapters Technical Data Sheet

PE9556

Configuration

- 7/16 DIN Female Connector 1
- 7/16 DIN Female Connector 2
- 50 Ohms
- Tee Body Geometry

Features

- 7/16 DIN interface compliant with MIL-C-39012
- Epoxy captivation
- Contact plating according to QQ-S-365
- Silver Plated Contact

Applications

- General Purpose Test

Description

Pasternack's PE9556 7/16 DIN tee adapter female-female-female is part of our full line of RF components available for same-day shipping. Our 7/16 DIN tee adapter has a female-female-female gender configuration. Tee adapters (also called tee connectors) are three port devices that can be used to split or combine a signal. Unlike power dividers/combiners, however, they do not provide matched impedance at all ports.

RF adapters are often used to enable connections between two connector types that would otherwise not mate. Certain adapter configurations can also be used to protect connectors on expensive equipment where the number of connect/disconnect cycles is high. An RF, microwave or millimeter wave adapter is connected to the equipment, and the commonly changed connection is made with the adapter which can be easily replaced when it wears out after high usage; such adapters are referred to as connector savers. Pasternack also offers bulkhead, panel mount, hermetically sealed, reverse polarity, and isolated ground adapter varieties to serve all of your RF, microwave and millimeter wave needs.

Mechanical Specifications

| Size | |
|--------|----------------------|
| Length | 2.74 in [69.6 mm] |
| Width | 1.14 in [28.96 mm] |
| Height | 1.94 in [49.28 mm] |
| Weight | 0.721 lbs [327.04 g] |

| Description | Connector 1 | Connector 2 |
|----------------------------|-----------------|-----------------|
| Type | 7/16 DIN Female | 7/16 DIN Female |
| Polarity | Standard | Standard |
| Interface Specification | MIL-C-39012 | MIL-C-39012 |
| Contact Captivation Method | Epoxy | Epoxy |

Click the following link (or enter part number in "SEARCH" on website) to obtain additional part information including price, inventory and certifications: [7/16 DIN Tee Adapter Female-Female-Female PE9556](#)



7/16 DIN Tee Adapter Female-Female-Female

RF Adapters Technical Data Sheet

PE9556

Material Specifications

| Description | Connector 1 | | Connector 2 | |
|-----------------|-----------------|--------------------|-----------------|--------------------|
| | Material | Plating | Material | Plating |
| Type | 7/16 DIN Female | | 7/16 DIN Female | |
| Contact | | Silver QQ-S-365 | | Silver QQ-S-365 |
| Insulation | PTFE | | PTFE | |
| Outer Conductor | Brass | Nickel QQ-N-290 | Brass | Nickel QQ-N-290 |
| Gasket | Silicone Rubber | | Silicone Rubber | |

Environmental Specifications

Temperature

Operating Range

-65 to +165 deg C

Compliance Certifications (see [product page](#) for current document)

Plotted and Other Data

Notes:

7/16 DIN Tee Adapter Female-Female-Female from Pasternack Enterprises has same day shipment for domestic and International orders. Our RF, microwave and millimeter wave products maintain a 99% availability and are part of the broadest selection in the industry.

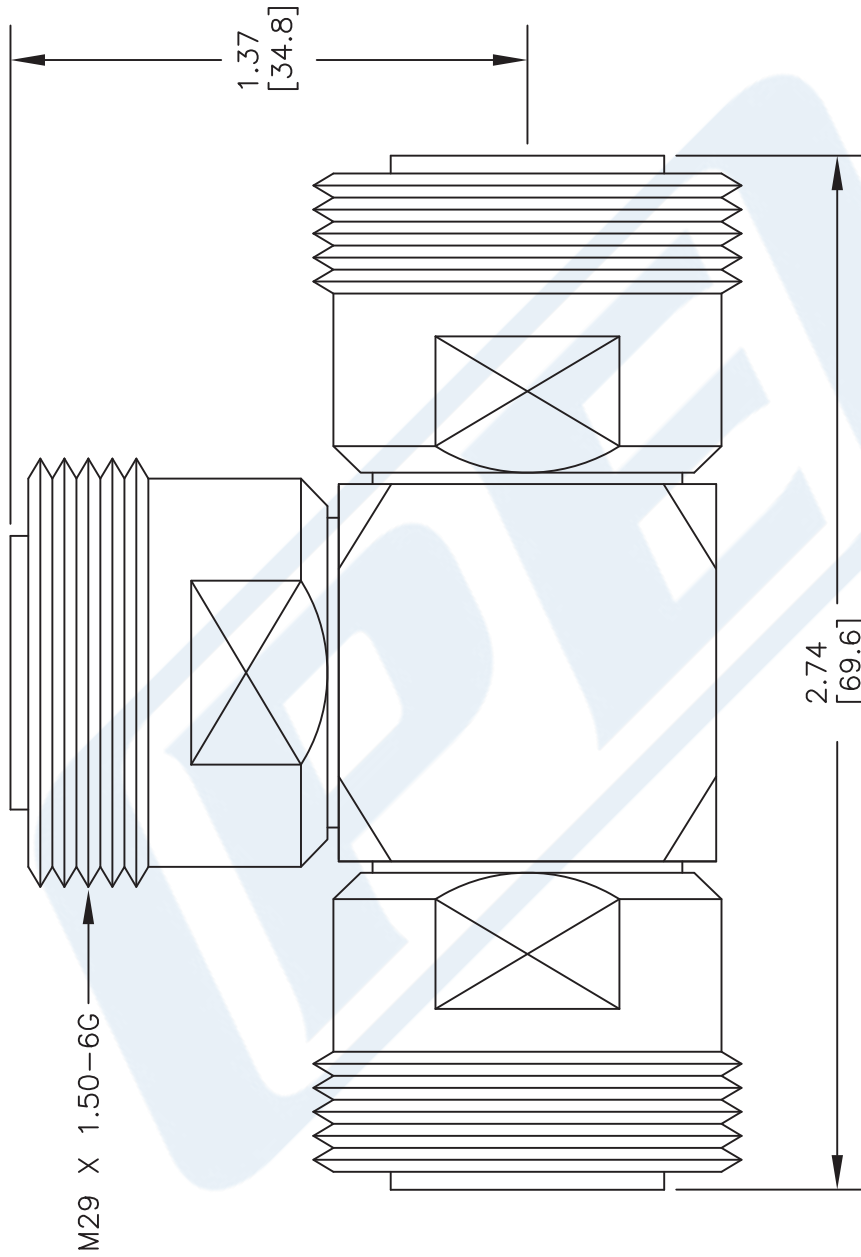
Click the following link (or enter part number in "SEARCH" on website) to obtain additional part information including price, inventory and certifications: [7/16 DIN Tee Adapter Female-Female-Female PE9556](#)

URL: <https://www.pasternack.com/7-16-din-female-female-female-tee-adapter-pe9556-p.aspx>

The information contained in this document is accurate to the best of our knowledge and representative of the part described herein. It may be necessary to make modifications to the part and/or the documentation of the part, in order to implement improvements. Pasternack reserves the right to make such changes as required. Unless otherwise stated, all specifications are nominal. Pasternack does not make any representation or warranty regarding the suitability of the part described herein for any particular purpose, and Pasternack does not assume any liability arising out of the use of any part or documentation.

PE9556 CAD Drawing

7/16 DIN Tee Adapter Female-Female-Female



DWG TITLE

PE9556

NOTES:
 1. UNLESS OTHERWISE SPECIFIED ALL DIMENSIONS ARE NOMINAL.
 2. ALL SPECIFICATIONS ARE SUBJECT TO CHANGE WITHOUT NOTICE AT ANY TIME.
 3. DIMENSIONS ARE IN INCHES [mm].

FSCM NO. 53919

CAD FILE 120412-A

SCALE N/A

SIZE A

2233



Pasternack Enterprises, Inc.
 P.O. Box 16759 | Irvine | CA | 92623
Phone: (949) 261-1920 | **Fax:** (949) 261-7451
Website: www.pasternack.com | **E-Mail:** sales@pasternack.com