



Hermetically Sealed TNC Female to BNC Female Bulkhead Adapter

RF Adapters Technical Data Sheet

PE9483

Configuration

- TNC Female Connector 1
- BNC Female Connector 2
- 50 Ohms
- Straight Body Geometry
- Bulkhead Mount Method

Features

- Max VSWR of 1.5:1 up to 4 GHz
- Hermetically Sealed
- TNC Interface compliant with MIL-STD-348A
- BNC Interface compliant with MIL-STD-348A
- Gold Plated Brass Contact
- 30 µ-in min Gold Contact Plating

Applications

- Allows Connection Between Series
- Vacuum Test Environment
- General Purpose Test
- Rack Mounted Equipment

Description

Pasternack's PE9483 hermetically sealed TNC female to BNC female bulkhead adapter is part of our full line of RF components available for same-day shipping. Our TNC to BNC adapter has a female to female gender configuration. PE9483 TNC female to BNC female adapter operates to 4 GHz. The Pasternack RF adapter provides good VSWR of 1.5:1 maximum. This RF TNC to BNC bulkhead adapter allows designers to create external connections on their product enclosures, and can be used in a variety of other rack mount and panel mount applications. This hermetic TNC to BNC adapter prevents the leakage of gases, making it suitable for high pressure or vacuum applications or whenever an airtight seal is required.

RF adapters are often used to enable connections between two connector types that would otherwise not mate. Certain adapter configurations can also be used to protect connectors on expensive equipment where the number of connect/disconnect cycles is high. An RF, microwave or millimeter wave adapter is connected to the equipment, and the commonly changed connection is made with the adapter which can be easily replaced when it wears out after high usage; such adapters are referred to as connector savers. Pasternack also offers bulkhead, panel mount, hermetically sealed, reverse polarity, and isolated ground adapter varieties to serve all of your RF, microwave and millimeter wave needs.

Electrical Specifications

Description	Minimum	Typical	Maximum	Units
Frequency Range	DC		4	GHz
VSWR		1.24:1	1.5:1	
Operating Voltage (AC)			500	Vrms
Dielectric Withstanding Voltage (AC)			1,500	Vrms
Inner Conductor DC Resistance			1.5	mOhms
Outer Conductor DC Resistance			1	mOhms
Insulation Resistance	5,000			MOhms

Click the following link (or enter part number in "SEARCH" on website) to obtain additional part information including price, inventory and certifications: [Hermetically Sealed TNC Female to BNC Female Bulkhead Adapter PE9483](#)



Hermetically Sealed TNC Female to BNC Female Bulkhead Adapter

RF Adapters Technical Data Sheet

PE9483

Mechanical Specifications

Size

Length	1.55 in [39.37 mm]
Width	0.689 in [17.5 mm]
Weight	0.055 lbs [24.95 g]

Description	Connector 1	Connector 2
Type	TNC Female	BNC Female
Polarity	Standard	Standard
Interface Specification	MIL-STD-348A	MIL-STD-348A
Connector Option	Hermetically Sealed	Hermetically Sealed
Mating Cycles	500	500

Material Specifications

Description	Connector 1		Connector 2	
	Material	Plating	Material	Plating
Type	TNC Female		BNC Female	
Contact	Brass	Gold 30 µ-in minimum	Brass	Gold 30 µ-in minimum
Insulation	PTFE		PTFE	
Outer Conductor	Brass	Nickel 100 µ-in minimum	Brass	Nickel 100 µ-in minimum

Environmental Specifications

Temperature

Operating Range	-65 to +165 deg C
-----------------	-------------------

Compliance Certifications (see [product page](#) for current document)

Plotted and Other Data

Notes:

Click the following link (or enter part number in "SEARCH" on website) to obtain additional part information including price, inventory and certifications: [Hermetically Sealed TNC Female to BNC Female Bulkhead Adapter PE9483](#)

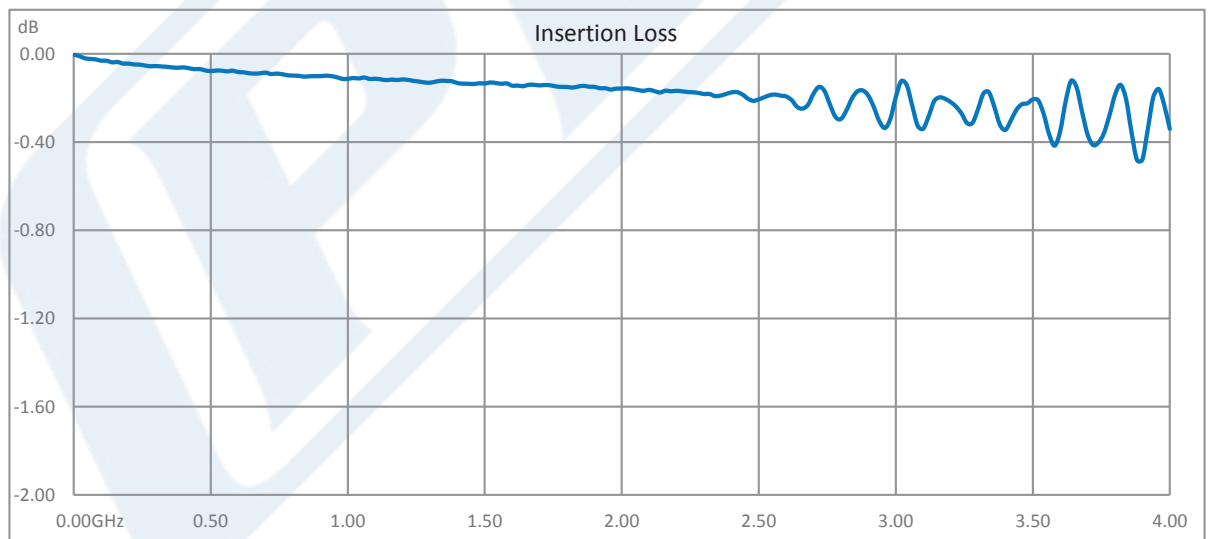
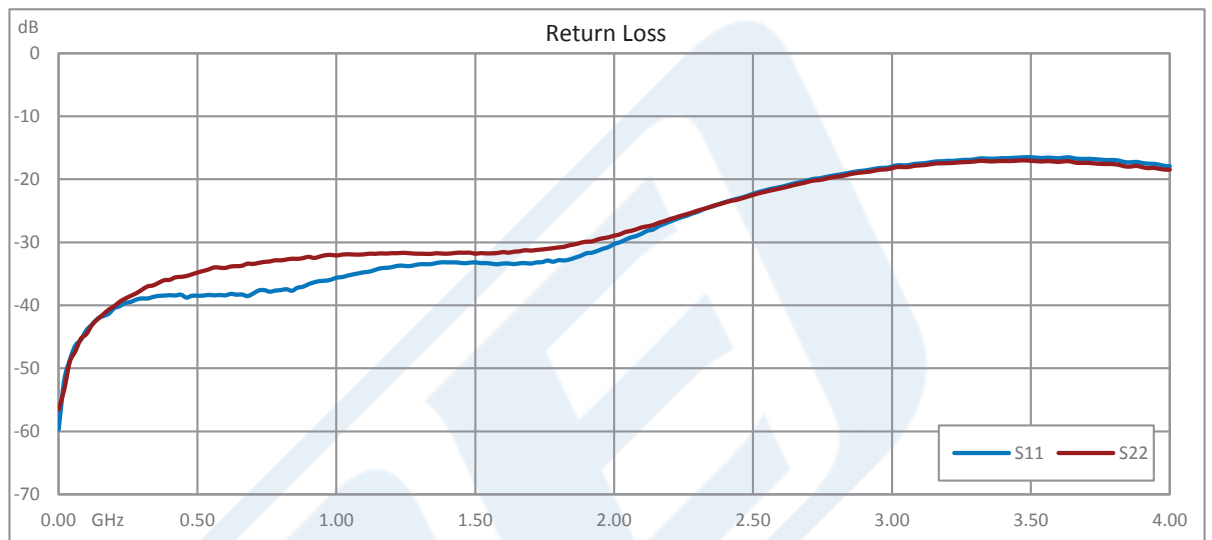


Hermetically Sealed TNC Female to BNC
Female Bulkhead Adapter

RF Adapters Technical Data Sheet

PE9483

Typical Performance Data



Click the following link (or enter part number in "SEARCH" on website) to obtain additional part information including price, inventory and certifications: [Hermetically Sealed TNC Female to BNC Female Bulkhead Adapter PE9483](#)





Hermetically Sealed TNC Female to BNC Female Bulkhead Adapter

RF Adapters Technical Data Sheet

PE9483

Hermetically Sealed TNC Female to BNC Female Bulkhead Adapter from Pasternack Enterprises has same day shipment for domestic and International orders. Our RF, microwave and millimeter wave products maintain a 99% availability and are part of the broadest selection in the industry.

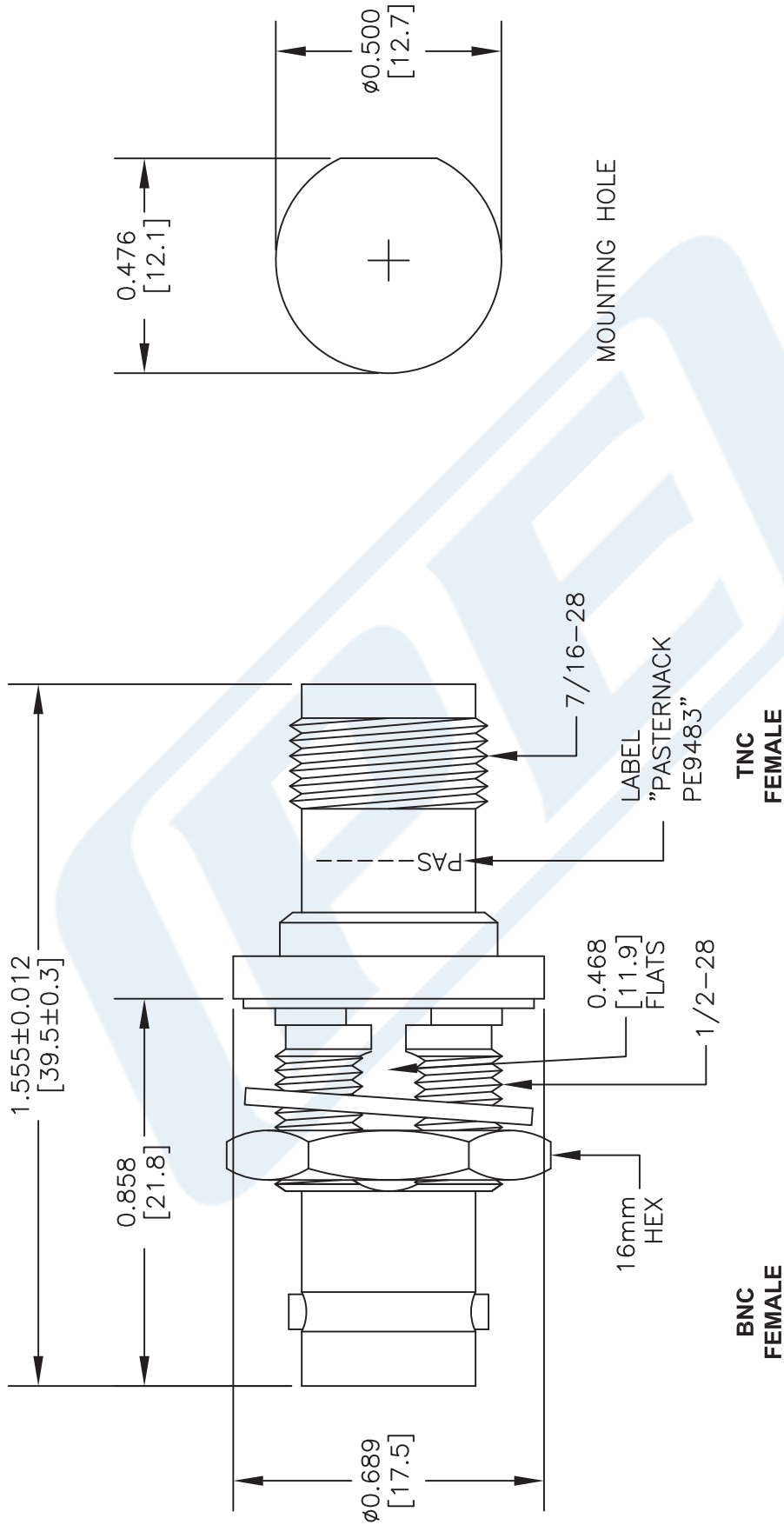
Click the following link (or enter part number in "SEARCH" on website) to obtain additional part information including price, inventory and certifications: [Hermetically Sealed TNC Female to BNC Female Bulkhead Adapter PE9483](https://www.pasternack.com/tnc-female-bnc-female-straight-adapter-pe9483-p.aspx)

URL: <https://www.pasternack.com/tnc-female-bnc-female-straight-adapter-pe9483-p.aspx>

The information contained in this document is accurate to the best of our knowledge and representative of the part described herein. It may be necessary to make modifications to the part and/or the documentation of the part, in order to implement improvements. Pasternack reserves the right to make such changes as required. Unless otherwise stated, all specifications are nominal. Pasternack does not make any representation or warranty regarding the suitability of the part described herein for any particular purpose, and Pasternack does not assume any liability arising out of the use of any part or documentation.

PE9483 CAD Drawing

Hermetically Sealed TNC Female to BNC Female Bulkhead Adapter



STANDARD TOLERANCES	
.X	±0.2
.XX	±0.1
.XXX	±0.05

*STANDARD TOLERANCES APPLY ONLY TO DIMENSIONS IN INCHES

PE PASTERNAK
 THE ENGINEER'S RF SOURCE
 Pasternack Enterprises, Inc.
 P.O. Box 16759 | Irvine | CA | 92623
 Phone: (949) 261-1920 | Fax: (949) 261-7451
 Website: www.pasternack.com | E-Mail: sales@pasternack.com

DWG TITLE
PE9483
 FSCM NO. 53919

NOTES:
 1. UNLESS OTHERWISE SPECIFIED ALL DIMENSIONS ARE NOMINAL.
 2. ALL SPECIFICATIONS ARE SUBJECT TO CHANGE WITHOUT NOTICE AT ANY TIME.
 3. DIMENSIONS ARE IN INCHES [mm].

CAD FILE	021916	SCALE	N/A	SIZE	A	3045
----------	--------	-------	-----	------	---	------