



## SMA Male to D-Sub Plug Adapter

### RF Adapters Technical Data Sheet

PE9425

#### Configuration

- SMA Male Connector 1
- D-Sub Plug Connector 2
- 50 Ohms
- Straight Body Geometry

#### Features

- Gold Plated Contact

#### Applications

- Allows Connection Between Series
- General Purpose Test

#### Description

Pasternack's PE9425 SMA male to D-Sub plug adapter is part of our full line of RF components available for same-day shipping. The SMA connector mates mechanically with commercially available 3.5mm and 2.92mm (K) connectors. Our SMA to D-Sub adapter has a male to plug gender configuration. PE9425 SMA male to D-Sub plug adapter is gold plated.

RF adapters are often used to enable connections between two connector types that would otherwise not mate. Certain adapter configurations can also be used to protect connectors on expensive equipment where the number of connect/disconnect cycles is high. An RF, microwave or millimeter wave adapter is connected to the equipment, and the commonly changed connection is made with the adapter which can be easily replaced when it wears out after high usage; such adapters are referred to as connector savers. Pasternack also offers bulkhead, panel mount, hermetically sealed, reverse polarity, and isolated ground adapter varieties to serve all of your RF, microwave and millimeter wave needs.

#### Mechanical Specifications

##### Size

Length	1.584 in [40.23 mm]
Width	0.312 in [7.92 mm]
Weight	0.013 lbs [5.9 g]

Description	Connector 1	Connector 2
Type	SMA Male	D-Sub Plug
Polarity	Standard	Standard

Click the following link (or enter part number in "SEARCH" on website) to obtain additional part information including price, inventory and certifications: [SMA Male to D-Sub Plug Adapter PE9425](#)



## SMA Male to D-Sub Plug Adapter

### RF Adapters Technical Data Sheet

PE9425

#### Material Specifications

Description	Connector 1		Connector 2	
	Material	Plating	Material	Plating
Type	SMA Male		D-Sub Plug	
Contact		Gold		Gold
Insulation	PTFE		PTFE	
Body	Brass	Gold	Brass	Gold

#### Compliance Certifications (see [product page](#) for current document)

SMA Male to D-Sub Plug Adapter from Pasternack Enterprises has same day shipment for domestic and International orders. Our RF, microwave and millimeter wave products maintain a 99% availability and are part of the broadest selection in the industry.

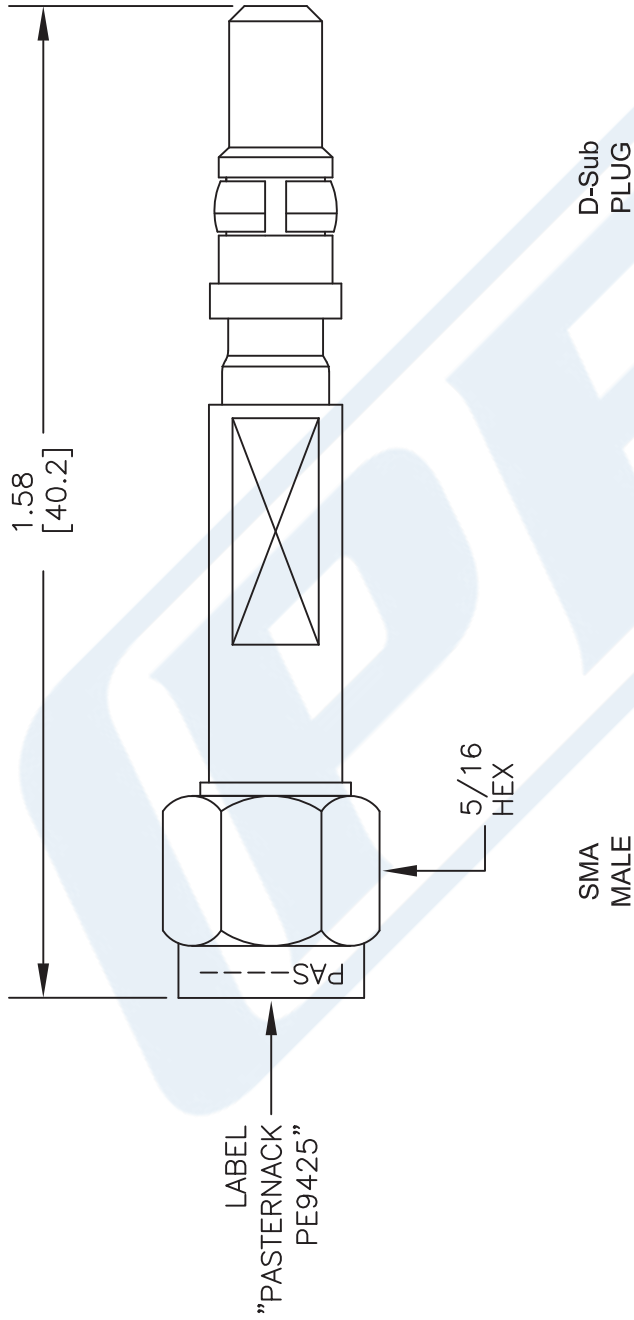
Click the following link (or enter part number in "SEARCH" on website) to obtain additional part information including price, inventory and certifications: [SMA Male to D-Sub Plug Adapter PE9425](#)

URL: <https://www.pasternack.com/sma-male-d-sub-plug-straight-adapter-pe9425-p.aspx>

The information contained in this document is accurate to the best of our knowledge and representative of the part described herein. It may be necessary to make modifications to the part and/or the documentation of the part, in order to implement improvements. Pasternack reserves the right to make such changes as required. Unless otherwise stated, all specifications are nominal. Pasternack does not make any representation or warranty regarding the suitability of the part described herein for any particular purpose, and Pasternack does not assume any liability arising out of the use of any part or documentation.

# PE9425 CAD Drawing

## SMA Male to D-Sub Plug Adapter



### STANDARD TOLERANCES

.X ±0.2  
 .XX ±0.1  
 .XXX ±0.05

\*STANDARD TOLERANCES APPLY ONLY TO DIMENSIONS IN INCHES



Pasternack Enterprises, Inc.  
 P.O. Box 16759 | Irvine | CA | 92623  
**Phone:** (949) 261-1920 | **Fax:** (949) 261-7451  
**Website:** www.pasternack.com | **E-Mail:** sales@pasternack.com

DWG TITLE

**PE9425**

NOTES:  
 1. UNLESS OTHERWISE SPECIFIED ALL DIMENSIONS ARE NOMINAL.  
 2. ALL SPECIFICATIONS ARE SUBJECT TO CHANGE WITHOUT NOTICE AT ANY TIME.  
 3. DIMENSIONS ARE IN INCHES [mm].

FSCM NO. 53919

CAD FILE 061616

SCALE N/A

SIZE A

2233