



SMA Male to D-Sub Receptacle Adapter

TECHNICAL DATA SHEET

PE9424

SMA Male to D-Sub Receptacle Adapter

Configuration

Connector 1	SMA Male
Impedance 1	50 Ohms
Connector 2	D-Sub Receptacle
Impedance 2	50 Ohms
Adapter Design	Standard
Body Style	Straight

Mechanical Specifications

Size

Length, in [mm]	1.604 [40.74]
Width/Dia., in [mm]	0.312 [7.92]

Connector 1

Type	SMA Male
Inner Conductor Material and Plating	Gold
Body Material and Plating	Brass, Gold
Dielectric Type	PTFE

Connector 2

Type	D-Sub Receptacle
Inner Conductor Material and Plating	Gold
Body Material and Plating	Brass, Gold
Dielectric Type	PTFE

Compliance Certifications (visit www.Pasternack.com for current document)

Plotted and Other Data

Notes: Values at 25 °C, sea level

SMA Male to D-Sub Receptacle Adapter from Pasternack Enterprises has same day shipment for domestic and International orders. Our RF, microwave and fiber optic products maintain a 99% availability and are part of the broadest selection in the industry.

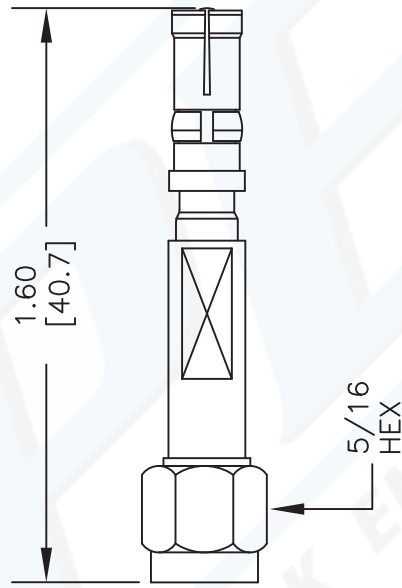
Click the following link (or enter part number in "SEARCH" on website) to obtain additional part information including price, inventory and certifications: [SMA Male to D-Sub Receptacle Adapter PE9424](http://www.pasternack.com/sma-male-d-sub-receptacle-straight-adapter-pe9424-p.aspx)

URL: <http://www.pasternack.com/sma-male-d-sub-receptacle-straight-adapter-pe9424-p.aspx>

The information contained in this document is accurate to the best of our knowledge and representative of the part described herein. It may be necessary to make modifications to the part and/or the documentation of the part, in order to implement improvements. Pasternack reserves the right to make such changes as required. Unless otherwise stated, all specifications are nominal.

PE9424 CAD Drawing

SMA Male to D-Sub Receptacle Adapter



NOTES:
 1. UNLESS OTHERWISE SPECIFIED ALL DIMENSIONS ARE NOMINAL.
 2. ALL SPECIFICATIONS ARE SUBJECT TO CHANGE WITHOUT NOTICE AT ANY TIME.
 3. DIMENSIONS ARE IN INCHES [mm].

DWG TITLE

PE9424

FSCM NO. 53919

2233

SIZE A

SCALE N/A

CAD FILE 032513-A



PASTERNAK®
 Pasternack Enterprises, Inc.
 P.O. Box 16759 | Irvine | CA | 92623

Phone: (949) 261-1920 | Fax: (949) 261-7451

Website: www.pasternack.com | E-Mail: sales@pasternack.com