



SMA Female to D-Sub Plug Adapter

RF Adapters Technical Data Sheet

PE9422

Configuration

- SMA Female Connector 1
- D-Sub Plug Connector 2
- 50 Ohms
- Straight Body Geometry

Features

- Gold Plated Beryllium Copper Contact
- 50 μ-in min Gold Contact Plating

Applications

- Allows Connection Between Series
- General Purpose Test

Description

Pasternack's PE9422 SMA female to D-Sub plug adapter is part of our full line of RF components available for same-day shipping. The SMA connector mates mechanically with commercially available 3.5mm and 2.92mm (K) connectors. Our SMA to D-Sub adapter has a female to plug gender configuration.

RF adapters are often used to enable connections between two connector types that would otherwise not mate. Certain adapter configurations can also be used to protect connectors on expensive equipment where the number of connect/disconnect cycles is high. An RF, microwave or millimeter wave adapter is connected to the equipment, and the commonly changed connection is made with the adapter which can be easily replaced when it wears out after high usage; such adapters are referred to as connector savers. Pasternack also offers bulkhead, panel mount, hermetically sealed, reverse polarity, and isolated ground adapter varieties to serve all of your RF, microwave and millimeter wave needs.

Mechanical Specifications

Size

Length	0.862 in [21.89 mm]
Width	0.315 in [8 mm]
Weight	0.006 lbs [2.72 g]

Description	Connector 1	Connector 2
Type	SMA Female	D-Sub Plug
Polarity	Standard	Standard

Material Specifications

Description	Connector 1		Connector 2	
	Material	Plating	Material	Plating
Type	SMA Female		D-Sub Plug	
Contact	Beryllium Copper	Gold 50 μ-in minimum	Beryllium Copper	Gold 50 μ-in minimum
Insulation	PTFE		PTFE	
Outer Conductor	Brass	Gold		

Click the following link (or enter part number in "SEARCH" on website) to obtain additional part information including price, inventory and certifications: [SMA Female to D-Sub Plug Adapter PE9422](#)



SMA Female to D-Sub Plug Adapter

RF Adapters Technical Data Sheet

PE9422

	30 μ-in minimum		
Body		Brass	Gold
			30 μ-in minimum
Coupling Nut		Brass	Gold
			30 μ-in minimum

Compliance Certifications (see [product page](#) for current document)

SMA Female to D-Sub Plug Adapter from Pasternack Enterprises has same day shipment for domestic and International orders. Our RF, microwave and millimeter wave products maintain a 99% availability and are part of the broadest selection in the industry.

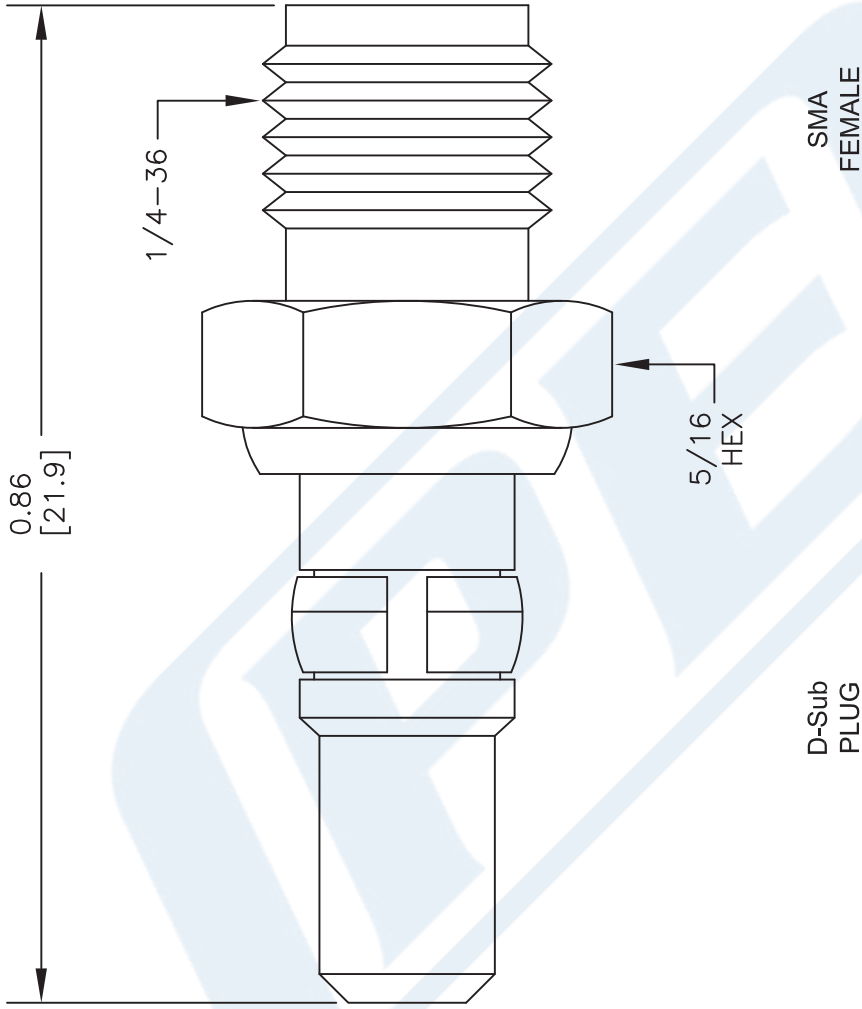
Click the following link (or enter part number in "SEARCH" on website) to obtain additional part information including price, inventory and certifications: [SMA Female to D-Sub Plug Adapter PE9422](#)

URL: <https://www.pasternack.com/sma-female-d-sub-plug-straight-adapter-pe9422-p.aspx>

The information contained in this document is accurate to the best of our knowledge and representative of the part described herein. It may be necessary to make modifications to the part and/or the documentation of the part, in order to implement improvements. Pasternack reserves the right to make such changes as required. Unless otherwise stated, all specifications are nominal. Pasternack does not make any representation or warranty regarding the suitability of the part described herein for any particular purpose, and Pasternack does not assume any liability arising out of the use of any part or documentation.

PE9422 CAD Drawing

SMA Female to D-Sub Plug Adapter



STANDARD TOLERANCES

.X ±0.2
.XX ±0.1
.XXX ±0.05

*STANDARD TOLERANCES APPLY
ONLY TO DIMENSIONS IN INCHES



Pasternack Enterprises, Inc.
P.O. Box 16759 | Irvine | CA | 92623
Phone: (949) 261-1920 | Fax: (949) 261-7451
Website: www.pasternack.com | E-Mail: sales@pasternack.com

DWG TITLE

PE9422

NOTES:
1. UNLESS OTHERWISE SPECIFIED ALL DIMENSIONS ARE NOMINAL.
2. ALL SPECIFICATIONS ARE SUBJECT TO CHANGE WITHOUT NOTICE AT ANY TIME.
3. DIMENSIONS ARE IN INCHES [mm].

FSCM NO. 53919

CAD FILE 061616

SCALE N/A

SIZE A

2233