



95 Ohm 3/4 inch-20 Twinax Tee Adapter Female-Male-Female

RF Adapters Technical Data Sheet

PE9374

Configuration

- 3/4"-20 Twinax Female Connector 1
- 3/4"-20 Twinax Male Connector 2
- 95 Ohm
- Tee Body Geometry

Applications

- General Purpose Test

Description

Pasternack's PE9374 95 ohm 3/4 inch-20 Twinax Tee adapter female-male-female is part of our full line of RF components available for same-day shipping. Our 3/4 inch-20 Twinax tee adapter has a female-male-female gender configuration. Our 3/4 inch-20 Twinax tee connector operates to 400 MHz. Tee adapters (also called tee connectors) are three port devices that can be used to split or combine a signal. Unlike power dividers/combiners, however, they do not provide matched impedance at all ports.

RF adapters are often used to enable connections between two connector types that would otherwise not mate. Certain adapter configurations can also be used to protect connectors on expensive equipment where the number of connect/disconnect cycles is high. An RF, microwave or millimeter wave adapter is connected to the equipment, and the commonly changed connection is made with the adapter which can be easily replaced when it wears out after high usage; such adapters are referred to as connector savers. Pasternack also offers bulkhead, panel mount, hermetically sealed, reverse polarity, and isolated ground adapter varieties to serve all of your RF, microwave and millimeter wave needs.

Electrical Specifications

Description	Minimum	Typical	Maximum	Units
Frequency Range	DC		400	MHz

Mechanical Specifications

Size	
Length	1.9 in [48.26 mm]
Width	0.865 in [21.97 mm]
Height	1.781 in [45.24 mm]
Weight	0.18 lbs [81.65 g]

Description	Connector 1	Connector 2
Type	3/4"-20 Twinax Female	3/4"-20 Twinax Male
Polarity	Standard	Standard

Click the following link (or enter part number in "SEARCH" on website) to obtain additional part information including price, inventory and certifications: [95 Ohm 3/4 inch-20 Twinax Tee Adapter Female-Male-Female PE9374](#)



95 Ohm 3/4 inch-20 Twinax Tee Adapter Female-Male-Female

RF Adapters Technical Data Sheet

PE9374

Material Specifications

Description	Connector 1		Connector 2	
	Material	Plating	Material	Plating
Type	3/4"-20 Twinax Female		3/4"-20 Twinax Male	
Contact		Gold		Gold
Insulation	PBT		PBT	
Body	Brass	Nickel	Brass	Nickel
Coupling Nut			Brass	Nickel

Environmental Specifications

Temperature

Operating Range -65 to +165 °C

Compliance Certifications (see [product page](#) for current document)

Plotted and Other Data

Notes:

95 Ohm 3/4 inch-20 Twinax Tee Adapter Female-Male-Female from Pasternack Enterprises has same day shipment for domestic and International orders. Our RF, microwave and millimeter wave products maintain a 99.4% availability and are part of the broadest selection in the industry.

Click the following link (or enter part number in "SEARCH" on website) to obtain additional part information including price, inventory and certifications: [95 Ohm 3/4 inch-20 Twinax Tee Adapter Female-Male-Female PE9374](#)

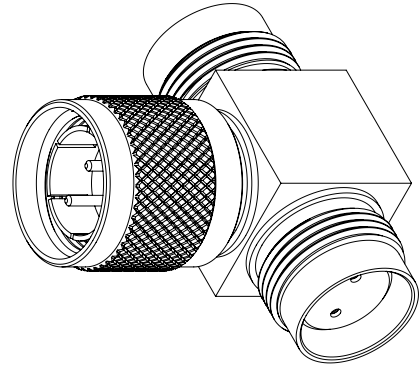
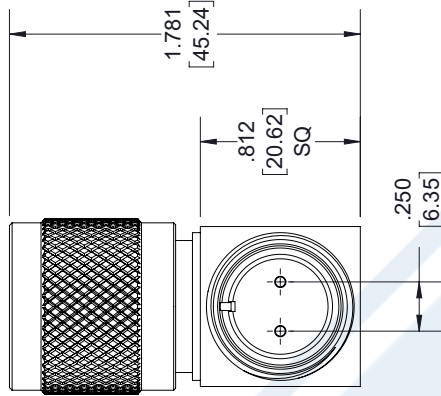
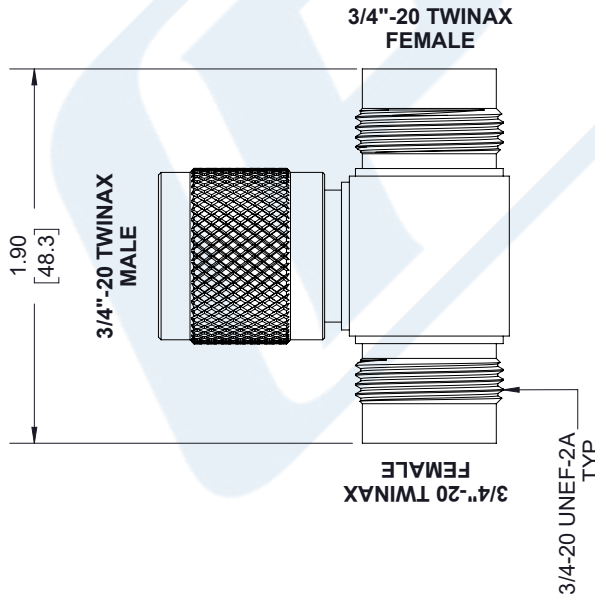
URL: <https://www.pasternack.com/3-4-inch-20-female-male-female-tee-adapter-pe9374-p.aspx>

The information contained in this document is accurate to the best of our knowledge and representative of the part described herein. It may be necessary to make modifications to the part and/or the documentation of the part, in order to implement improvements. Pasternack reserves the right to make such changes as required. Unless otherwise stated, all specifications are nominal. Pasternack does not make any representation or warranty regarding the suitability of the part described herein for any particular purpose, and Pasternack does not assume any liability arising out of the use of any part or documentation.

PE9374 CAD Drawing

95 Ohm 3/4 inch-20 Twinax Tee Adapter Female-Male-Female

REVISIONS		
REV.	DESCRIPTION	DATE
A	INITIAL RELEASE	3/30/2020
		APPROVED
		S. ELLIS



UNLESS OTHERWISE SPECIFIED LEADING DIMENSIONS ARE INCHES DIMENSIONS IN [] ARE MILLIMETERS

TOLERANCES:
 .X = ±.2 [5.08] FRACTIONS ± 1/32
 .XX = ±.02 [.51] ANGLES ± 1°
 .XXX = ±.005 [.13]

CABLE LENGTH (L) TOLERANCES:
 L ≤ 12 [305] = +1 [25] / -0
 12 [305] < L ≤ 60 [1524] = +2 [51] / -0
 60 [1524] < L ≤ 120 [3048] = +4 [102] / -0
 120 [3048] < L ≤ 300 [7620] = +6 [152] / -0
 300 [7620] < L = +5% / L / -0

ALL DIMENSIONS SHOWN ARE FOR REFERENCE ONLY.

PE PASTERNAK
an INFINIT brand

Pasternack Enterprises, Inc.
P. O. Box 16759, Irvine, CA 92623.
Phone: 1.949.261.1920 | 1.866.727.8376
Fax: 1.949.261.7451
Website: www.pasternack.com
E-mail: sales@pasternack.com

SHEET 1 OF 1
 SCALE N/A

THIRD-ANGLE PROJECTION

THE INFORMATION AND DESIGN IN THIS DOCUMENT IS THE PROPERTY OF PASTERNAK CORPORATION. ALL RIGHTS RESERVED.

ITEM NO. PE9374
 DRAWN BY K. DANG
 CAGE CODE A 53919

REV A