



## N Male to SMB Jack Adapter

### RF Adapters Technical Data Sheet

PE9313

#### Configuration

- N Male Connector 1
- SMB Jack Connector 2
- 50 Ohms
- Straight Body Geometry

#### Features

- Gold Plated Brass Contact
- 30 μ-in min Gold Contact Plating

#### Applications

- Allows Connection Between Series
- General Purpose Test

#### Description

Pasternack's PE9313 type N male to SMB jack adapter is part of our full line of RF components available for same-day shipping. Our type N to SMB adapter has a male to jack gender configuration.

RF adapters are often used to enable connections between two connector types that would otherwise not mate. Certain adapter configurations can also be used to protect connectors on expensive equipment where the number of connect/disconnect cycles is high. An RF, microwave or millimeter wave adapter is connected to the equipment, and the commonly changed connection is made with the adapter which can be easily replaced when it wears out after high usage; such adapters are referred to as connector savers. Pasternack also offers bulkhead, panel mount, hermetically sealed, reverse polarity, and isolated ground adapter varieties to serve all of your RF, microwave and millimeter wave needs.

#### Mechanical Specifications

##### Size

Length	1.275 in [32.39 mm]
Width	0.8 in [20.32 mm]
Weight	0.07 lbs [31.75 g]

Description	Connector 1	Connector 2
Type	N Male	SMB Jack
Polarity	Standard	Standard
Interface Specification	MIL-STD-348A	

#### Material Specifications

Description	Connector 1		Connector 2	
	Material	Plating	Material	Plating
Type	N Male		SMB Jack	
Contact	Brass	Gold 30 μ-in minimum	Brass	Gold 30 μ-in minimum
Insulation	PTFE		PTFE	
Outer Conductor			Brass	Nickel

Click the following link (or enter part number in "SEARCH" on website) to obtain additional part information including price, inventory and certifications: [N Male to SMB Jack Adapter PE9313](#)



## N Male to SMB Jack Adapter

### RF Adapters Technical Data Sheet

PE9313

			100 μ-in minimum
Body	Brass	Nickel	
		100 μ-in minimum	
Gasket	Silicone		
Coupling Nut	Brass	Nickel	
		100 μ-in minimum	

#### Compliance Certifications (see [product page](#) for current document)

N Male to SMB Jack Adapter from Pasternack Enterprises has same day shipment for domestic and International orders. Our RF, microwave and millimeter wave products maintain a 99% availability and are part of the broadest selection in the industry.

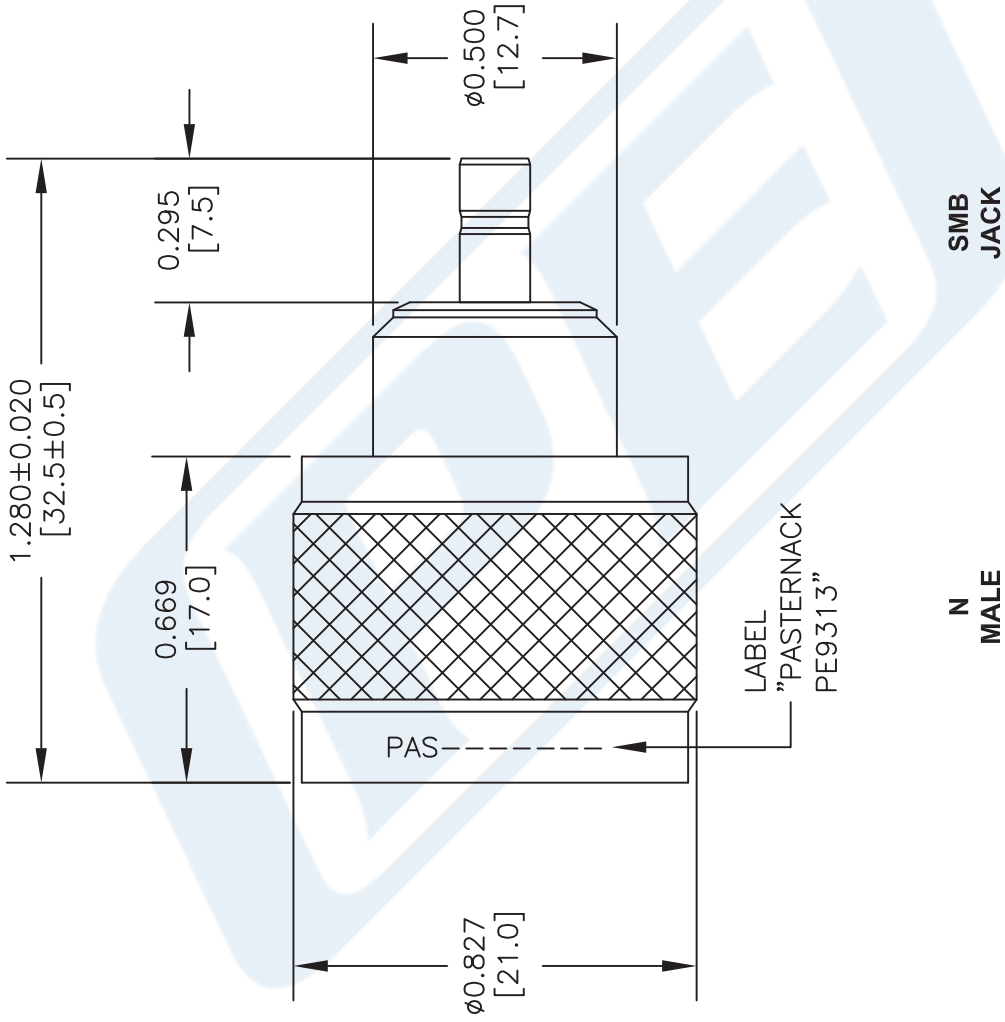
Click the following link (or enter part number in "SEARCH" on website) to obtain additional part information including price, inventory and certifications: [N Male to SMB Jack Adapter PE9313](#)

URL: <https://www.pasternack.com/n-male-smb-jack-straight-adapter-pe9313-p.aspx>

The information contained in this document is accurate to the best of our knowledge and representative of the part described herein. It may be necessary to make modifications to the part and/or the documentation of the part, in order to implement improvements. Pasternack reserves the right to make such changes as required. Unless otherwise stated, all specifications are nominal. Pasternack does not make any representation or warranty regarding the suitability of the part described herein for any particular purpose, and Pasternack does not assume any liability arising out of the use of any part or documentation.

# PE9313 CAD Drawing

## N Male to SMB Jack Adapter



### STANDARD TOLERANCES

.X ±0.2  
 .XX ±0.1  
 .XXX ±0.05

\*STANDARD TOLERANCES APPLY ONLY TO DIMENSIONS IN INCHES



Pasternack Enterprises, Inc.  
 P.O. Box 16759 | Irvine | CA | 92623  
 Phone: (949) 261-1920 | Fax: (949) 261-7451  
 Website: www.pasternack.com | E-Mail: sales@pasternack.com

DWG TITLE

**PE9313**

NOTES:  
 1. UNLESS OTHERWISE SPECIFIED ALL DIMENSIONS ARE NOMINAL.  
 2. ALL SPECIFICATIONS ARE SUBJECT TO CHANGE WITHOUT NOTICE AT ANY TIME.  
 3. DIMENSIONS ARE IN INCHES [mm].

FSCM NO. 53919

CAD FILE 021716

SCALE N/A

SIZE A

3045