



## MHV Male to BNC Female Adapter

### RF Adapters Technical Data Sheet

**PE9297**

#### Configuration

- MHV Male Connector 1
- BNC Female Connector 2
- 50 Ohm
- Straight Body Geometry

#### Features

- Max VSWR of 1.3:1 up to 300 MHz
- MHV interface compliant with MIL-STD-348A
- BNC interface compliant with MIL-STD-348A
- 30  $\mu$ -in minimum contact plating
- Gold Plated Brass Contact
- Max VSWR of 1.3:1 up to 300 MHz
- MHV Interface compliant with MIL-STD-348A
- Gold Plated Brass Contact
- 30  $\mu$ -in min Gold Contact Plating

#### Applications

- Allows Connection Between Series
- Connector Saver
- General Purpose Test
- General Purpose Test

#### Description

Pasternack's PE9297 MHV male to BNC female adapter is part of our full line of RF components available for same-day shipping. Our MHV to BNC adapter has a male to female gender configuration. PE9297 MHV male to BNC female adapter operates to 300 MHz. The Pasternack RF adapter provides good VSWR of 1.3:1 maximum. Pasternack's PE9297 MHV female to MHV male adapter is part of our full line of RF components available for same-day shipping. Our MHV to MHV adapter has a female to male gender configuration. PE9297 MHV female to MHV male adapter operates to 300 MHz. The Pasternack RF adapter provides good VSWR of 1.3:1 maximum. The PE9297 Pasternack RF adapter can also be used as a connector saver to extend equipment life.

RF adapters are often used to enable connections between two connector types that would otherwise not mate. Certain adapter configurations can also be used to protect connectors on expensive equipment where the number of connect/disconnect cycles is high. An RF, microwave or millimeter wave adapter is connected to the equipment, and the commonly changed connection is made with the adapter which can be easily replaced when it wears out after high usage; such adapters are referred to as connector savers. Pasternack also offers bulkhead, panel mount, hermetically sealed, reverse polarity, and isolated ground adapter varieties to serve all of your RF, microwave and millimeter wave needs.

#### Electrical Specifications

| Description                          | Minimum | Typical | Maximum | Units |
|--------------------------------------|---------|---------|---------|-------|
| Frequency Range                      | DC      |         | 300     | MHz   |
| VSWR                                 |         |         | 1.3:1   |       |
| Operating Voltage (AC)               |         |         | 1,600   | Vrms  |
| Dielectric Withstanding Voltage (AC) |         |         | 5,000   | Vrms  |

#### Mechanical Specifications

| Size   |                     |
|--------|---------------------|
| Length | 1.535 in [38.99 mm] |

Click the following link (or enter part number in "SEARCH" on website) to obtain additional part information including price, inventory and certifications: [MHV Male to BNC Female Adapter PE9297](#)



MHV Male to BNC Female Adapter

**RF Adapters Technical Data Sheet**

**PE9297**

Width 0.571 in [14.5 mm]  
Weight 0.037 lbs [16.78 g]

| Description             | Connector 1  | Connector 2  |
|-------------------------|--------------|--------------|
| Type                    | MHV Male     | BNC Female   |
| Polarity                | Standard     | Standard     |
| Interface Specification | MIL-STD-348A | MIL-STD-348A |

**Material Specifications**

| Description     | Connector 1 |                            | Connector 2 |                            |
|-----------------|-------------|----------------------------|-------------|----------------------------|
|                 | Material    | Plating                    | Material    | Plating                    |
| Type            | MHV Male    |                            | BNC Female  |                            |
| Contact         | Brass       | Gold<br>30 μ-in minimum    | Brass       | Gold<br>30 μ-in minimum    |
| Insulation      | PTFE        |                            | PTFE        |                            |
| Outer Conductor |             |                            | Brass       | Nickel<br>100 μ-in minimum |
| Body            |             |                            | Brass       | Nickel<br>100 μ-in minimum |
| Coupling Nut    | Brass       | Nickel<br>100 μ-in minimum |             |                            |

**Environmental Specifications**

**Temperature**

Operating Range -65 to 165 deg C

**Compliance Certifications** (see [product page](#) for current document)

**Plotted and Other Data**

Notes:

Click the following link (or enter part number in "SEARCH" on website) to obtain additional part information including price, inventory and certifications: [MHV Male to BNC Female Adapter PE9297](#)





## MHV Male to BNC Female Adapter

### RF Adapters Technical Data Sheet

**PE9297**

MHV Male to BNC Female Adapter from Pasternack Enterprises has same day shipment for domestic and International orders. Our RF, microwave and millimeter wave products maintain a 99.4% availability and are part of the broadest selection in the industry.

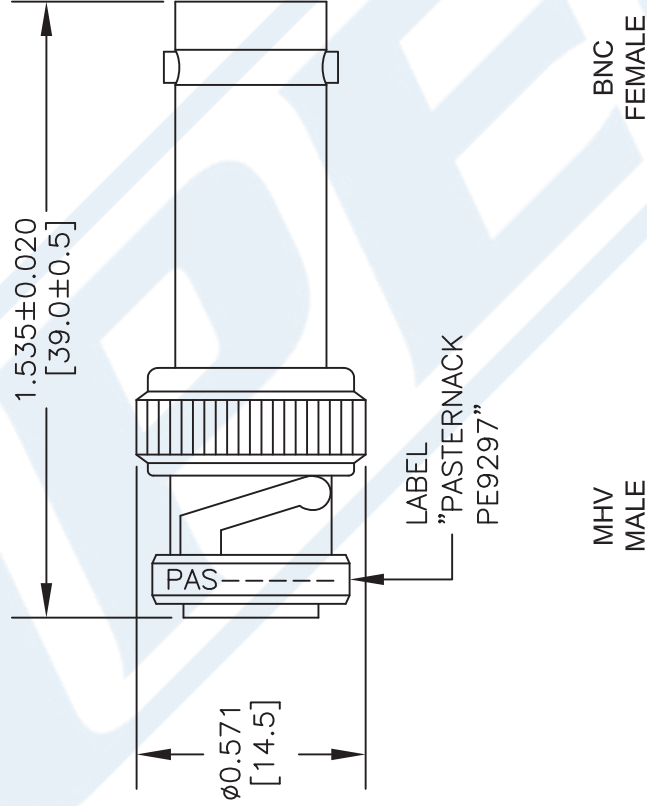
Click the following link (or enter part number in "SEARCH" on website) to obtain additional part information including price, inventory and certifications: [MHV Male to BNC Female Adapter PE9297](https://www.pasternack.com/bnc-female-mhv-male-straight-adapter-pe9297-p.aspx)

URL: <https://www.pasternack.com/bnc-female-mhv-male-straight-adapter-pe9297-p.aspx>

The information contained in this document is accurate to the best of our knowledge and representative of the part described herein. It may be necessary to make modifications to the part and/or the documentation of the part, in order to implement improvements. Pasternack reserves the right to make such changes as required. Unless otherwise stated, all specifications are nominal. Pasternack does not make any representation or warranty regarding the suitability of the part described herein for any particular purpose, and Pasternack does not assume any liability arising out of the use of any part or documentation.

# PE9297 CAD Drawing

## MHV Male to BNC Female Adapter



### STANDARD TOLERANCES

.X ±0.2  
.XX ±0.1  
.XXX ±0.05

\*STANDARD TOLERANCES APPLY ONLY TO DIMENSIONS IN INCHES

**PE PASTERNAK**  
THE ENGINEER'S RF SOURCE  
Pasternack Enterprises, Inc.  
P.O. Box 16759 | Irvine | CA | 92623  
Phone: (949) 261-1920 | Fax: (949) 261-7451  
Website: www.pasternack.com | E-Mail: sales@pasternack.com

DWG TITLE

**PE9297**

CAGE CODE 53919

NOTES:  
1. UNLESS OTHERWISE SPECIFIED ALL DIMENSIONS ARE NOMINAL.  
2. ALL SPECIFICATIONS ARE SUBJECT TO CHANGE WITHOUT NOTICE AT ANY TIME.  
3. DIMENSIONS ARE IN INCHES [mm].

CAD FILE

060217

SCALE N/A

SIZE A

2233