



Bulkhead Hermetically Sealed MHV  
Female to MHV Female Adapter

RF Adapters Technical Data Sheet

PE9268

**Configuration**

- MHV Female Connector 1
- MHV Female Connector 2
- 50 Ohms
- Straight Body Geometry
- Bulkhead Mount Method

**Features**

- Hermetically Sealed
- MHV Interface compliant with MIL-STD-348
- Silver Plated Contact
- Contact Plating per QQ-S-365

**Applications**

- General Purpose Test
- Vacuum Test Environment
- Rack Mounted Equipment

**Description**

Pasternack's PE9268 bulkhead hermetically sealed MHV female to MHV female adapter is part of our full line of RF components available for same-day shipping. Our MHV to MHV adapter has a female to female gender configuration. This RF MHV bulkhead to MHV adapter allows designers to create external connections on their product enclosures, and can be used in a variety of other rack mount and panel mount applications. This hermetic MHV to MHV adapter prevents the leakage of gases, making it suitable for high pressure or vacuum applications or whenever an airtight seal is required.

RF adapters are often used to enable connections between two connector types that would otherwise not mate. Certain adapter configurations can also be used to protect connectors on expensive equipment where the number of connect/disconnect cycles is high. An RF, microwave or millimeter wave adapter is connected to the equipment, and the commonly changed connection is made with the adapter which can be easily replaced when it wears out after high usage; such adapters are referred to as connector savers. Pasternack also offers bulkhead, panel mount, hermetically sealed, reverse polarity, and isolated ground adapter varieties to serve all of your RF, microwave and millimeter wave needs.

**Mechanical Specifications**

<b>Size</b>	
Length	1.433 in [36.4 mm]
Width	0.688 in [17.48 mm]
Weight	0.048 lbs [21.77 g]

Description	Connector 1	Connector 2
Type	MHV Female	MHV Female
Polarity	Standard	Standard
Interface Specification	MIL-STD-348	MIL-STD-348
Connector Option	Hermetically Sealed	Hermetically Sealed

Click the following link (or enter part number in "SEARCH" on website) to obtain additional part information including price, inventory and certifications: [Bulkhead Hermetically Sealed MHV Female to MHV Female Adapter PE9268](#)





Bulkhead Hermetically Sealed MHV  
 Female to MHV Female Adapter

RF Adapters Technical Data Sheet

PE9268

**Material Specifications**

Description	Connector 1		Connector 2	
	Material	Plating	Material	Plating
Type	MHV Female		MHV Female	
Contact		Silver QQ-S-365		Silver QQ-S-365
Insulation	PTFE		PTFE	
Outer Conductor	Brass	Nickel QQ-N-290	Brass	Nickel QQ-N-290

Environmental Specification Notes:  
 Pressure Rating: 50 PSI

**Compliance Certifications** (see [product page](#) for current document)

Bulkhead Hermetically Sealed MHV Female to MHV Female Adapter from Pasternack Enterprises has same day shipment for domestic and International orders. Our RF, microwave and millimeter wave products maintain a 99% availability and are part of the broadest selection in the industry.

Click the following link (or enter part number in "SEARCH" on website) to obtain additional part information including price, inventory and certifications: [Bulkhead Hermetically Sealed MHV Female to MHV Female Adapter PE9268](#)

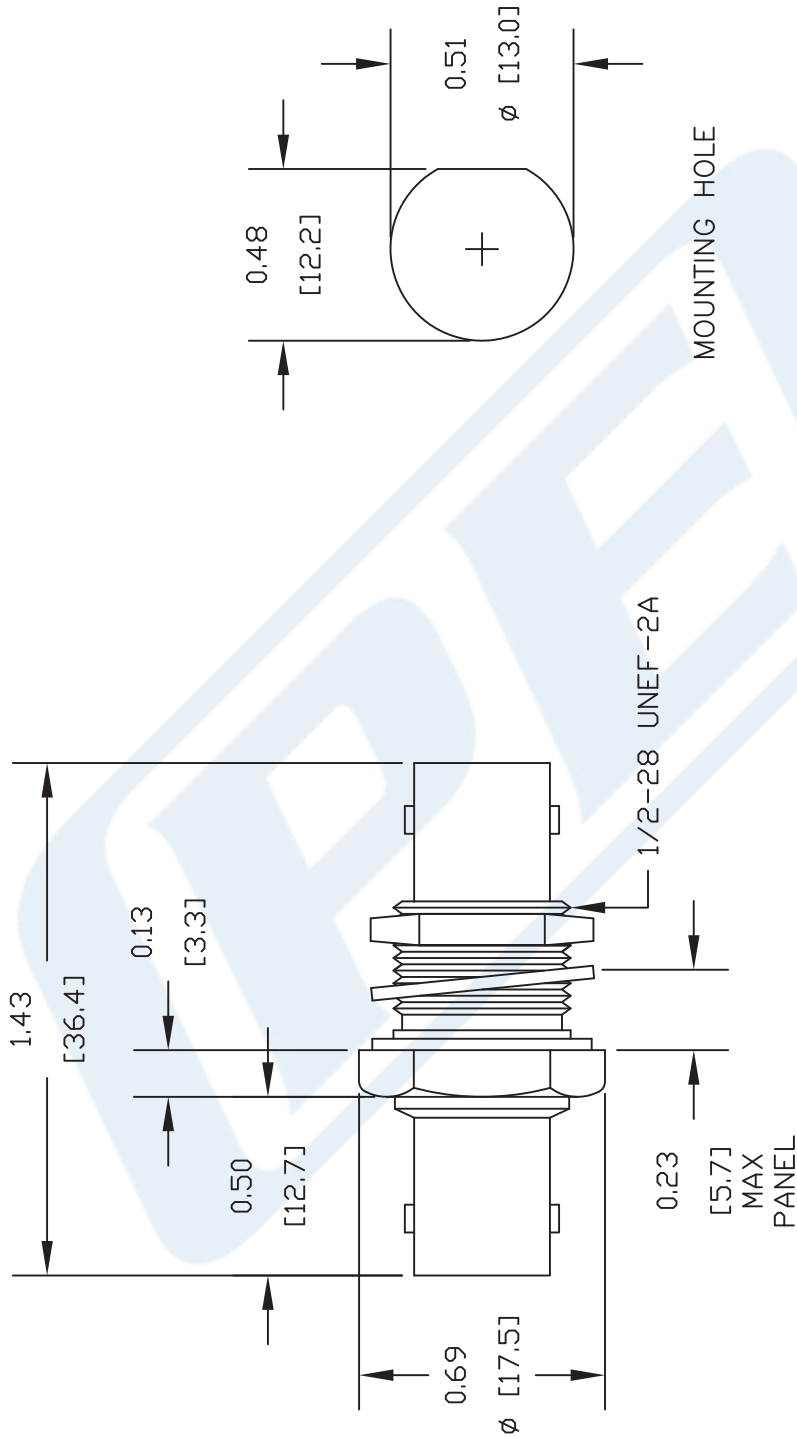
URL: <https://www.pasternack.com/mhv-female-mhv-female-straight-adapter-pe9268-p.aspx>

The information contained in this document is accurate to the best of our knowledge and representative of the part described herein. It may be necessary to make modifications to the part and/or the documentation of the part, in order to implement improvements. Pasternack reserves the right to make such changes as required. Unless otherwise stated, all specifications are nominal. Pasternack does not make any representation or warranty regarding the suitability of the part described herein for any particular purpose, and Pasternack does not assume any liability arising out of the use of any part or documentation.



# PE9268 CAD Drawing

Bulkhead Hermetically Sealed MHV Female to MHV Female Adapter



DWG TITLE

**PE9268**

NOTES:  
 1. UNLESS OTHERWISE SPECIFIED ALL DIMENSIONS ARE NOMINAL.  
 2. ALL SPECIFICATIONS ARE SUBJECT TO CHANGE WITHOUT NOTICE AT ANY TIME.  
 3. DIMENSIONS ARE IN INCHES [mm].

REV. A

FSCM NO. 53919

CAD FILE 042110

SCALE N/A

SIZE A

127



Pasternack Enterprises, Inc.  
 P.O. Box 16759 | Irvine | CA | 92623  
**Phone:** (949) 261-1920 | **Fax:** (949) 261-7451  
**Website:** www.pasternack.com | **E-Mail:** sales@pasternack.com