



## MHV Male to MHV Female Right Angle Adapter

### RF Adapters Technical Data Sheet

PE9266

#### Configuration

- MHV Male Connector 1
- MHV Female Connector 2
- 50 Ohm
- Right Angle Body Geometry

#### Features

- MHV interface compliant with MIL-STD-384
- Contact plating according to QQ-S-365
- Silver Plated Beryllium Copper Contact

#### Applications

- General Purpose Test

#### Description

Pasternack's PE9266 MHV male to MHV female right angle adapter is part of our full line of RF components available for same-day shipping. Our MHV to MHV adapter has a male to female gender configuration. PE9266 MHV male to MHV female adapter operates to 50 MHz. This right angle MHV to MHV adapter allows for easier connections in tight spaces.

RF adapters are often used to enable connections between two connector types that would otherwise not mate. Certain adapter configurations can also be used to protect connectors on expensive equipment where the number of connect/disconnect cycles is high. An RF, microwave or millimeter wave adapter is connected to the equipment, and the commonly changed connection is made with the adapter which can be easily replaced when it wears out after high usage; such adapters are referred to as connector savers. Pasternack also offers bulkhead, panel mount, hermetically sealed, reverse polarity, and isolated ground adapter varieties to serve all of your RF, microwave and millimeter wave needs.

#### Electrical Specifications

Description	Minimum	Typical	Maximum	Units
Frequency Range	DC		50	MHz
Operating Voltage (AC)			3,500	Vrms
Operating Voltage (DC)			5,000	Vdc
Dielectric Withstanding Voltage (AC)			5,000	Vrms

#### Mechanical Specifications

Size	
Length	1.08 in [27.43 mm]
Width	0.56 in [14.22 mm]
Height	0.84 in [21.34 mm]
Weight	0.0361 lbs [16.37 g]

Click the following link (or enter part number in "SEARCH" on website) to obtain additional part information including price, inventory and certifications: [MHV Male to MHV Female Right Angle Adapter PE9266](#)



## MHV Male to MHV Female Right Angle Adapter

### RF Adapters Technical Data Sheet

PE9266

Description	Connector 1	Connector 2
Type	MHV Male	MHV Female
Polarity	Standard	Standard
Interface Specification	MIL-STD-384	MIL-STD-384

#### Material Specifications

Description	Connector 1		Connector 2	
	Material	Plating	Material	Plating
Type	MHV Male		MHV Female	
Contact	Beryllium Copper	Silver QQ-S-365	Beryllium Copper	Silver QQ-S-365
Insulation	PTFE		PTFE	
Outer Conductor			Brass	Nickel QQ-N-290
Body	Brass	Nickel QQ-N-290	Brass	Nickel QQ-N-290
Coupling Nut	Brass	Nickel QQ-N-290		

#### Environmental Specifications

##### Temperature

Operating Range

-65 to +165 deg C

**Compliance Certifications** (see [product page](#) for current document)

#### Plotted and Other Data

Notes:

Click the following link (or enter part number in "SEARCH" on website) to obtain additional part information including price, inventory and certifications: [MHV Male to MHV Female Right Angle Adapter PE9266](#)



## MHV Male to MHV Female Right Angle Adapter

### RF Adapters Technical Data Sheet

PE9266

MHV Male to MHV Female Right Angle Adapter from Pasternack Enterprises has same day shipment for domestic and International orders. Our RF, microwave and millimeter wave products maintain a 99.4% availability and are part of the broadest selection in the industry.

Click the following link (or enter part number in "SEARCH" on website) to obtain additional part information including price, inventory and certifications: [MHV Male to MHV Female Right Angle Adapter PE9266](#)

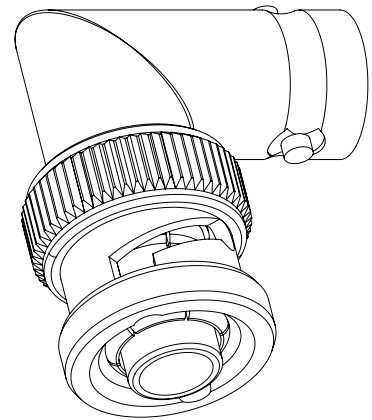
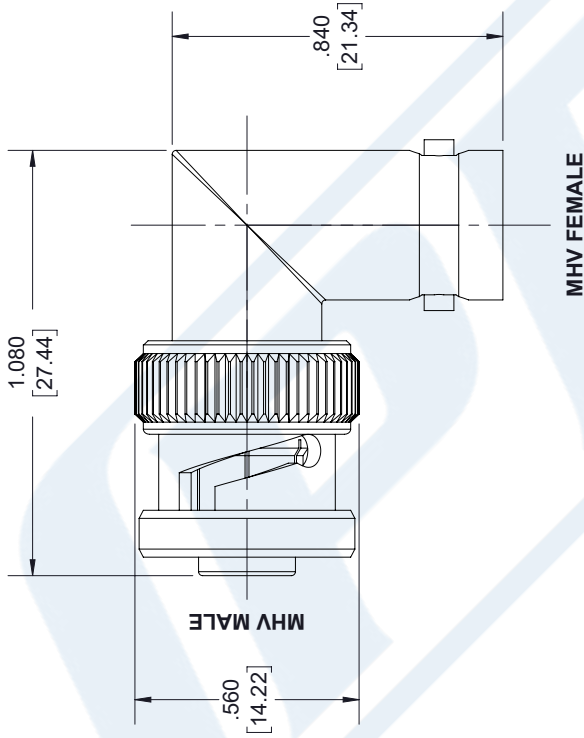
URL: <https://www.pasternack.com/mhv-male-mhv-female-right-angle-adapter-pe9266-p.aspx>

The information contained in this document is accurate to the best of our knowledge and representative of the part described herein. It may be necessary to make modifications to the part and/or the documentation of the part, in order to implement improvements. Pasternack reserves the right to make such changes as required. Unless otherwise stated, all specifications are nominal. Pasternack does not make any representation or warranty regarding the suitability of the part described herein for any particular purpose, and Pasternack does not assume any liability arising out of the use of any part or documentation.

# PE9266 CAD Drawing

## MHV Male to MHV Female Right Angle Adapter

REVISIONS			
REV.	DESCRIPTION	DATE	APPROVED
1.2	PCR PE9266 20190618	07/15/19	S.ELLIS



UNLESS OTHERWISE SPECIFIED  
LEADING DIMENSIONS ARE INCHES  
DIMENSIONS IN [ ] ARE MILLIMETERS

TOLERANCES:  
X±.2 [5.08]  
XX±.01 [ .25]  
XXX±.005 [ .13]

FRACTIONS  
±.132  
ANGLES ± 1°

ALL DIMENSIONS SHOWN  
ARE FOR REFERENCE ONLY.

THIRD-ANGLE PROJECTION



Pasternack Enterprises, Inc.  
P.O. Box 16759, Irvine, CA 92623.  
Phone: 1.949.261.1920 | 1.866.727.8376  
Fax: 1.949.261.7451  
www.pasternack.com | e-mail: sales@pasternack.com

SIZE [CAGE] DRAWN BY PART NUMBER  
A 53919 K.DANG PE9266

THE INFORMATION AND DESIGN IN THIS DOCUMENT IS THE PROPERTY OF PASTERNAK CORPORATION. ALL RIGHTS RESERVED.

SHEET 1 OF 1  
SCALE N/A

REV 1.2

THESE COMMODITIES, TECHNOLOGY OR SOFTWARE WERE EXPORTED FROM THE UNITED STATES IN ACCORDANCE WITH THE EXPORT ADMINISTRATION REGULATIONS. DIVERSION CONTRARY TO U.S. LAW PROHIBITED.