



N Female to BNC Female Bulkhead Adapter

RF Adapters Technical Data Sheet

PE9261

Configuration

- N Female Connector 1
- BNC Female Connector 2
- 50 Ohms
- Straight Body Geometry
- Bulkhead Mount Method

Features

- Gold Plated Brass Contact

Applications

- Allows Connection Between Series
- General Purpose Test
- Rack Mounted Equipment

Description

Pasternack's PE9261 type N female to BNC female bulkhead adapter is part of our full line of RF components available for same-day shipping. Our type N to BNC adapter has a female to female gender configuration. This RF type N to BNC bulkhead adapter allows designers to create external connections on their product enclosures, and can be used in a variety of other rack mount and panel mount applications.

RF adapters are often used to enable connections between two connector types that would otherwise not mate. Certain adapter configurations can also be used to protect connectors on expensive equipment where the number of connect/disconnect cycles is high. An RF, microwave or millimeter wave adapter is connected to the equipment, and the commonly changed connection is made with the adapter which can be easily replaced when it wears out after high usage; such adapters are referred to as connector savers. Pasternack also offers bulkhead, panel mount, hermetically sealed, reverse polarity, and isolated ground adapter varieties to serve all of your RF, microwave and millimeter wave needs.

Mechanical Specifications

Size

| | |
|--------|---------------------|
| Length | 1.77 in [44.96 mm] |
| Width | 0.866 in [22 mm] |
| Weight | 0.116 lbs [52.62 g] |

| Description | Connector 1 | Connector 2 |
|-------------|-------------|-------------|
| Type | N Female | BNC Female |
| Polarity | Standard | Standard |

Material Specifications

| Description | Connector 1 | | Connector 2 | |
|-------------|-------------|---------|-------------|---------|
| | Material | Plating | Material | Plating |
| Type | N Female | | BNC Female | |
| Contact | Brass | Gold | Brass | Gold |
| Insulation | PTFE | | PTFE | |

Click the following link (or enter part number in "SEARCH" on website) to obtain additional part information including price, inventory and certifications: [N Female to BNC Female Bulkhead Adapter PE9261](#)



N Female to BNC Female Bulkhead Adapter

RF Adapters Technical Data Sheet

PE9261

Outer Conductor Brass Nickel Brass Nickel

Compliance Certifications (see [product page](#) for current document)

N Female to BNC Female Bulkhead Adapter from Pasternack Enterprises has same day shipment for domestic and International orders. Our RF, microwave and millimeter wave products maintain a 99% availability and are part of the broadest selection in the industry.

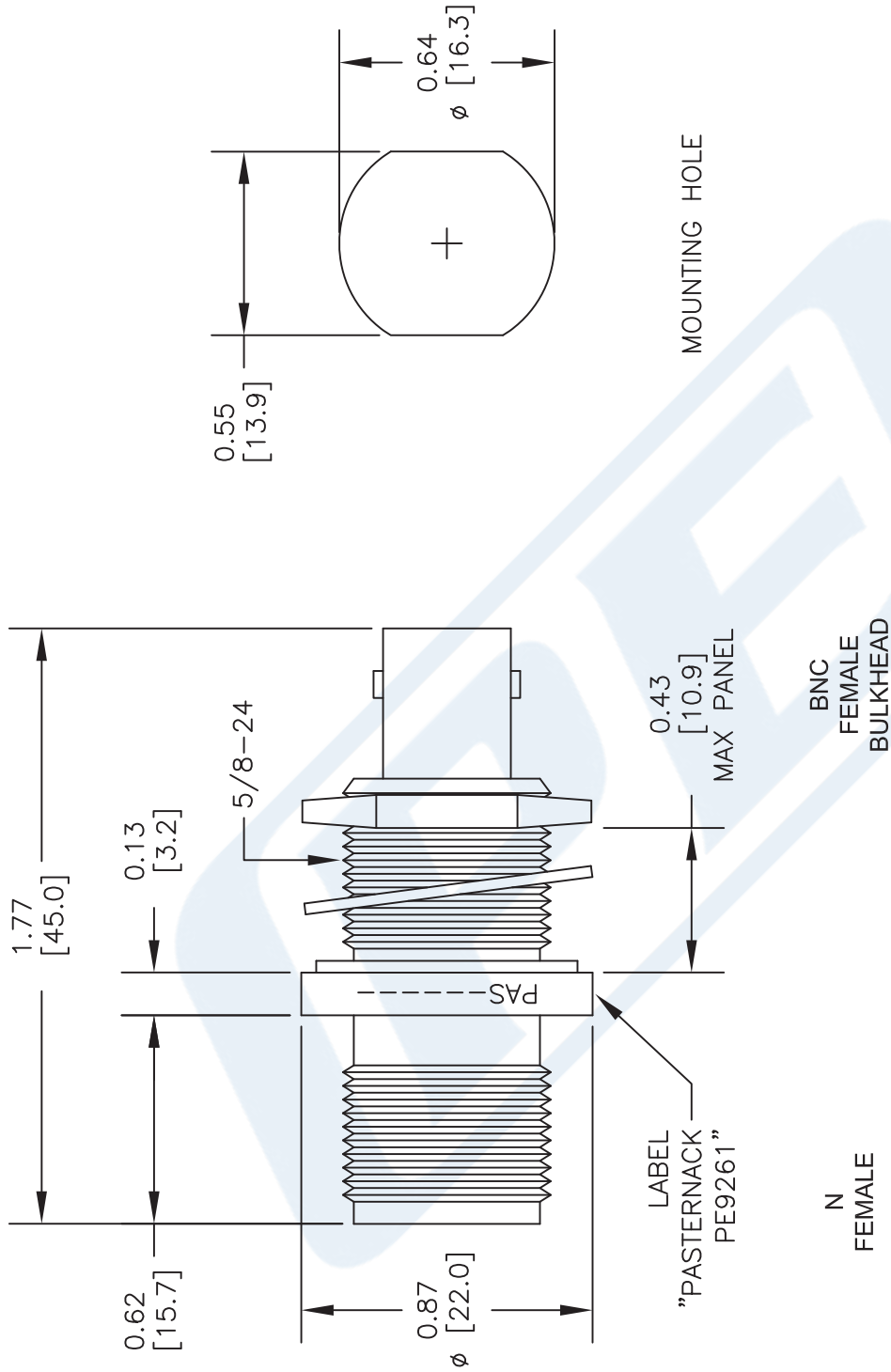
Click the following link (or enter part number in "SEARCH" on website) to obtain additional part information including price, inventory and certifications: [N Female to BNC Female Bulkhead Adapter PE9261](#)

URL: <https://www.pasternack.com/n-female-bnc-female-straight-adapter-pe9261-p.aspx>

The information contained in this document is accurate to the best of our knowledge and representative of the part described herein. It may be necessary to make modifications to the part and/or the documentation of the part, in order to implement improvements. Pasternack reserves the right to make such changes as required. Unless otherwise stated, all specifications are nominal. Pasternack does not make any representation or warranty regarding the suitability of the part described herein for any particular purpose, and Pasternack does not assume any liability arising out of the use of any part or documentation.

PE9261 CAD Drawing

N Female to BNC Female Bulkhead Adapter



STANDARD TOLERANCES

- .X ±0.2
- .XX ±0.1
- .XXX ±0.05

*STANDARD TOLERANCES APPLY ONLY TO DIMENSIONS IN INCHES



Pasternack Enterprises, Inc.
 P.O. Box 16759 | Irvine | CA | 92623
Phone: (949) 261-1920 | **Fax:** (949) 261-7451
Website: www.pasternack.com | **E-Mail:** sales@pasternack.com

DWG TITLE

PE9261

FSCM NO. 53919

NOTES:
 1. UNLESS OTHERWISE SPECIFIED ALL DIMENSIONS ARE NOMINAL.
 2. ALL SPECIFICATIONS ARE SUBJECT TO CHANGE WITHOUT NOTICE AT ANY TIME.
 3. DIMENSIONS ARE IN INCHES [mm].

CAD FILE 061316

SCALE N/A

SIZE A

2233