



50 Ohm BNC Male to 75 Ohm SMC Plug Adapter

TECHNICAL DATA SHEET

PE9234

50 Ohm BNC Male to 75 Ohm SMC Plug Adapter

Configuration

Connector 1	BNC Male
Impedance 1	50 Ohms
Connector 2	SMC Plug
Impedance 2	75 Ohms
Adapter Design	Standard
Body Style	Straight

Mechanical Specifications

Temperature

Operating Range, deg C	-65 to +165
------------------------	-------------

Size

Length, in [mm]	1.128 [28.65]
Width/Dia., in [mm]	0.57 [14.48]

Connector 1

Type	BNC Male
Inner Conductor Material and Plating	Gold
Inner Conductor Plating Specification	MIL-G-45204
Coupling Nut Material and Plating	Brass, Nickel
Body Material and Plating	Brass, Nickel
Dielectric Type	Teflon

Connector 2

Type	SMC Plug
Inner Conductor Material and Plating	Gold
Inner Conductor Plating Specification	MIL-G-45204
Coupling Nut Material and Plating	Brass, Nickel
Hex Size, in.	3/8
Torque, in-lbs [Nm]	5 [0.57]
Body Material and Plating	Brass, Nickel
Dielectric Type	Teflon

Compliance Certifications (visit www.Pasternack.com for current document)

RoHS Compliant	Yes
----------------	-----

Click the following link (or enter part number in "SEARCH" on website) to obtain additional part information including price, inventory and certifications: [50 Ohm BNC Male to 75 Ohm SMC Plug Adapter PE9234](#)

The information contained in this document is accurate to the best of our knowledge and representative of the part described herein. It may be necessary to make modifications to the part and/or the documentation of the part, in order to implement improvements. Pasternack reserves the right to make such changes as required. Unless otherwise stated, all specifications are nominal.





50 Ohm BNC Male to 75 Ohm SMC Plug Adapter

TECHNICAL DATA SHEET

PE9234

Plotted and Other Data

Notes:

Values at 25 °C, sea level

50 Ohm BNC Male to 75 Ohm SMC Plug Adapter from Pasternack Enterprises has same day shipment for domestic and International orders. Our RF, microwave and fiber optic products maintain a 99% availability and are part of the broadest selection in the industry.

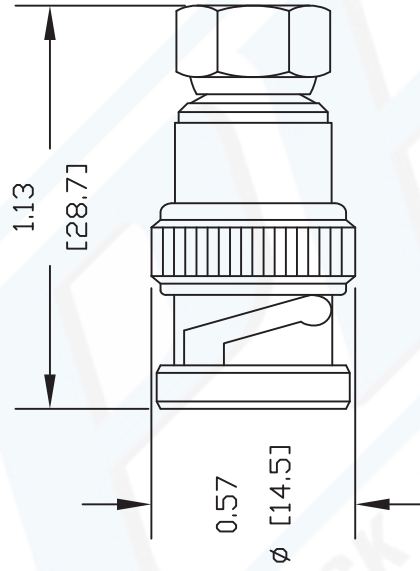
Click the following link (or enter part number in "SEARCH" on website) to obtain additional part information including price, inventory and certifications: [50 Ohm BNC Male to 75 Ohm SMC Plug Adapter PE9234](#)

URL: <http://www.pasternack.com/smc-plug-bnc-male-straight-adapter-pe9234-p.aspx>

The information contained in this document is accurate to the best of our knowledge and representative of the part described herein. It may be necessary to make modifications to the part and/or the documentation of the part, in order to implement improvements. Pasternack reserves the right to make such changes as required. Unless otherwise stated, all specifications are nominal.

PE9234 CAD Drawing

50 Ohm BNC Male to 75 Ohm SMC Plug Adapter



DWG TITLE

PE9234

NOTES:
1. UNLESS OTHERWISE SPECIFIED ALL DIMENSIONS ARE NOMINAL.
2. ALL SPECIFICATIONS ARE SUBJECT TO CHANGE WITHOUT NOTICE AT ANY TIME.
3. DIMENSIONS ARE IN INCHES [mm].

REV. -

FSCM NO. 53919

CAD FILE 090302

SCALE N/A

SIZE A

127



PASTERNAK®

Pasternack Enterprises, Inc.
P.O. Box 16759 | Irvine | CA | 92623
Phone: (949) 261-1920 | Fax: (949) 261-7451
Website: www.pasternack.com | E-Mail: sales@pasternack.com