



## Precision 7mm Sexless to BNC Male Adapter

### RF Adapters Technical Data Sheet

PE9221

#### Configuration

- 7mm Sexless Connector 1
- BNC Male Connector 2
- 50 Ohms
- Precision Design
- Straight Body Geometry

#### Features

- Max VSWR of 1.15:1 up to 8 GHz
- 7mm Interface compliant with IEEE STD 287
- BNC Interface compliant with MIL-STD-348
- Gold Plated Beryllium Copper Contact

#### Applications

- Allows Connection Between Series
- General Purpose Test
- Precision Test & Measurement

#### Description

Pasternack's PE9221 precision 7mm sexless to BNC male adapter is part of our full line of RF components available for same-day shipping. Our 7mm to BNC adapter has a sexless to male gender configuration in a precision design. PE9221 7mm sexless to BNC male adapter operates to 8 GHz. The Pasternack RF adapter provides excellent VSWR of 1.15:1 maximum.

RF adapters are often used to enable connections between two connector types that would otherwise not mate. Certain adapter configurations can also be used to protect connectors on expensive equipment where the number of connect/disconnect cycles is high. An RF, microwave or millimeter wave adapter is connected to the equipment, and the commonly changed connection is made with the adapter which can be easily replaced when it wears out after high usage; such adapters are referred to as connector savers. Pasternack also offers bulkhead, panel mount, hermetically sealed, reverse polarity, and isolated ground adapter varieties to serve all of your RF, microwave and millimeter wave needs.

#### Electrical Specifications

Description	Minimum	Typical	Maximum	Units
Frequency Range	DC		8	GHz
VSWR			1.15:1	

#### Mechanical Specifications

Size	
Length	1.67 in [42.42 mm]
Width	0.88 in [22.35 mm]
Weight	0.125 lbs [56.7 g]

Description	Connector 1	Connector 2
Type	7mm Sexless	BNC Male
Polarity	Standard	Standard
Interface Specification	IEEE STD 287	MIL-STD-348

Click the following link (or enter part number in "SEARCH" on website) to obtain additional part information including price, inventory and certifications: [Precision 7mm Sexless to BNC Male Adapter PE9221](#)



Precision 7mm Sexless to BNC Male Adapter

RF Adapters Technical Data Sheet

PE9221

**Material Specifications**

Description	Connector 1		Connector 2	
	Material	Plating	Material	Plating
Type	7mm Sexless		BNC Male	
Contact	Beryllium Copper	Gold	Beryllium Copper	Gold
Body	Passivated Stainless Steel		Brass	Nickel
Coupling Nut	Passivated Stainless Steel		Brass	Nickel

**Environmental Specifications**

**Temperature**

Operating Range -65 to +125 deg C

**Compliance Certifications** (see [product page](#) for current document)

**Plotted and Other Data**

Notes:

**Typical Performance Data**



Click the following link (or enter part number in "SEARCH" on website) to obtain additional part information including price, inventory and certifications: [Precision 7mm Sexless to BNC Male Adapter PE9221](#)





## Precision 7mm Sexless to BNC Male Adapter

### RF Adapters Technical Data Sheet

PE9221

Precision 7mm Sexless to BNC Male Adapter from Pasternack Enterprises has same day shipment for domestic and International orders. Our RF, microwave and millimeter wave products maintain a 99% availability and are part of the broadest selection in the industry.

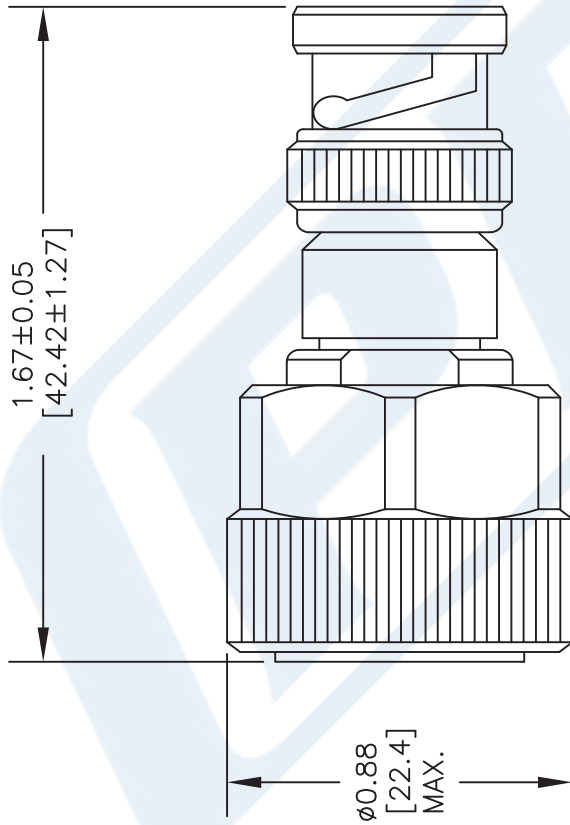
Click the following link (or enter part number in "SEARCH" on website) to obtain additional part information including price, inventory and certifications: [Precision 7mm Sexless to BNC Male Adapter PE9221](https://www.pasternack.com/7mm-sexless-bnc-male-straight-adapter-pe9221-p.aspx)

URL: <https://www.pasternack.com/7mm-sexless-bnc-male-straight-adapter-pe9221-p.aspx>

The information contained in this document is accurate to the best of our knowledge and representative of the part described herein. It may be necessary to make modifications to the part and/or the documentation of the part, in order to implement improvements. Pasternack reserves the right to make such changes as required. Unless otherwise stated, all specifications are nominal. Pasternack does not make any representation or warranty regarding the suitability of the part described herein for any particular purpose, and Pasternack does not assume any liability arising out of the use of any part or documentation.

# PE9221 CAD Drawing

## Precision 7mm Sexless to BNC Male Adapter



NOTES:  
 1. UNLESS OTHERWISE SPECIFIED ALL DIMENSIONS ARE NOMINAL.  
 2. ALL SPECIFICATIONS ARE SUBJECT TO CHANGE WITHOUT NOTICE AT ANY TIME.  
 3. DIMENSIONS ARE IN INCHES [mm].

DWG TITLE  
**PE9221**

CAD FILE 011816 SCALE N/A SIZE A 150

FSCM NO. 53919

**PE PASTERNAK**  
 THE ENGINEER'S RF SOURCE  
 Pasternack Enterprises, Inc.  
 P.O. Box 16759 | Irvine | CA | 92623  
 Phone: (949) 261-1920 | Fax: (949) 261-7451  
 Website: www.pasternack.com | E-Mail: sales@pasternack.com