



N Female to 7/16 DIN Male Adapter

TECHNICAL DATA SHEET

PE9179

N Female to 7/16 DIN Male Adapter

Configuration

Connector 1	N Female
Connector Specification 1	MIL-STD-348
Connector 2	7/16 DIN Male
Connector Specification 2	IEC 169-4
Adapter Design	Standard
Body Style	Straight

Electrical Specifications

Frequency Range, GHz	DC to 8
Impedance, Ohms	50
Maximum VSWR	1.22:1
Dielectric Withstanding Voltage, Vrms	2,500

Frequency 1

Frequency, MHz	DC to 1,000
VSWR	1.03:1

Frequency 2

Frequency, GHz	1 to 4
VSWR	1.12:1

Frequency 3

Frequency, GHz	4 to 8
VSWR	1.22:1

Mechanical Specifications

Temperature

Operating Range, deg C	-40 to +155
------------------------	-------------

Size

Length, in [mm]	2.27 [57.66]
Width/Dia., in [mm]	1.25 [31.75]
Dielectric Type	PTFE

Connector 1

Type	N Female
Mating Cycles	500
Inner Conductor Material and Plating	Beryllium Copper, Gold
Body Material and Plating	Brass, Nickel

Click the following link (or enter part number in "SEARCH" on website) to obtain additional part information including price, inventory and certifications: [N Female to 7/16 DIN Male Adapter PE9179](#)

The information contained in this document is accurate to the best of our knowledge and representative of the part described herein. It may be necessary to make modifications to the part and/or the documentation of the part, in order to implement improvements. Pasternack reserves the right to make such changes as required. Unless otherwise stated, all specifications are nominal.





N Female to 7/16 DIN Male Adapter

TECHNICAL DATA SHEET

PE9179

Connector 2

Type	7/16 DIN Male
Mating Cycles	500
Inner Conductor Material and Plating	Beryllium Copper, Gold
Coupling Nut Material and Plating	Brass, Nickel
Hex Size, mm	32
Torque, in-lbs [Nm]	18 [24.41]
Body Material and Plating	Brass, Nickel

Compliance Certifications (visit www.Pasternack.com for current document)

RoHS Compliant	Yes
----------------	-----

Plotted and Other Data

Notes:	Values at 25 °C, sea level
--------	----------------------------

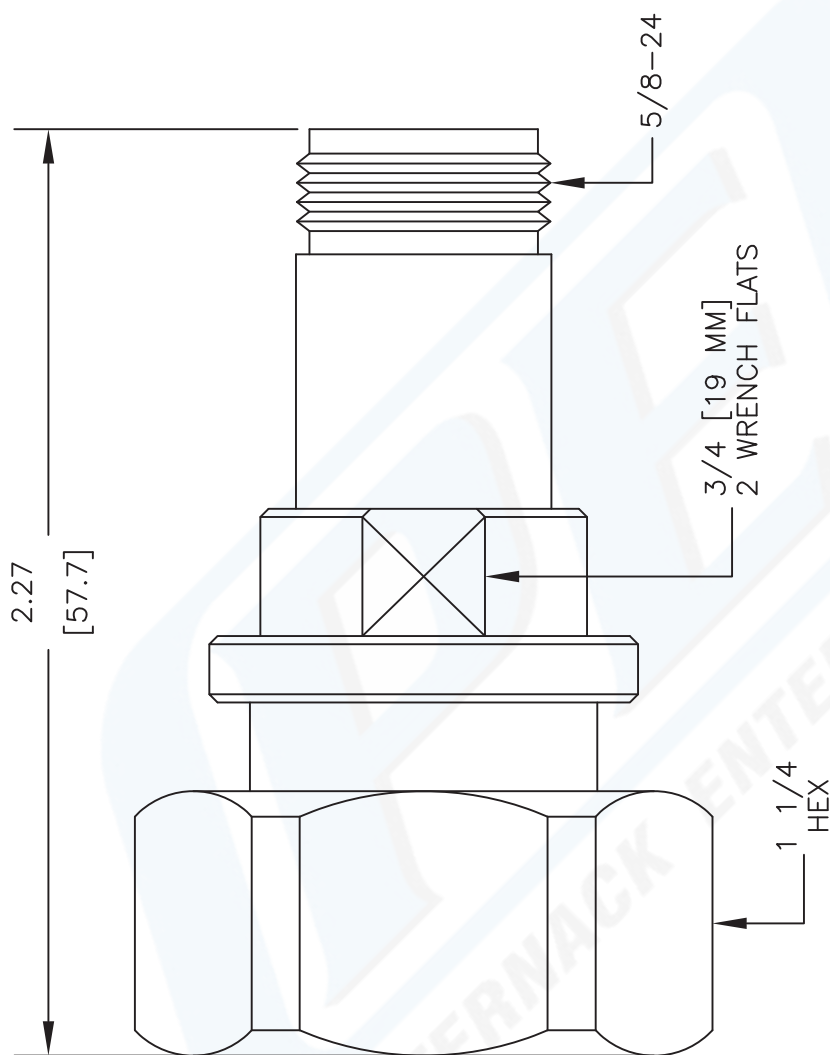
URL: <http://www.pasternack.com/n-female-7-16-male-straight-adapter-pe9179-p.aspx>

N Female to 7/16 DIN Male Adapter from Pasternack Enterprises has same day shipment for domestic and International orders. Our RF, microwave and fiber optic products maintain a 99% availability and are part of the broadest selection in the industry.

The information contained in this document is accurate to the best of our knowledge and representative of the part described herein. It may be necessary to make modifications to the part and/or the documentation of the part, in order to implement improvements. Pasternack reserves the right to make such changes as required. Unless otherwise stated, all specifications are nominal.

PE9179 CAD Drawing

N Female to 7/16 DIN Male Adapter



DWG TITLE

PE9179

NOTES:
 1. UNLESS OTHERWISE SPECIFIED ALL DIMENSIONS ARE NOMINAL.
 2. ALL SPECIFICATIONS ARE SUBJECT TO CHANGE WITHOUT NOTICE AT ANY TIME.
 3. DIMENSIONS ARE IN INCHES [mm].

REV. D

FSCM NO. 53919

CAD FILE 051512

SCALE N/A

SIZE A

2231



PASTERNAK®

Pasternack Enterprises, Inc.
 P.O. Box 16759 | Irvine | CA | 92623
 Phone: (949) 261-1920 | Fax: (949) 261-7451
 Website: www.pasternack.com | E-Mail: sales@pasternack.com