



## 75 Ohm F Female to RCA Plug Adapter

### RF Adapters Technical Data Sheet

PE9163

#### Configuration

- F Female Connector 1
- RCA Plug Connector 2
- 75 Ohms
- Straight Body Geometry

#### Features

- Tin / Nickel Plated Brass Contact

#### Applications

- Allows Connection Between Series
- General Purpose Test

#### Description

Pasternack's PE9163 75 ohm type F to RCA plug adapter is part of our full line of RF components available for same-day shipping. Our type F to RCA adapter has a female to plug gender configuration.

RF adapters are often used to enable connections between two connector types that would otherwise not mate. Certain adapter configurations can also be used to protect connectors on expensive equipment where the number of connect/disconnect cycles is high. An RF, microwave or millimeter wave adapter is connected to the equipment, and the commonly changed connection is made with the adapter which can be easily replaced when it wears out after high usage; such adapters are referred to as connector savers. Pasternack also offers bulkhead, panel mount, hermetically sealed, reverse polarity, and isolated ground adapter varieties to serve all of your RF, microwave and millimeter wave needs.

#### Mechanical Specifications

##### Size

Length	1.484 in [37.69 mm]
Width	0.413 in [10.49 mm]
Weight	0.027 lbs [12.25 g]

Description	Connector 1	Connector 2
Type	F Female	RCA Plug
Polarity	Standard	Standard

#### Material Specifications

Description	Connector 1		Connector 2	
	Material	Plating	Material	Plating
Type	F Female		RCA Plug	
Contact	Brass	Tin	Brass	Nickel
Insulation	ABS		ABS	
Outer Conductor	Brass	Nickel		
Body			Brass	Nickel

Click the following link (or enter part number in "SEARCH" on website) to obtain additional part information including price, inventory and certifications: [75 Ohm F Female to RCA Plug Adapter PE9163](#)



## 75 Ohm F Female to RCA Plug Adapter

### RF Adapters Technical Data Sheet

PE9163

Coupling Nut

Brass

Nickel

#### Compliance Certifications (see [product page](#) for current document)

75 Ohm F Female to RCA Plug Adapter from Pasternack Enterprises has same day shipment for domestic and International orders. Our RF, microwave and millimeter wave products maintain a 99% availability and are part of the broadest selection in the industry.

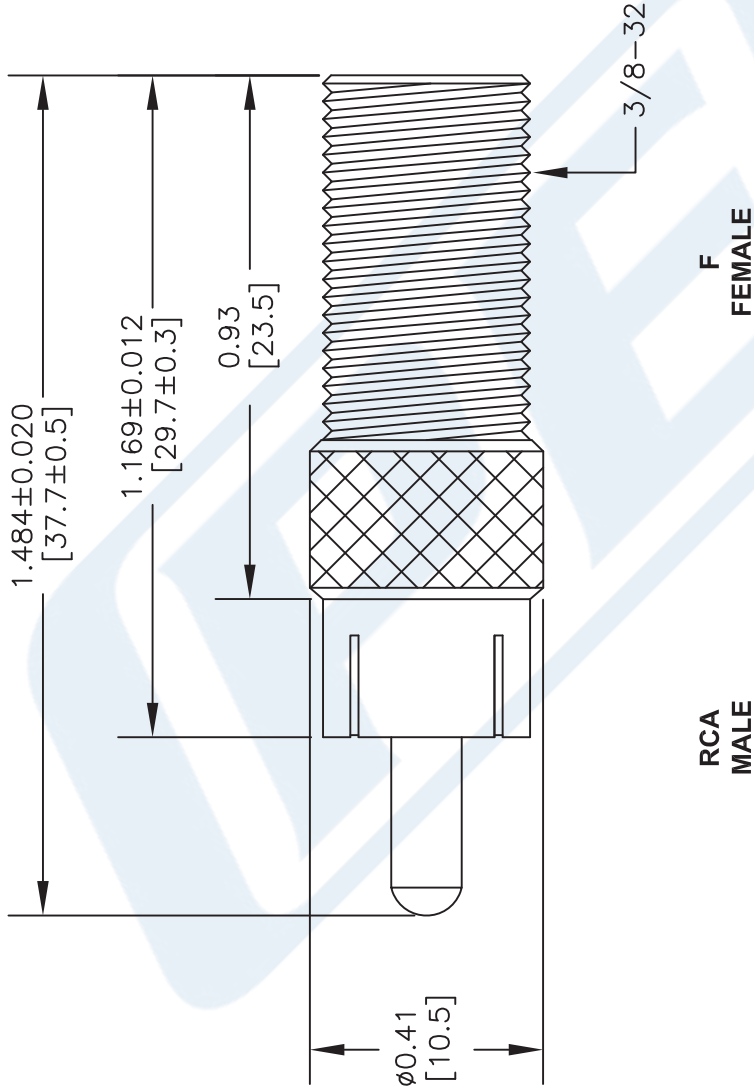
Click the following link (or enter part number in "SEARCH" on website) to obtain additional part information including price, inventory and certifications: [75 Ohm F Female to RCA Plug Adapter PE9163](#)

URL: <https://www.pasternack.com/f-female-rca-plug-straight-adapter-pe9163-p.aspx>

The information contained in this document is accurate to the best of our knowledge and representative of the part described herein. It may be necessary to make modifications to the part and/or the documentation of the part, in order to implement improvements. Pasternack reserves the right to make such changes as required. Unless otherwise stated, all specifications are nominal. Pasternack does not make any representation or warranty regarding the suitability of the part described herein for any particular purpose, and Pasternack does not assume any liability arising out of the use of any part or documentation.

# PE9163 CAD Drawing

## 75 Ohm F Female to RCA Plug Adapter



**STANDARD TOLERANCES**

.X ±0.2  
 .XX ±0.1  
 .XXX ±0.05

\*STANDARD TOLERANCES APPLY ONLY TO DIMENSIONS IN INCHES



Pasternack Enterprises, Inc.  
 P.O. Box 16759 | Irvine | CA | 92623  
**Phone:** (949) 261-1920 | **Fax:** (949) 261-7451  
**Website:** www.pasternack.com | **E-Mail:** sales@pasternack.com

DWG TITLE

**PE9163**

NOTES:  
 1. UNLESS OTHERWISE SPECIFIED ALL DIMENSIONS ARE NOMINAL.  
 2. ALL SPECIFICATIONS ARE SUBJECT TO CHANGE WITHOUT NOTICE AT ANY TIME.  
 3. DIMENSIONS ARE IN INCHES [mm].

FSCM NO. 53919

CAD FILE 022416

SCALE N/A

SIZE A

3045