



Slide-On BMA Plug to SMA Female Adapter

RF Adapters Technical Data Sheet

PE91398

Configuration

- Slide-On BMA Plug Connector 1
- SMA Female Connector 2
- 50 Ohm
- Straight Body Geometry

Features

- Max VSWR of 1.15:1 up to 18 GHz
- Gold Plated Beryllium Copper Contact
- Low-Engagement Force

Applications

- Allows Connection Between Series
- Rack and Panel
- RF Backplanes
- General Purpose Test
- Phased Array Systems
- Test I/O
- Blind Mating
- Base Stations

Description

Pasternack's PE91398 slide-on BMA plug to SMA female adapter is part of our full line of RF components available for same-day shipping. Our BMA to SMA adapter has a plug to female gender configuration built of durable stainless steel. PE91398 BMA plug to SMA female adapter operates to 18 GHz. The Pasternack RF adapter provides excellent VSWR of 1.15:1 maximum.

RF adapters are often used to enable connections between two connector types that would otherwise not mate. Certain adapter configurations can also be used to protect connectors on expensive equipment where the number of connect/disconnect cycles is high. An RF, microwave or millimeter wave adapter is connected to the equipment, and the commonly changed connection is made with the adapter which can be easily replaced when it wears out after high usage; such adapters are referred to as connector savers. Pasternack also offers bulkhead, panel mount, hermetically sealed, reverse polarity, and isolated ground adapter varieties to serve all of your RF, microwave and millimeter wave needs.

Electrical Specifications

Description	Minimum	Typical	Maximum	Units
Frequency Range	DC		18	GHz
VSWR			1.15:1	
Operating Voltage (AC)			350	Vrms
Dielectric Withstanding Voltage (AC)			1,000	Vrms
Insulation Resistance	5,000			MOhms

Mechanical Specifications

Size	
Length	0.535 in [13.59 mm]
Width	0.3 in [7.62 mm]
Weight	0.009 lbs [4.08 g]

Click the following link (or enter part number in "SEARCH" on website) to obtain additional part information including price, inventory and certifications: [Slide-On BMA Plug to SMA Female Adapter PE91398](#)



Slide-On BMA Plug to SMA Female Adapter

RF Adapters Technical Data Sheet

PE91398

Description	Connector 1	Connector 2
Type	BMA Plug	SMA Female
Polarity	Standard	Standard
Contact Retention Force, Min	6.07 lbs [2.75 Kg]	

Mechanical Specification Notes:

Recommended axial float mount for best electrical performance: 0.51 +/- 0.25 mm (.020" +/- .010)

Material Specifications

Description	Connector 1		Connector 2	
	Material	Plating	Material	Plating
Type	Slide-On BMA Plug		SMA Female	
Contact	Beryllium Copper	Gold	Beryllium Copper	Gold
Insulation	PTFE		PTFE	
Outer Conductor	Passivated Stainless Steel		Passivated Stainless Steel	
Body	Passivated Stainless Steel		Passivated Stainless Steel	

Environmental Specifications

Temperature

Operating Range -65 to +125 deg C

Compliance Certifications (see [product page](#) for current document)

Plotted and Other Data

Notes:

Click the following link (or enter part number in "SEARCH" on website) to obtain additional part information including price, inventory and certifications: [Slide-On BMA Plug to SMA Female Adapter PE91398](#)





Slide-On BMA Plug to SMA Female Adapter

RF Adapters Technical Data Sheet

PE91398

Slide-On BMA Plug to SMA Female Adapter from Pasternack Enterprises has same day shipment for domestic and International orders. Our RF, microwave and millimeter wave products maintain a 99.4% availability and are part of the broadest selection in the industry.

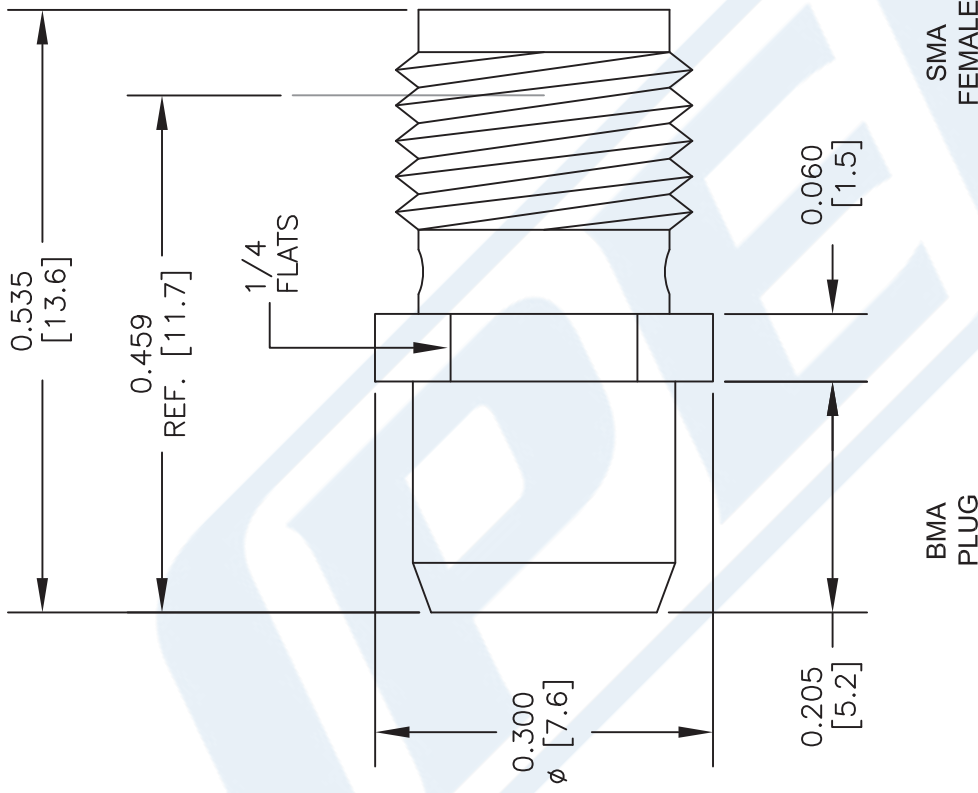
Click the following link (or enter part number in "SEARCH" on website) to obtain additional part information including price, inventory and certifications: [Slide-On BMA Plug to SMA Female Adapter PE91398](https://www.pasternack.com/bma-plug-sma-female-straight-adapter-pe91398-p.aspx)

URL: <https://www.pasternack.com/bma-plug-sma-female-straight-adapter-pe91398-p.aspx>

The information contained in this document is accurate to the best of our knowledge and representative of the part described herein. It may be necessary to make modifications to the part and/or the documentation of the part, in order to implement improvements. Pasternack reserves the right to make such changes as required. Unless otherwise stated, all specifications are nominal. Pasternack does not make any representation or warranty regarding the suitability of the part described herein for any particular purpose, and Pasternack does not assume any liability arising out of the use of any part or documentation.

PE91398 CAD Drawing

Slide-On BMA Plug to SMA Female Adapter



STANDARD TOLERANCES

.X ±0.2
 .XX ±0.1
 .XXX ±0.05

*STANDARD TOLERANCES APPLY ONLY TO DIMENSIONS IN INCHES

PE PASTERNAK®
 THE ENGINEER'S RF SOURCE
 Pasternack Enterprises, Inc.
 P.O. Box 16759 | Irvine | CA | 92623
Phone: (949) 261-1920 | **Fax:** (949) 261-7451
Website: www.pasternack.com | **E-Mail:** sales@pasternack.com

DWG TITLE

PE91398

NOTES:
 1. UNLESS OTHERWISE SPECIFIED ALL DIMENSIONS ARE NOMINAL.
 2. ALL SPECIFICATIONS ARE SUBJECT TO CHANGE WITHOUT NOTICE AT ANY TIME.
 3. DIMENSIONS ARE IN INCHES [mm].

CAGE CODE 53919

CAD FILE 020217

SCALE N/A

SIZE A

2233