



Slide-On BMA Jack to SMA Male Adapter

RF Adapters Technical Data Sheet

PE91397

Configuration

- Slide-On BMA Jack Connector 1
- SMA Male Connector 2
- 50 Ohm
- Straight Body Geometry

Features

- Max VSWR of 1.25:1 up to 18 GHz
- 51.18µ in. minimum contact plating
- Gold Plated Beryllium Copper Contact
- Low-Engagement Force

Applications

- Allows Connection Between Series
- General Purpose Test
- Blind Mating
- Rack and Panel
- Phased Array Systems
- Base Stations
- RF Backplanes
- Test I/O

Description

Pasternack's PE91397 slide-on BMA jack to SMA male adapter is part of our full line of RF components available for same-day shipping. Our BMA to SMA adapter has a jack to male gender configuration built of durable stainless steel. PE91397 BMA jack to SMA male adapter operates to 18 GHz. The Pasternack RF adapter provides excellent VSWR of 1.25:1 maximum.

RF adapters are often used to enable connections between two connector types that would otherwise not mate. Certain adapter configurations can also be used to protect connectors on expensive equipment where the number of connect/disconnect cycles is high. An RF, microwave or millimeter wave adapter is connected to the equipment, and the commonly changed connection is made with the adapter which can be easily replaced when it wears out after high usage; such adapters are referred to as connector savers. Pasternack also offers bulkhead, panel mount, hermetically sealed, reverse polarity, and isolated ground adapter varieties to serve all of your RF, microwave and millimeter wave needs.

Electrical Specifications

Description	Minimum	Typical	Maximum	Units
Frequency Range	DC		18	GHz
VSWR			1.25:1	
Insertion Loss			0.3	dB
Operating Voltage (AC)			350	Vrms
Dielectric Withstanding Voltage (AC)			1,000	Vrms
Insulation Resistance	5,000			MOhms

Mechanical Specifications

Size

Length	0.7 in [17.78 mm]
Width	0.315 in [8 mm]
Weight	0.013 lbs [5.9 g]

Click the following link (or enter part number in "SEARCH" on website) to obtain additional part information including price, inventory and certifications: [Slide-On BMA Jack to SMA Male Adapter PE91397](#)





Slide-On BMA Jack to SMA Male Adapter

RF Adapters Technical Data Sheet

PE91397

Description	Connector 1	Connector 2
Type	BMA Jack	SMA Male
Polarity	Standard	Standard
Mating Cycles	500	500
Contact Retention Force, Min	6.07 lbs [2.75 Kg]	

Material Specifications

Description	Connector 1		Connector 2	
	Material	Plating	Material	Plating
Type	Slide-On BMA Jack		SMA Male	
Contact	Beryllium Copper	Gold 51.18µ in. minimum	Beryllium Copper	Gold 51.18µ in. minimum
Insulation	PTFE		PTFE	
Outer Conductor	Beryllium Copper	Gold		
Body	Passivated Stainless Steel		Passivated Stainless Steel	
Gasket	Silicone Rubber		Silicone Rubber	
Coupling Nut			Passivated Stainless Steel	

Environmental Specifications

Temperature

Operating Range -65 to +165 deg C

Compliance Certifications (see [product page](#) for current document)

Plotted and Other Data

Notes:

Click the following link (or enter part number in "SEARCH" on website) to obtain additional part information including price, inventory and certifications: [Slide-On BMA Jack to SMA Male Adapter PE91397](#)



Slide-On BMA Jack to SMA Male Adapter

RF Adapters Technical Data Sheet

PE91397

Slide-On BMA Jack to SMA Male Adapter from Pasternack Enterprises has same day shipment for domestic and International orders. Our RF, microwave and millimeter wave products maintain a 99.4% availability and are part of the broadest selection in the industry.

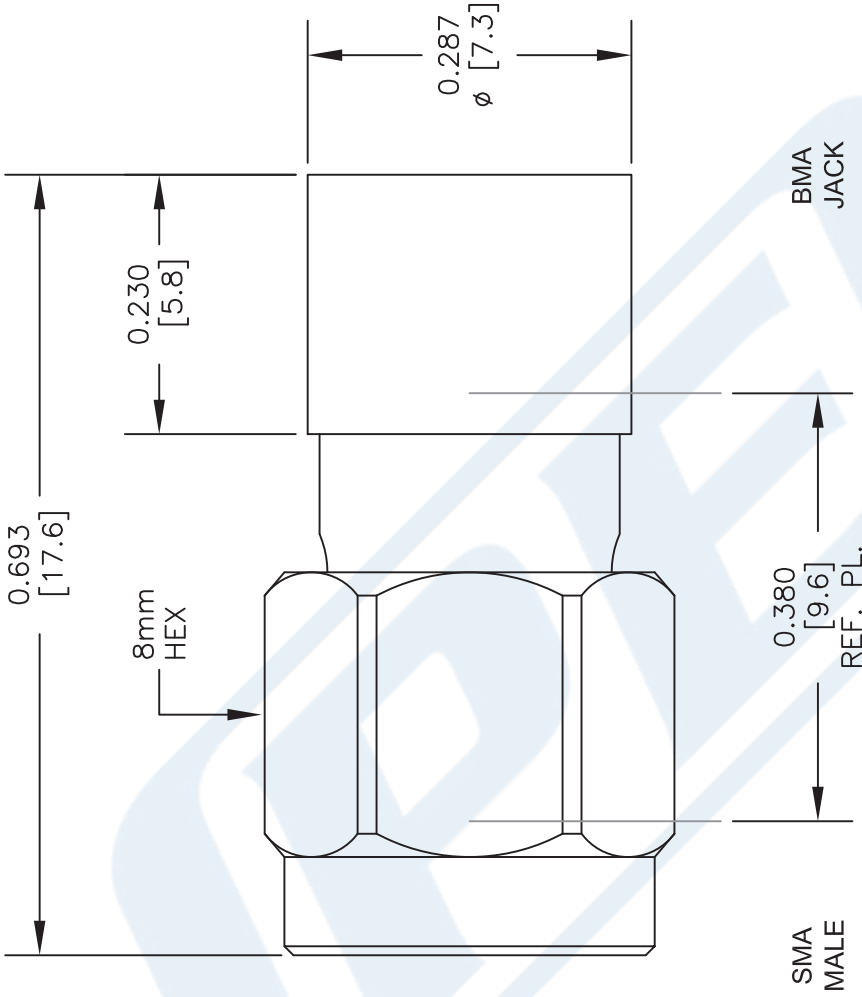
Click the following link (or enter part number in "SEARCH" on website) to obtain additional part information including price, inventory and certifications: [Slide-On BMA Jack to SMA Male Adapter PE91397](#)

URL: <https://www.pasternack.com/bma-jack-sma-male-straight-adapter-pe91397-p.aspx>

The information contained in this document is accurate to the best of our knowledge and representative of the part described herein. It may be necessary to make modifications to the part and/or the documentation of the part, in order to implement improvements. Pasternack reserves the right to make such changes as required. Unless otherwise stated, all specifications are nominal. Pasternack does not make any representation or warranty regarding the suitability of the part described herein for any particular purpose, and Pasternack does not assume any liability arising out of the use of any part or documentation.

PE91397 CAD Drawing

Slide-On BMA Jack to SMA Male Adapter



STANDARD TOLERANCES

.X ±0.2
.XX ±0.1
.XXX ±0.05

*STANDARD TOLERANCES APPLY ONLY TO DIMENSIONS IN INCHES



Pasternack Enterprises, Inc.
P.O. Box 16759 | Irvine | CA | 92623
Phone: (949) 261-1920 | Fax: (949) 261-7451
Website: www.pasternack.com | E-Mail: sales@pasternack.com

DWG TITLE

PE91397

CAGE CODE 53919

NOTES:
1. UNLESS OTHERWISE SPECIFIED ALL DIMENSIONS ARE NOMINAL.
2. ALL SPECIFICATIONS ARE SUBJECT TO CHANGE WITHOUT NOTICE AT ANY TIME.
3. DIMENSIONS ARE IN INCHES [mm].

CAD FILE 020217

SCALE N/A

SIZE A

2233